

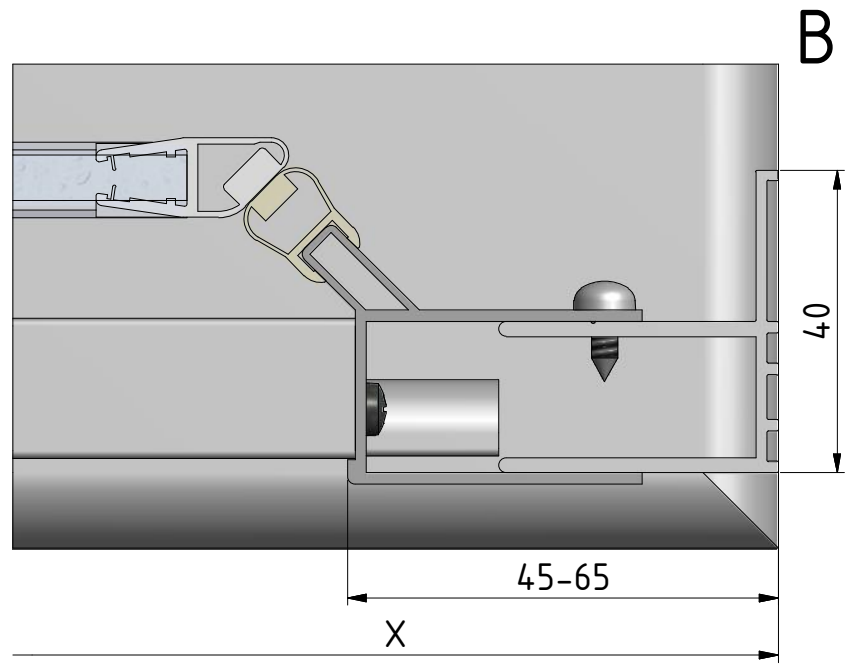
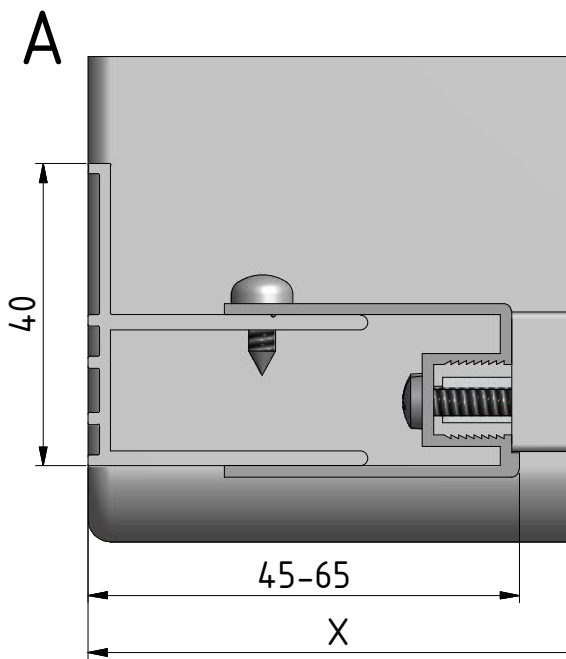
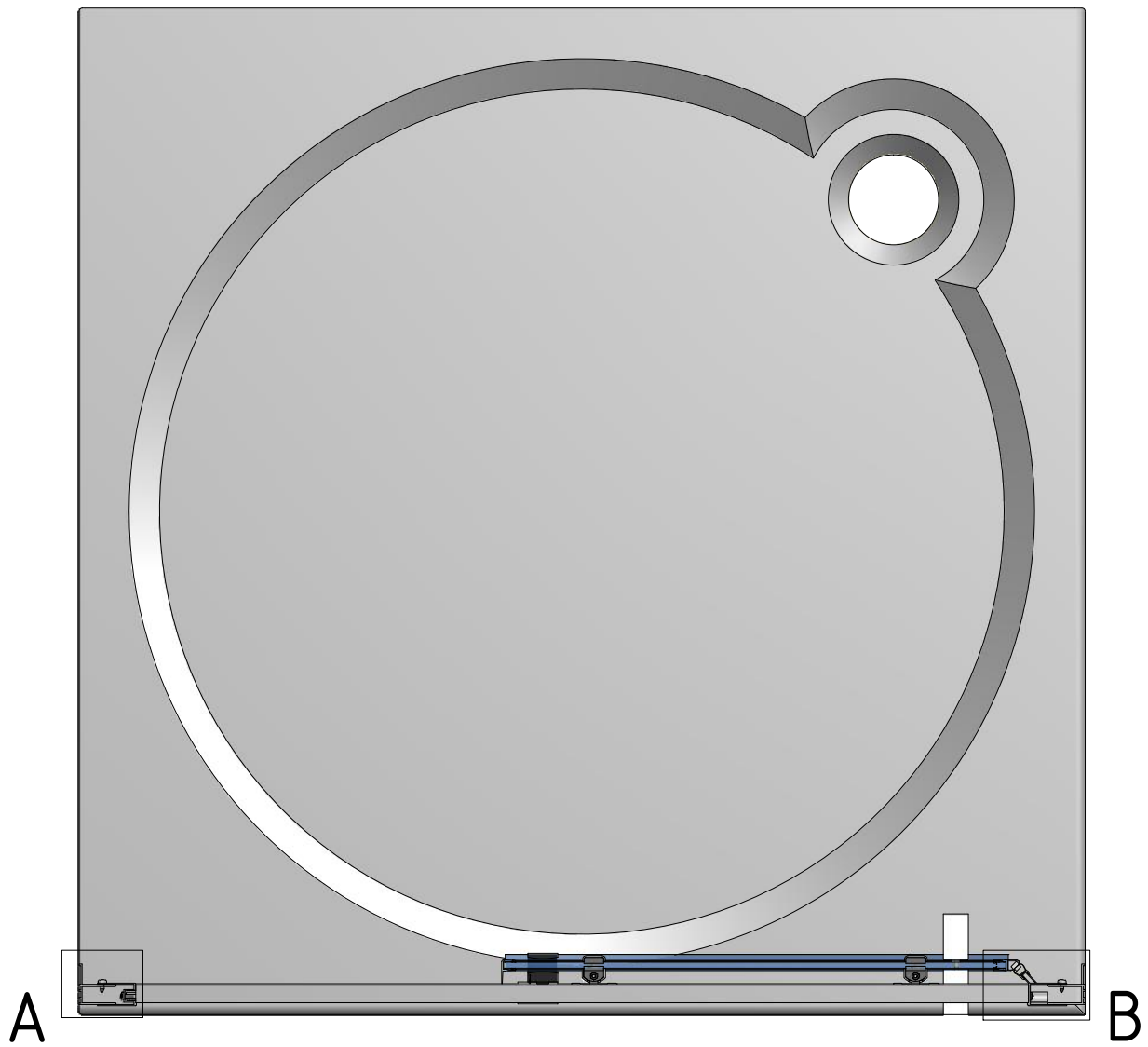
ECD2



Roth Czech s.r.o. • Czech Republic • 569 33 • Třebařov 160
tel.:+420 461 324 301, fax: +420 461 324 297
<http://www.roth-czech.cz>; e-mail: objednavky@roth-czech.cz

2019/11/12

Rev.:06
MA3806

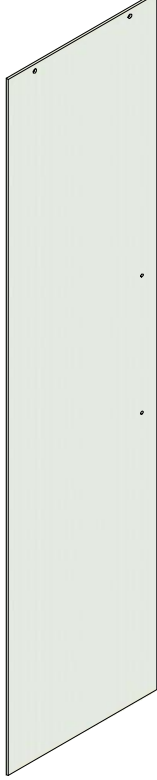


| | X |
|------|-----------|
| 1200 | 1170-1215 |
| 1300 | 1270-1315 |
| 1400 | 1370-1415 |
| 1500 | 1470-1515 |

1. 1x (V156,V157)



3. 1x (V155)



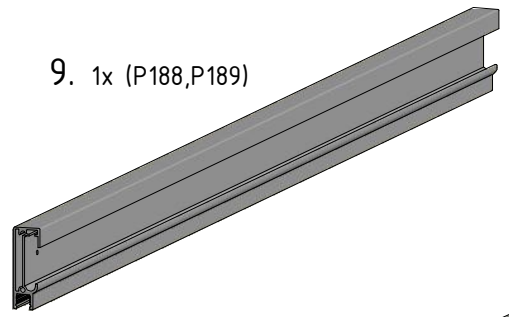
2. 2x (P185)



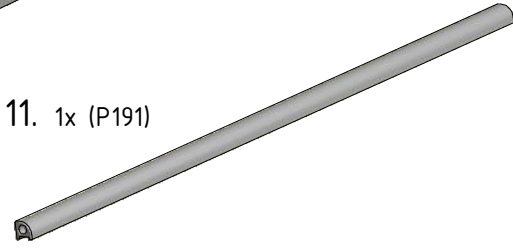
7. 1x (P186,P187)



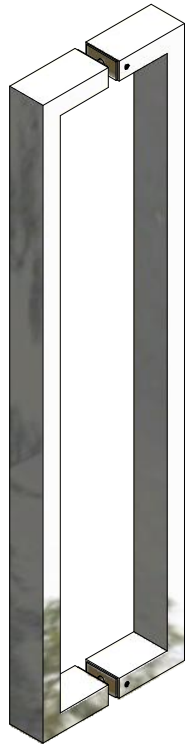
9. 1x (P188,P189)



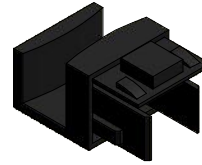
11. 1x (P191)



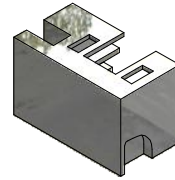
10. 1x (MA2908)



13. 1x (MA2758)



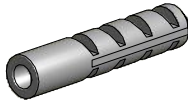
14. 1x (MA2756,MA2757)



6. 12x (M1907)



4. 6x (M0511)



5. 6x (M0795)

Ø3,5x38



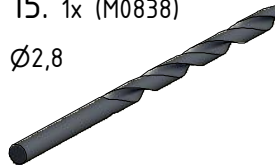
12. 6x (M0806)

Ø3,5x9,5

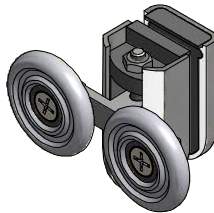


15. 1x (M0838)

Ø2,8



16. 2x (MA3336)



8. 4x (M0794)

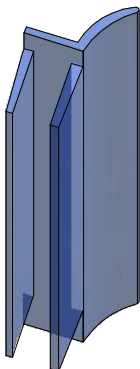
Ø3,5x32



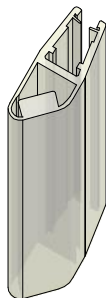
17. 1x (MA3243)



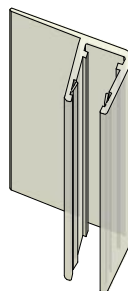
18. 1x



19. 1x (P3582)



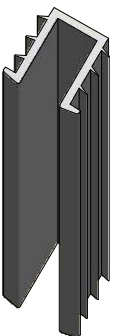
20. P3585+P3584



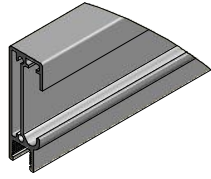
21. 1x (T28)



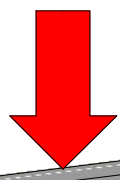
22. 1x (T27)



A1

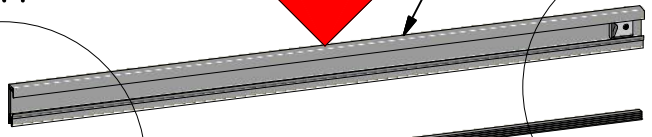


A1



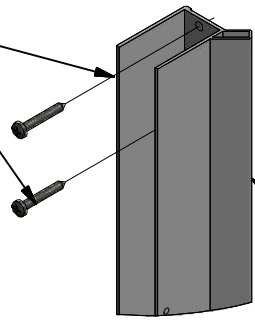
9.

A2



22.

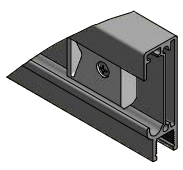
8.



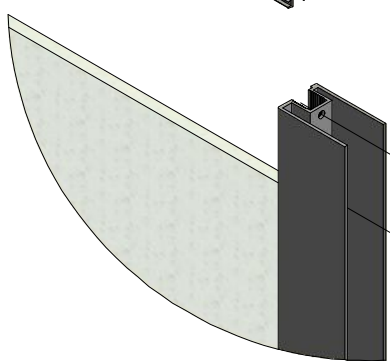
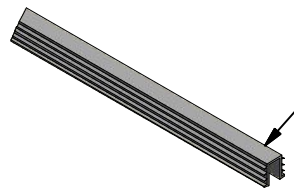
7.

7.

A2

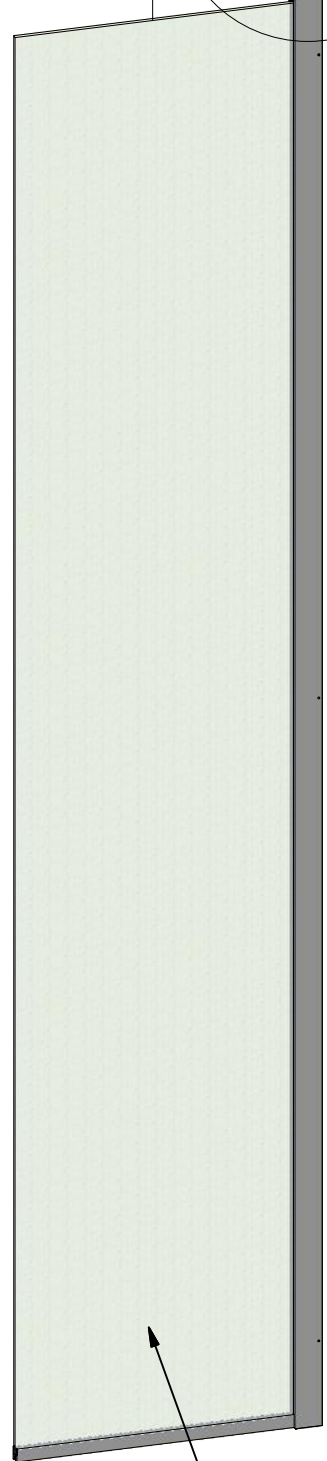


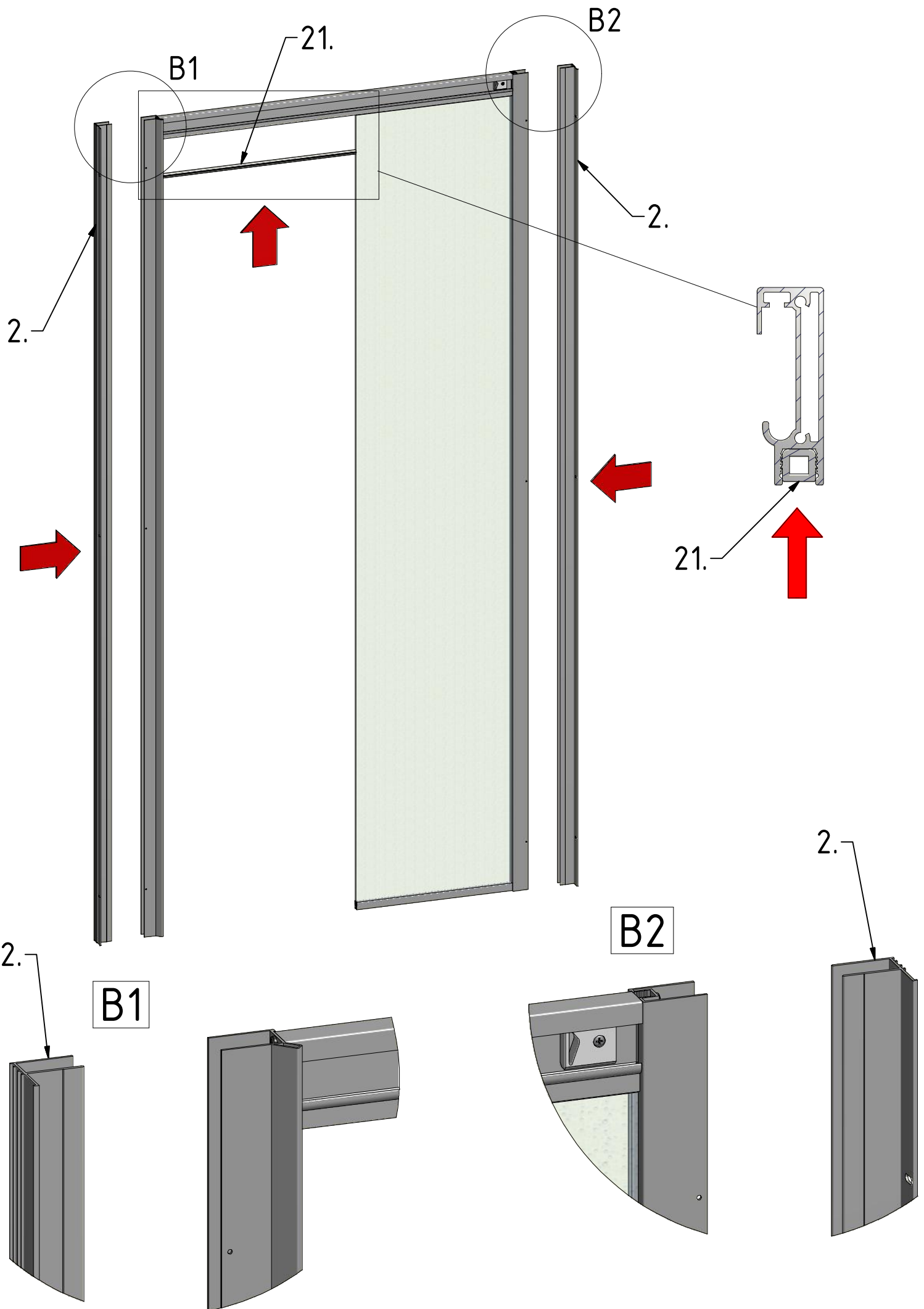
22.



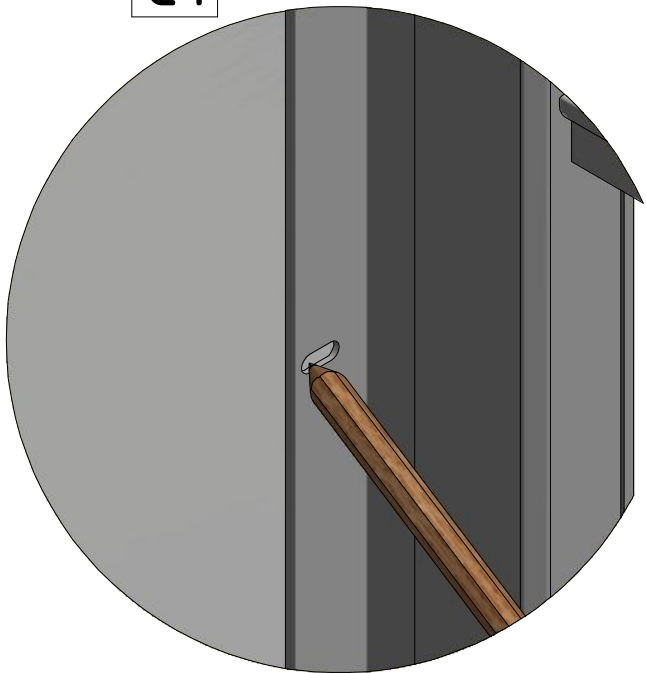
8.

1.

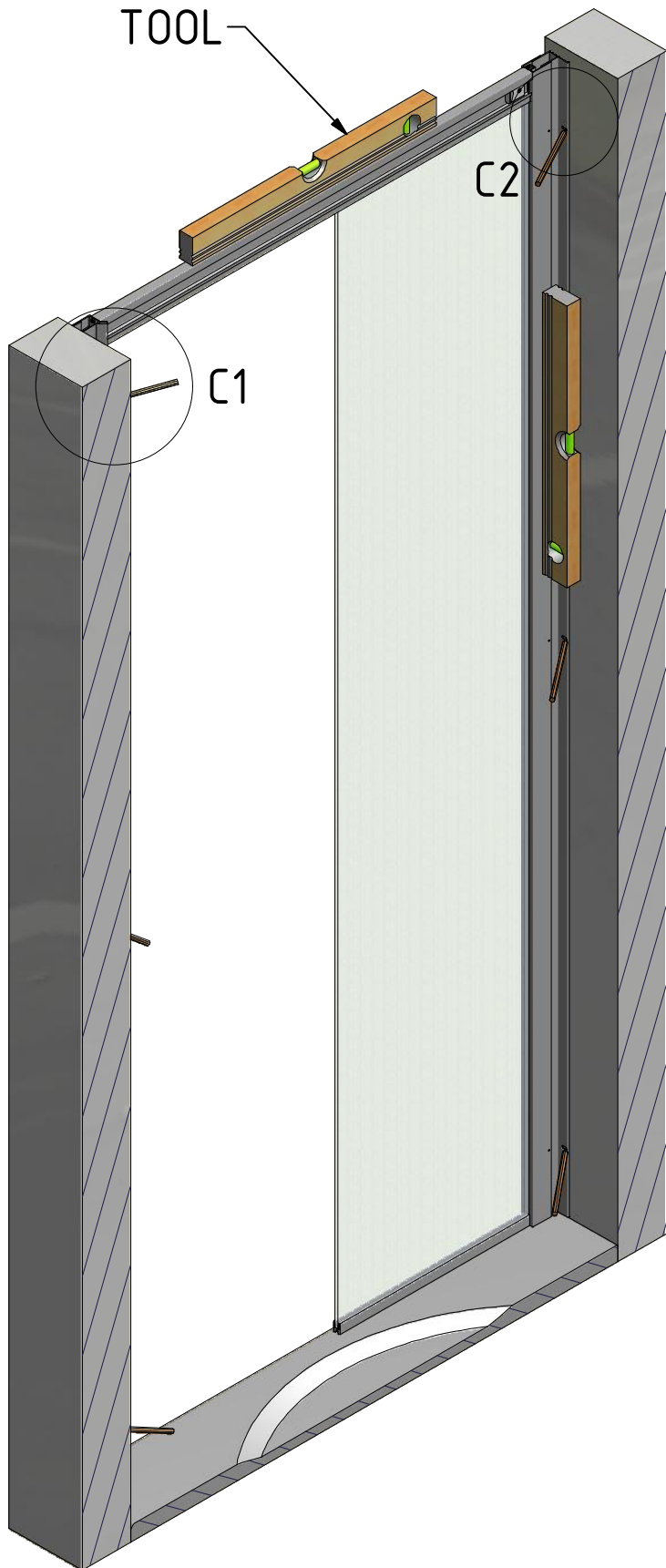




C1

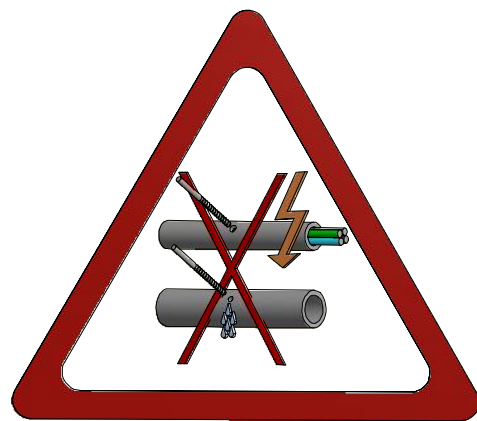
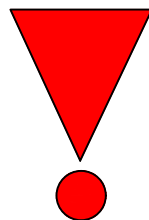
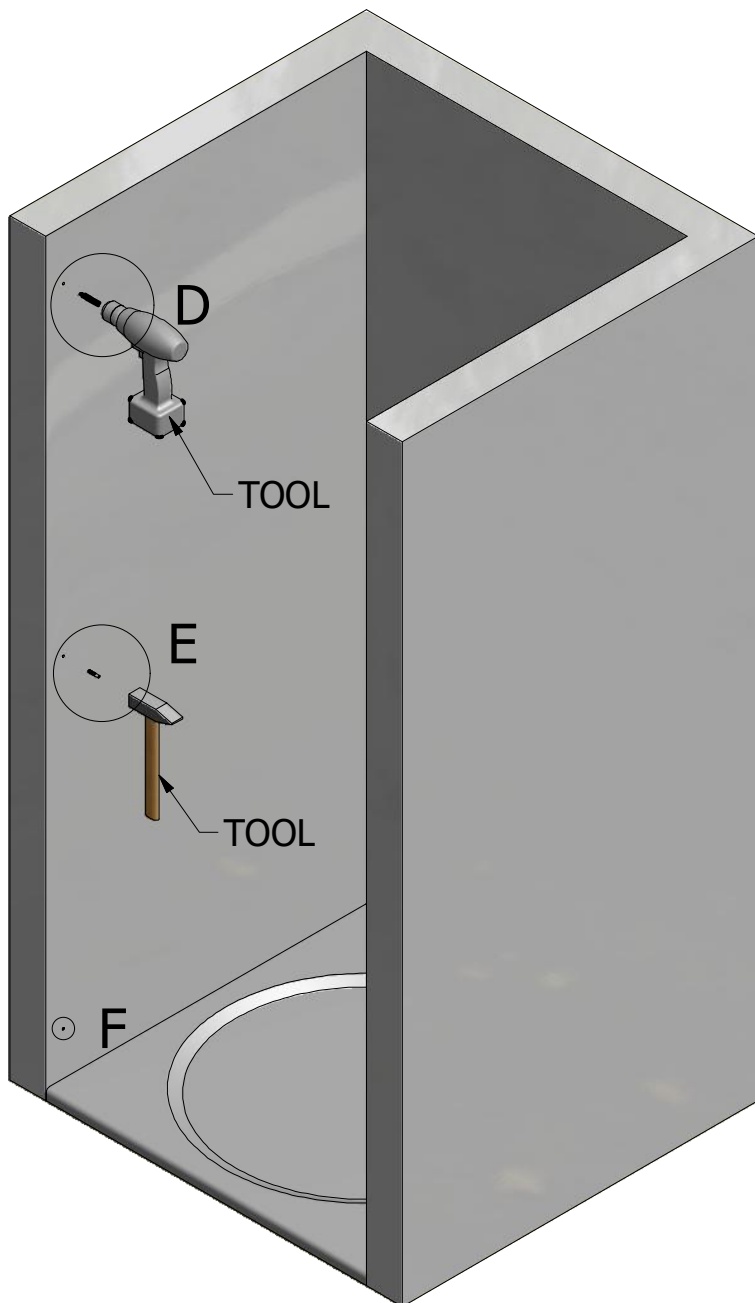


TOOL

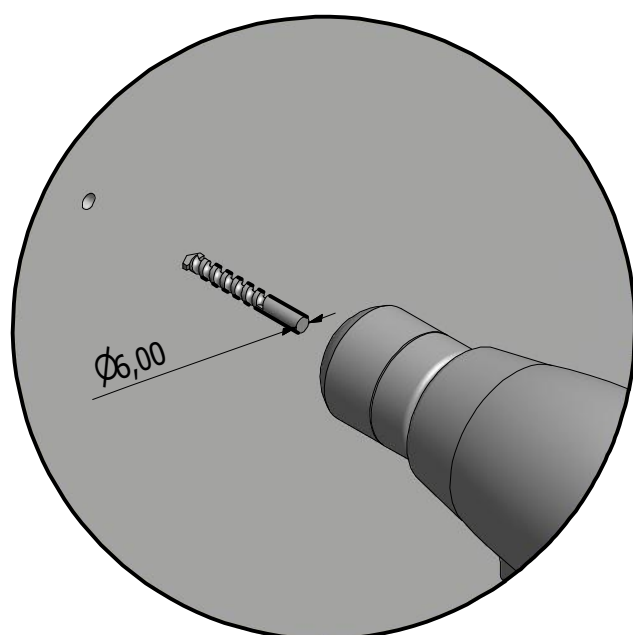


C2



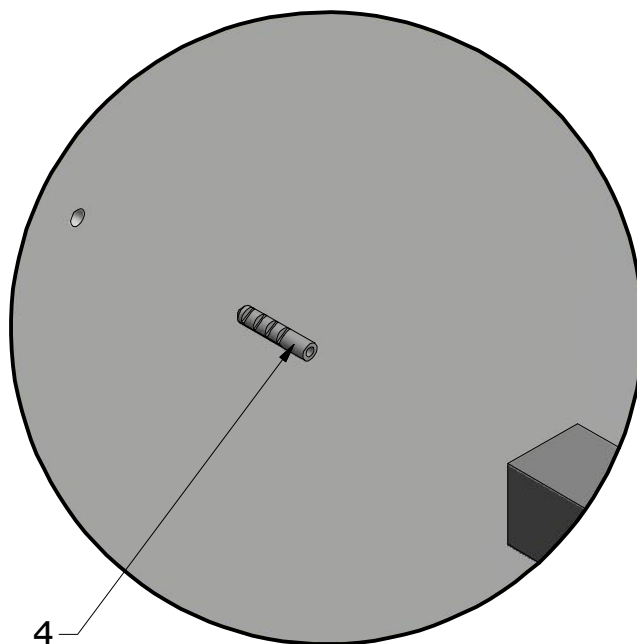
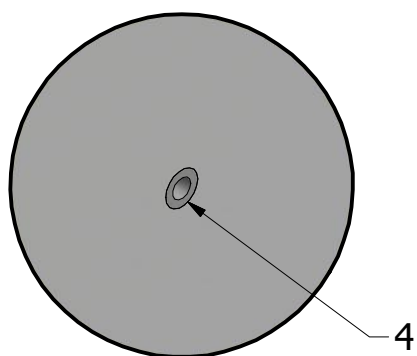


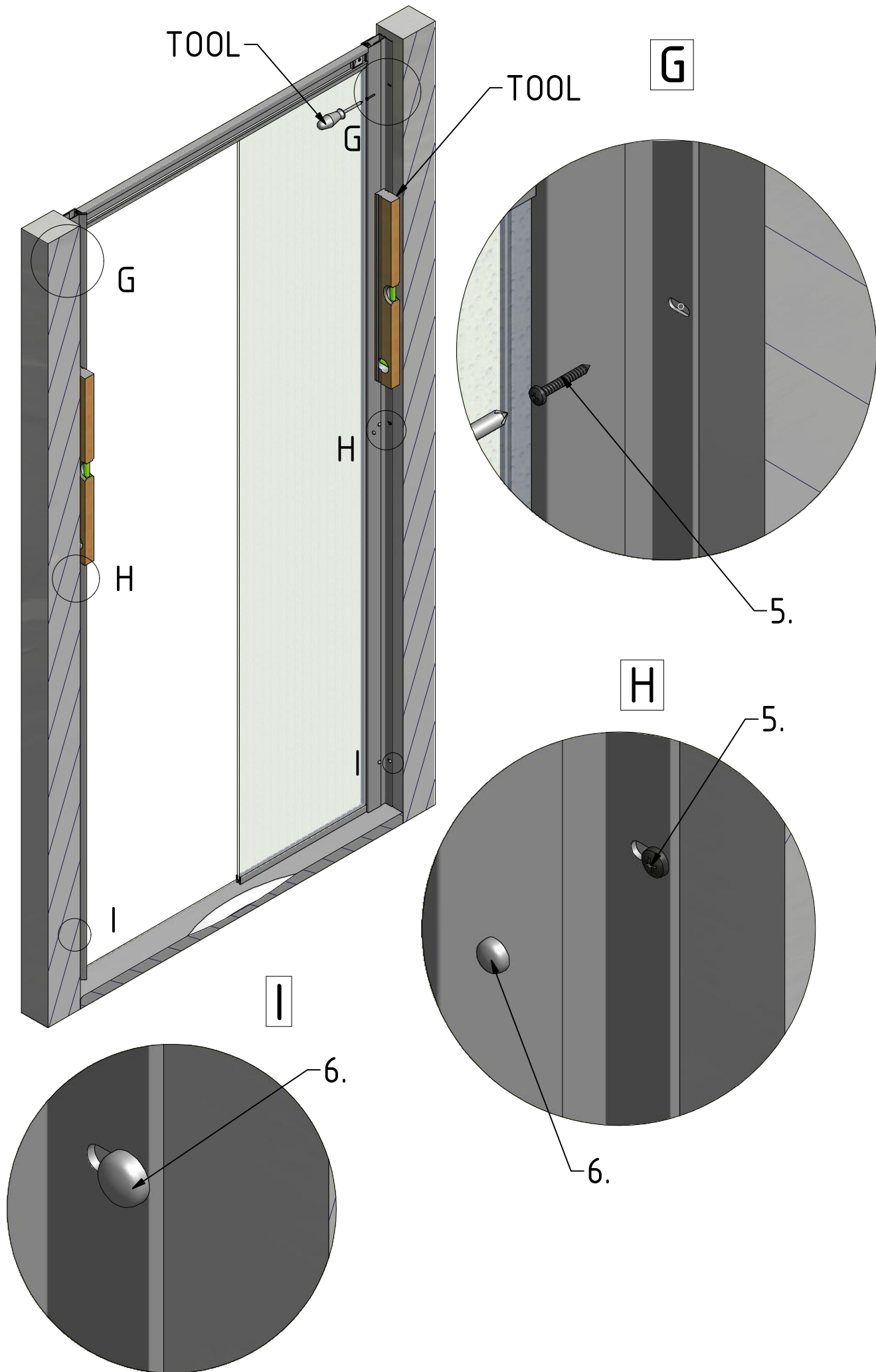
D 6x

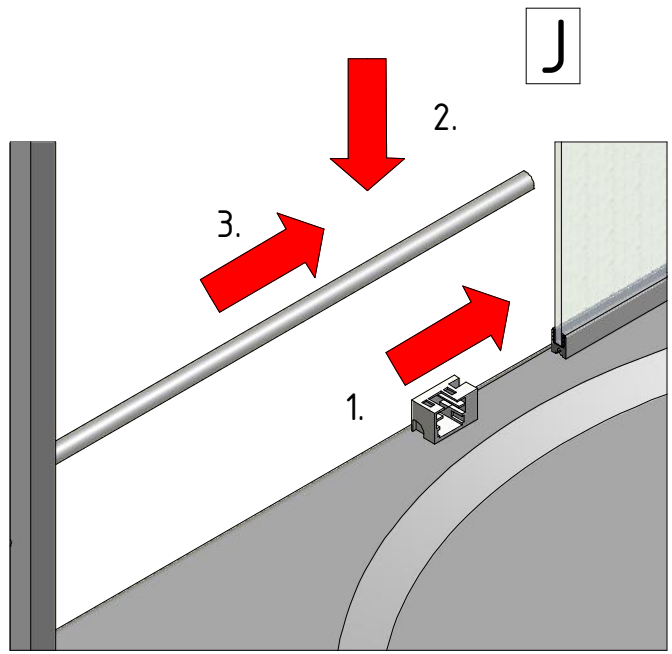
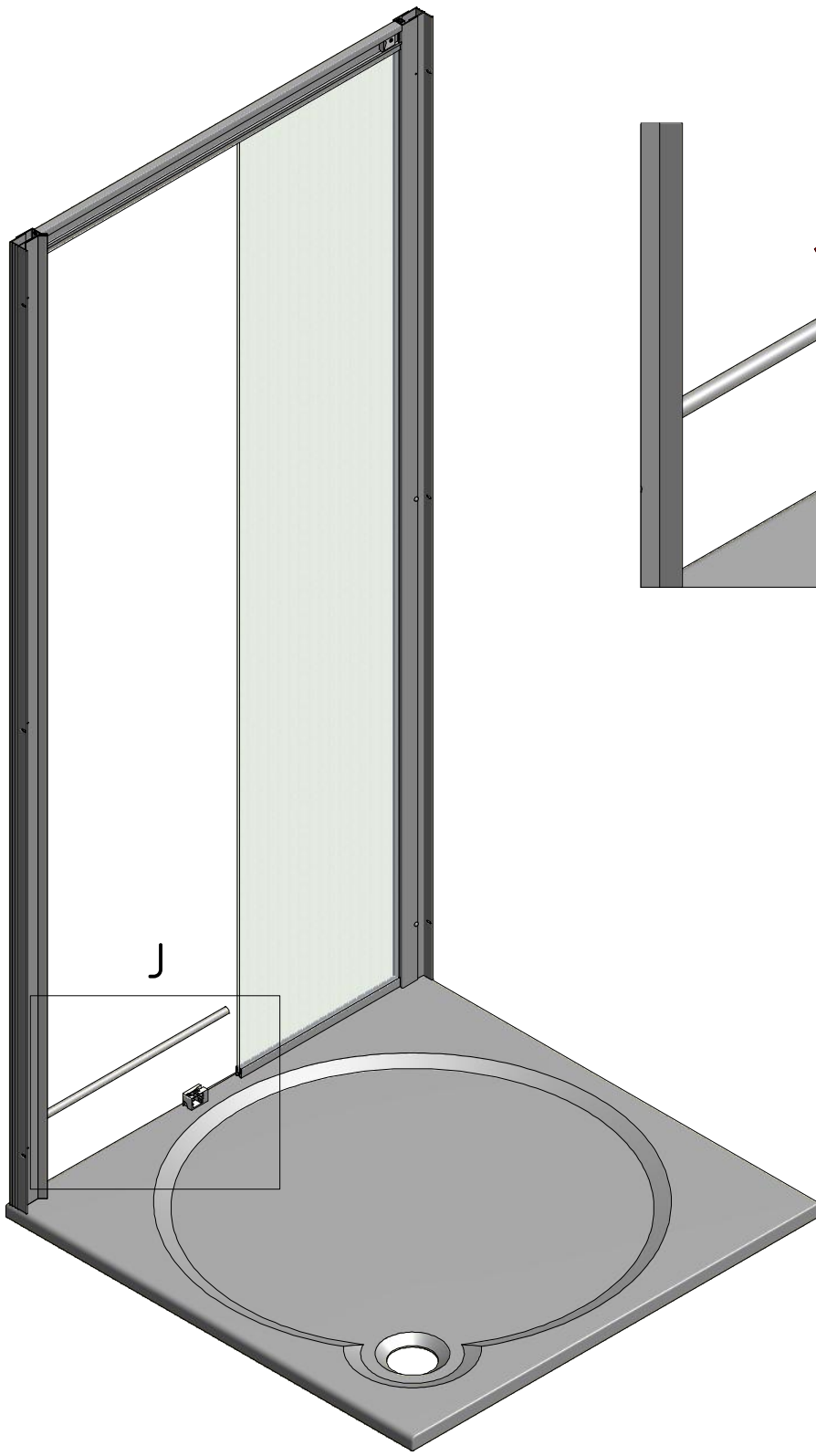


E 6x

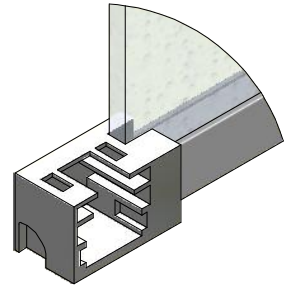
F 6x



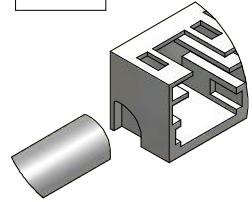




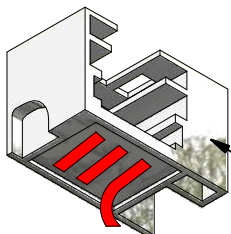
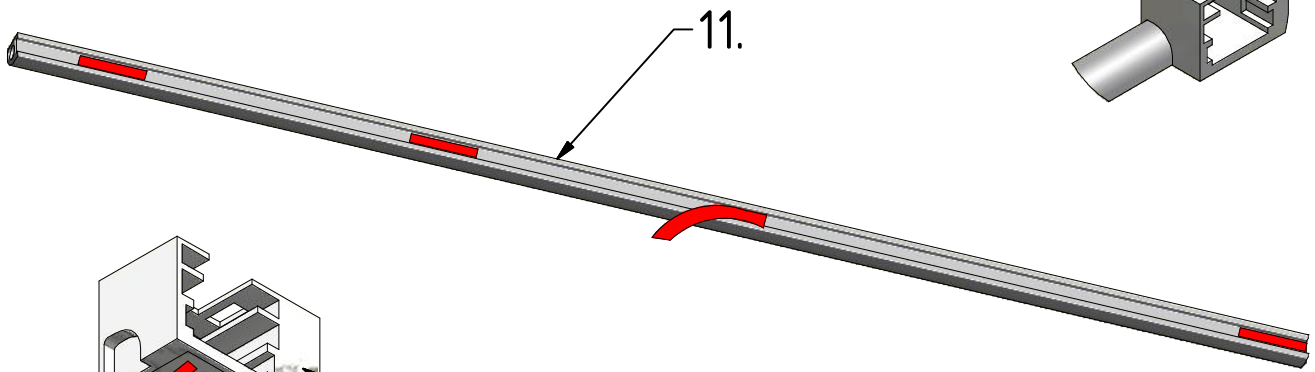
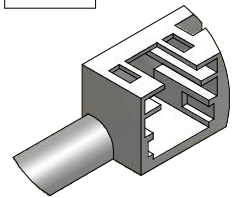
J1



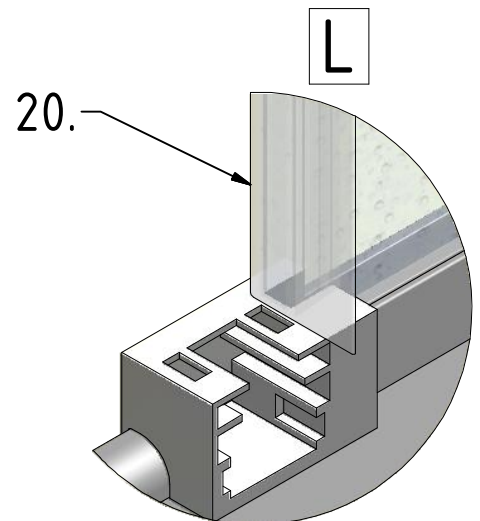
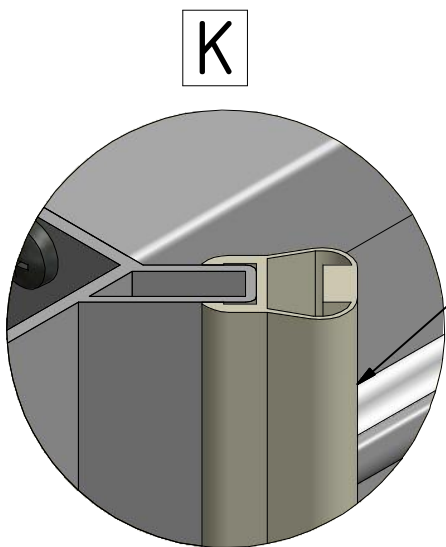
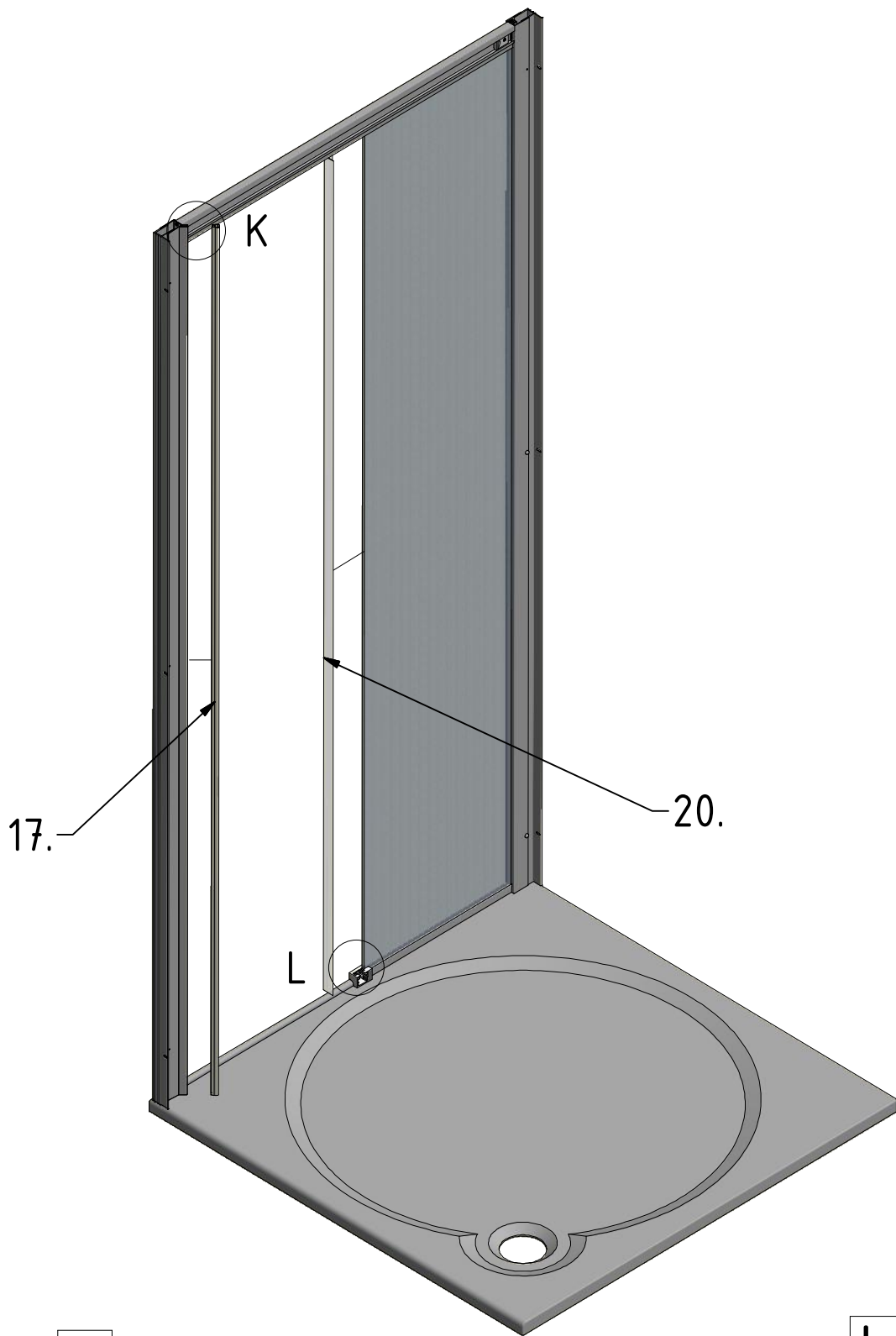
J2

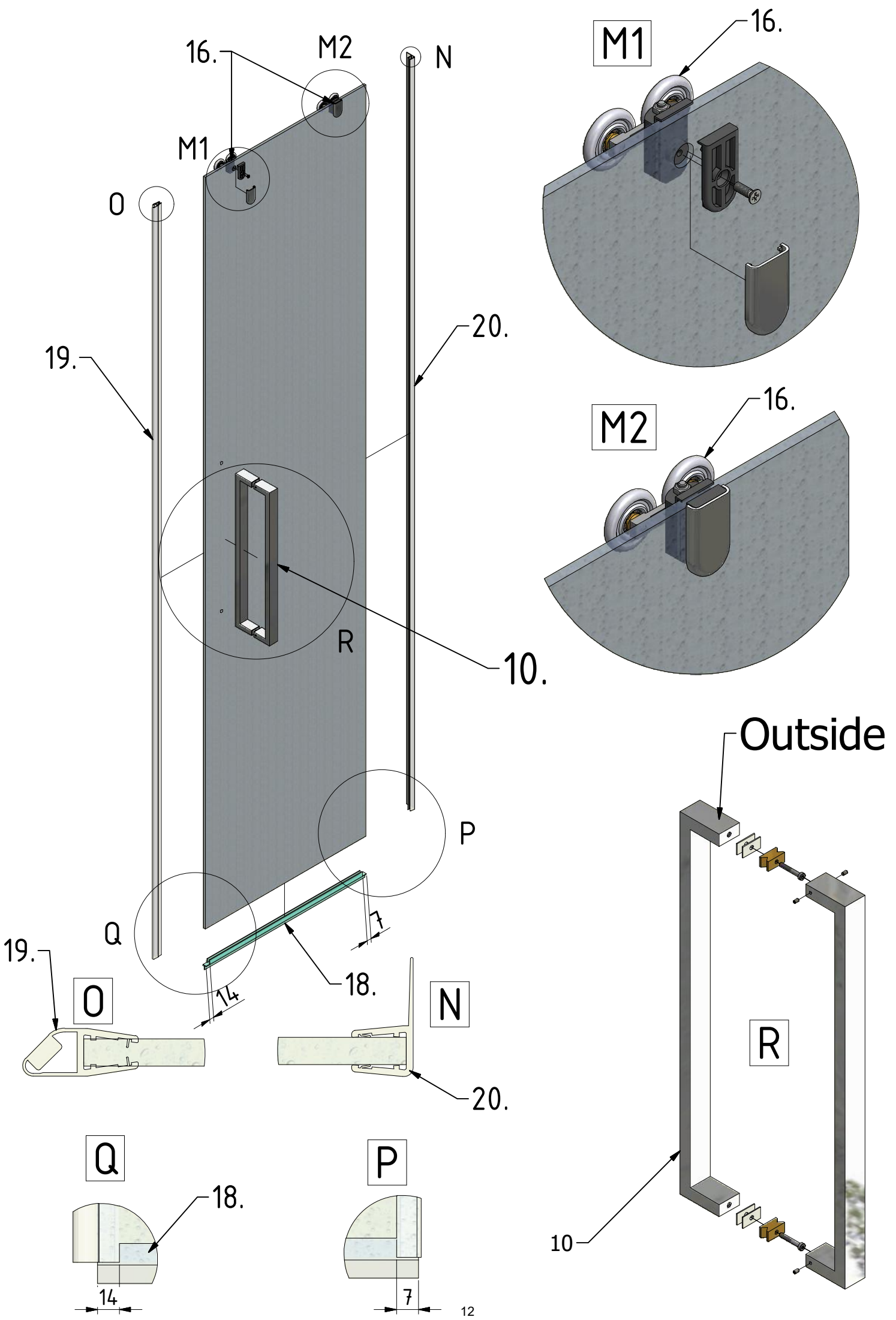


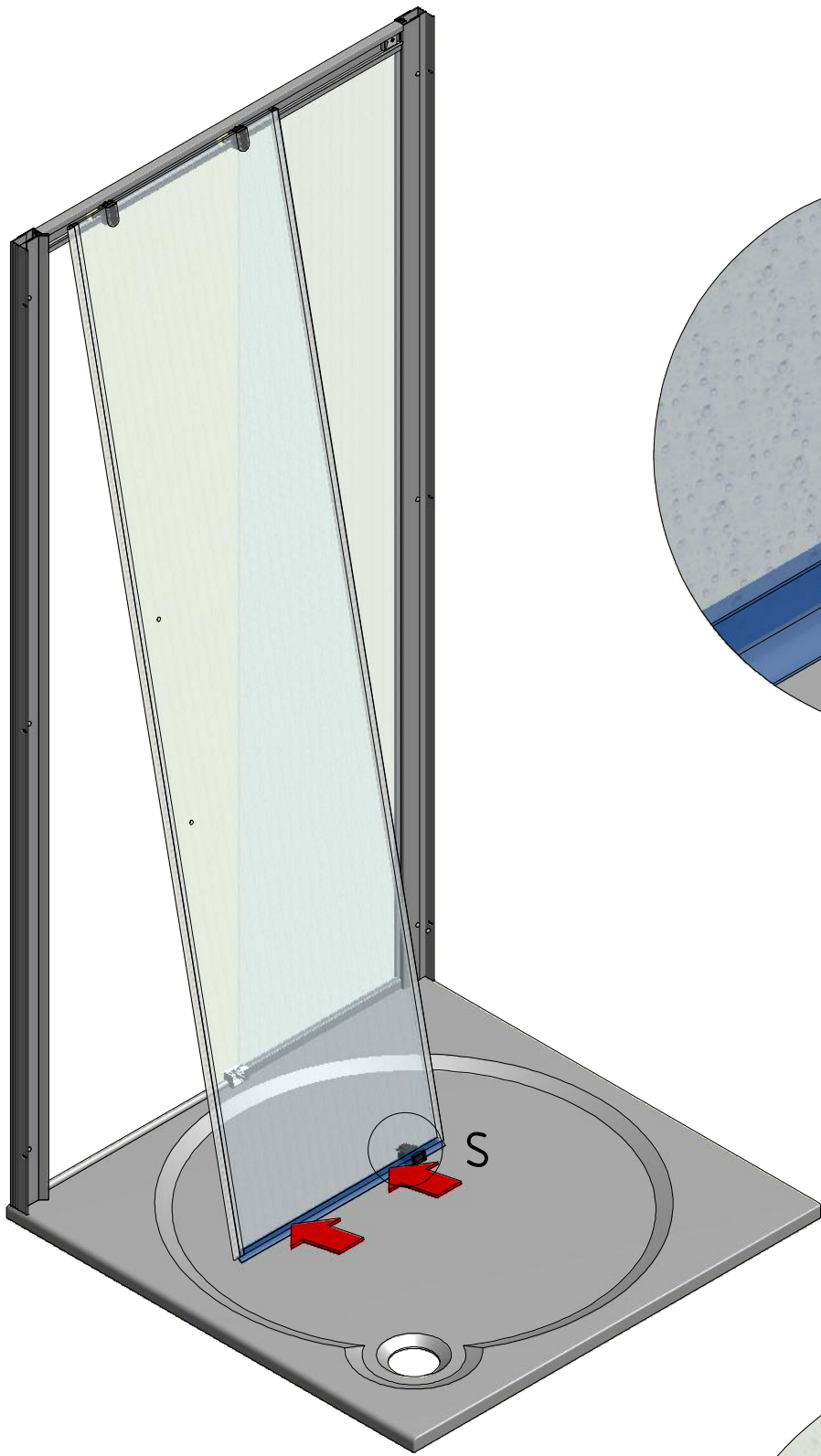
J3



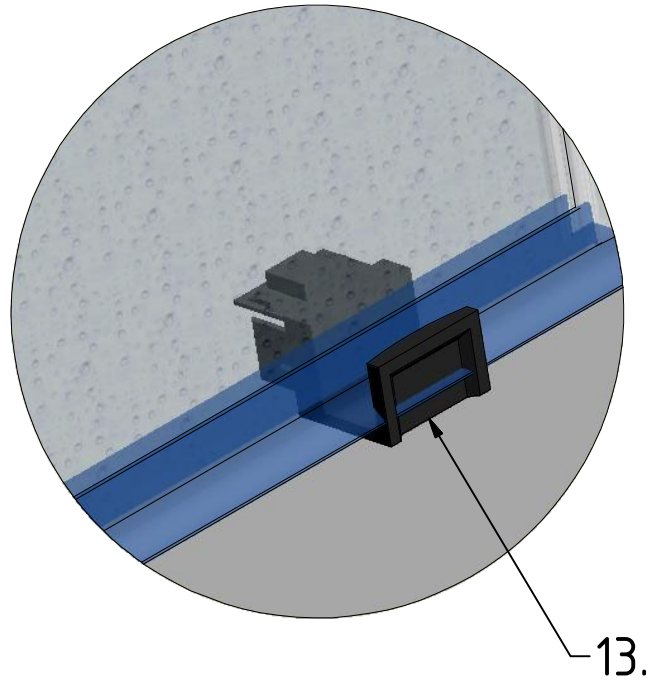
14.



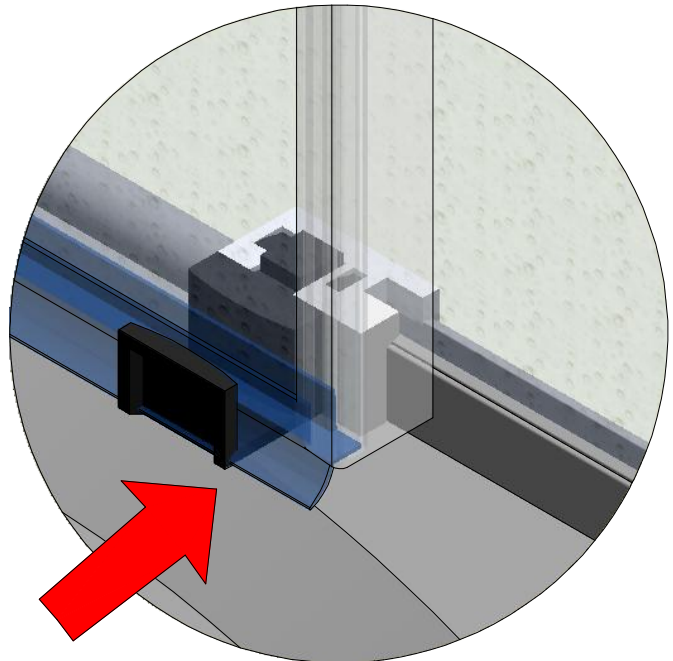


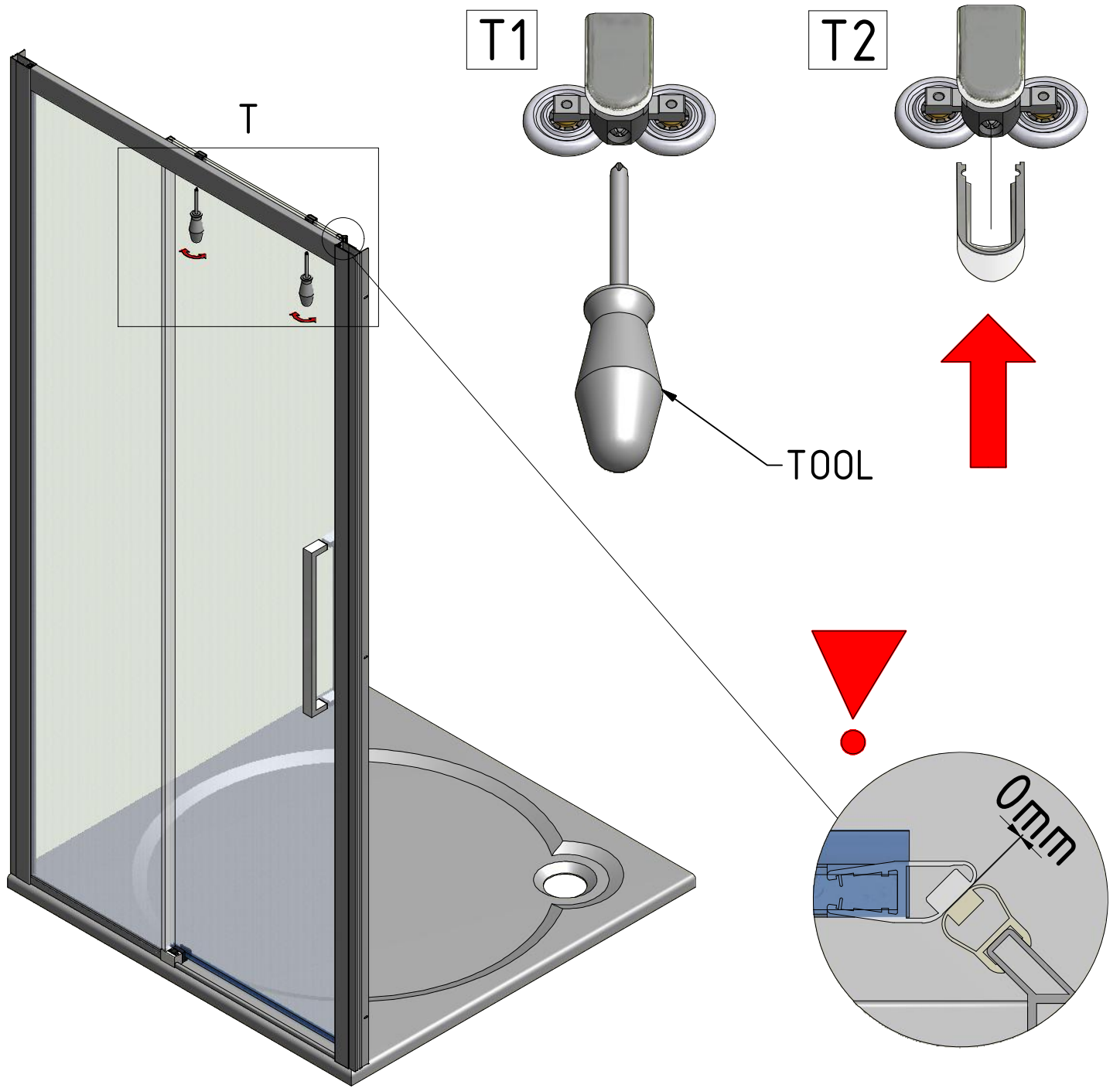


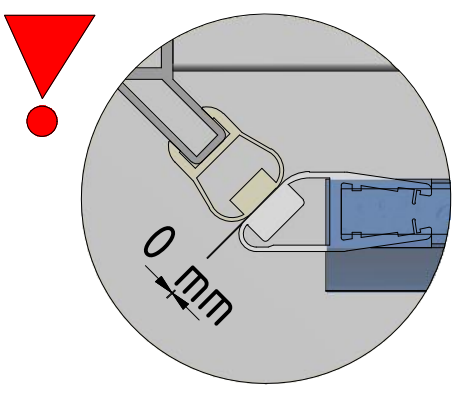
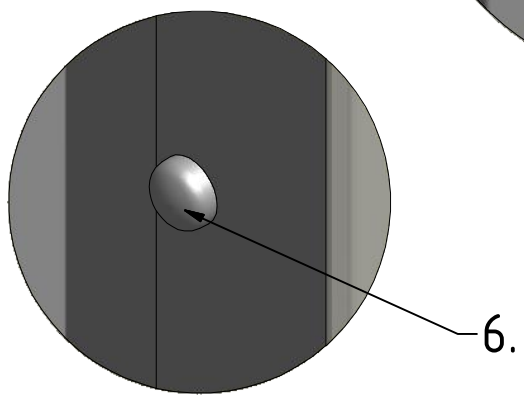
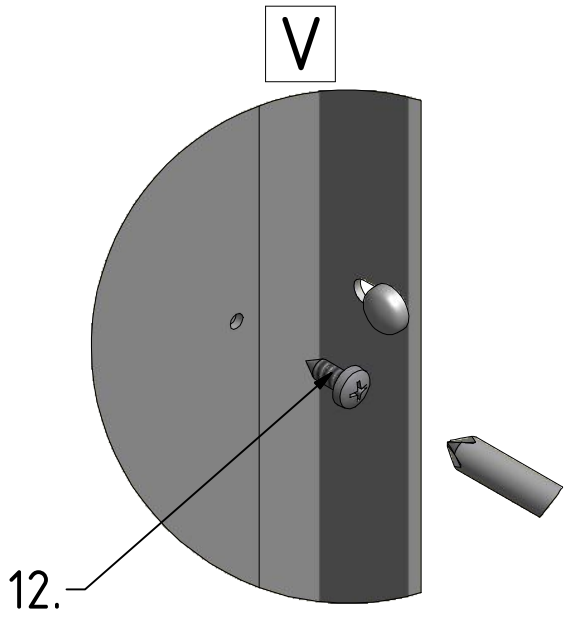
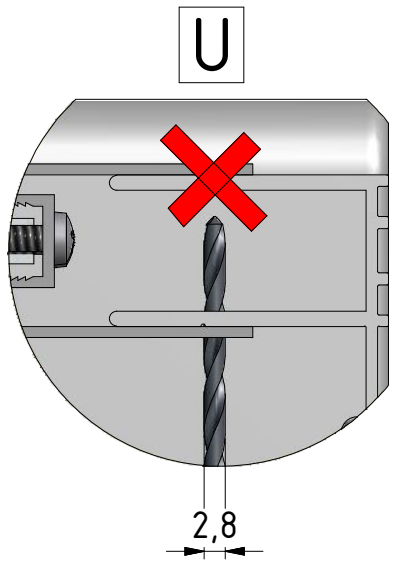
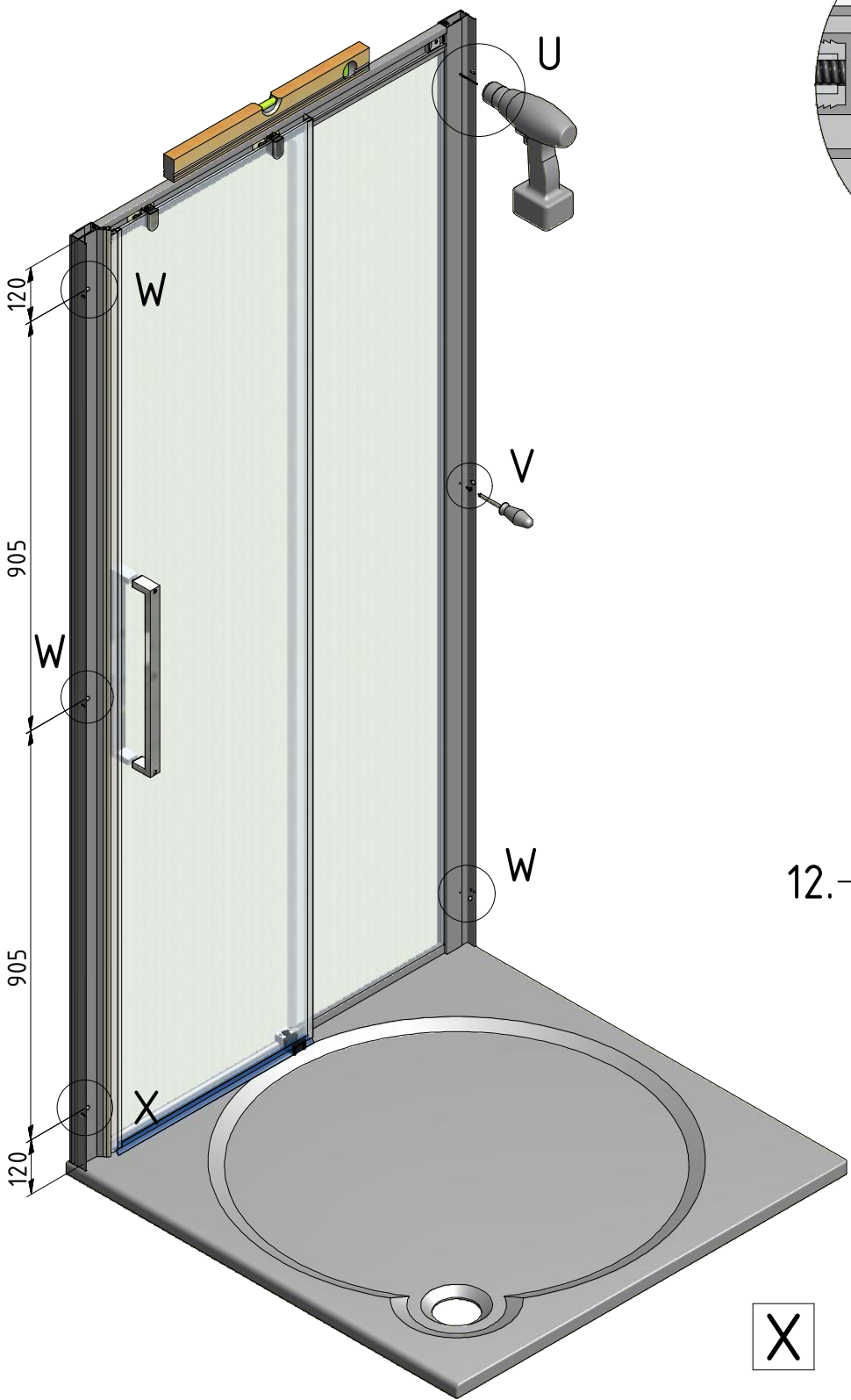
S1

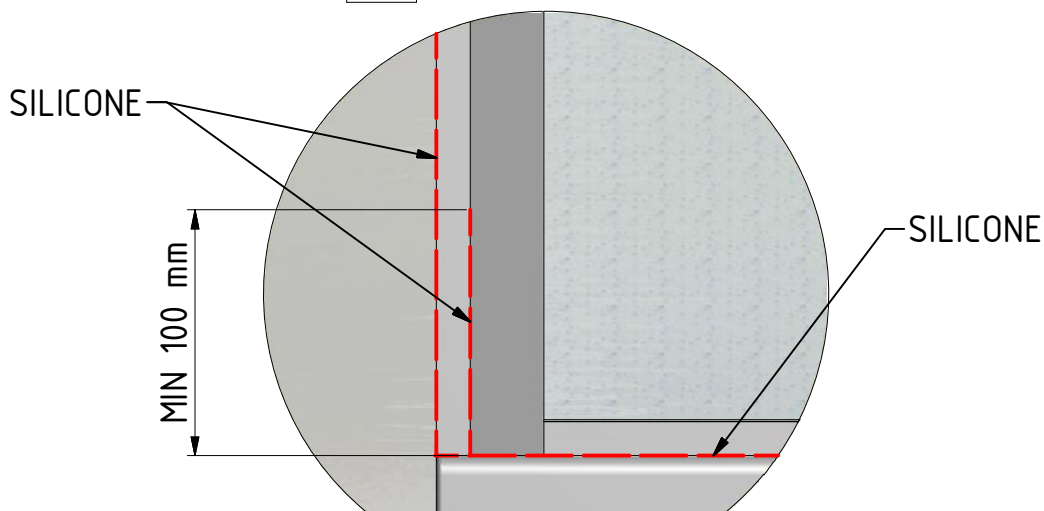
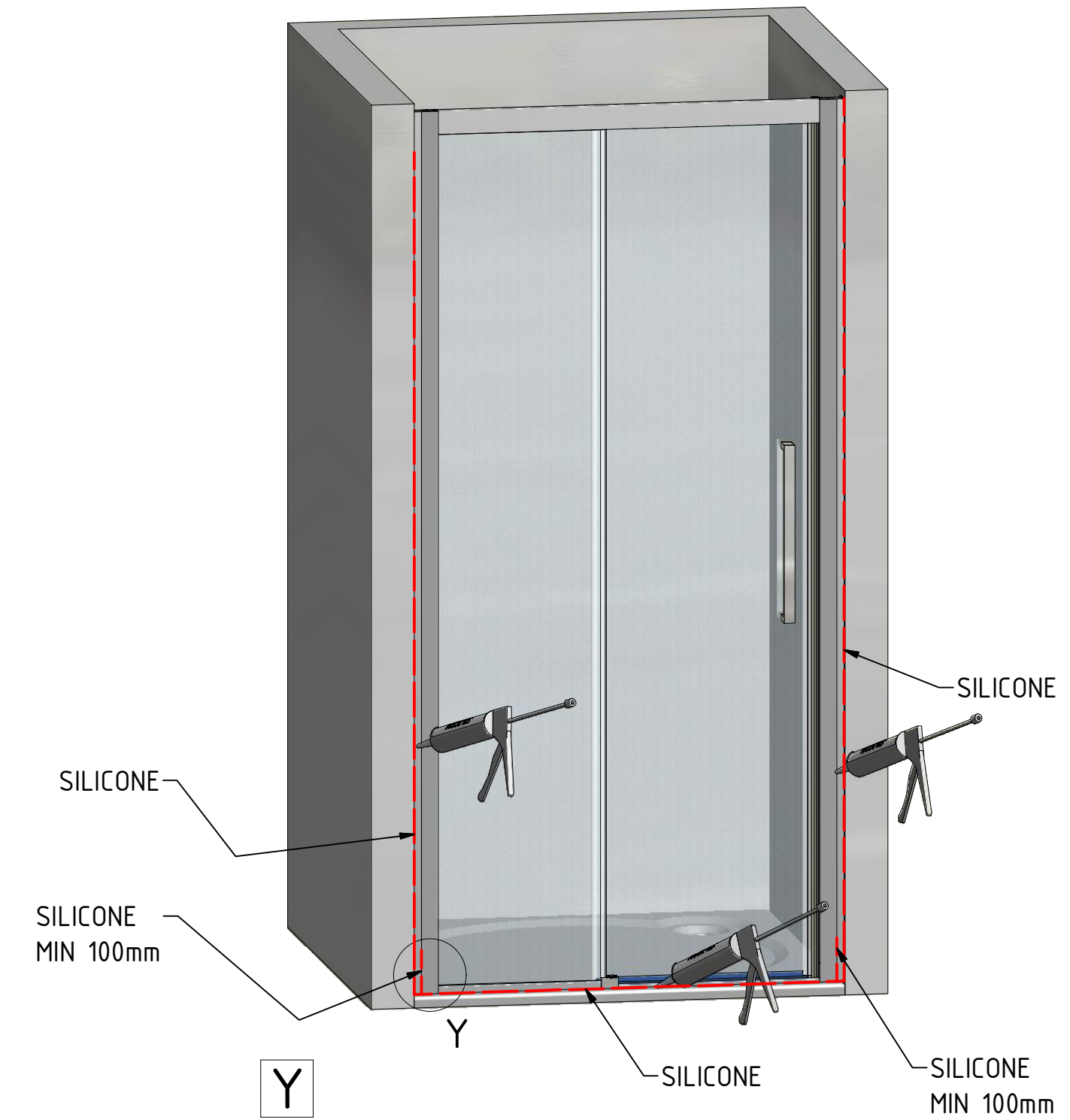


S2

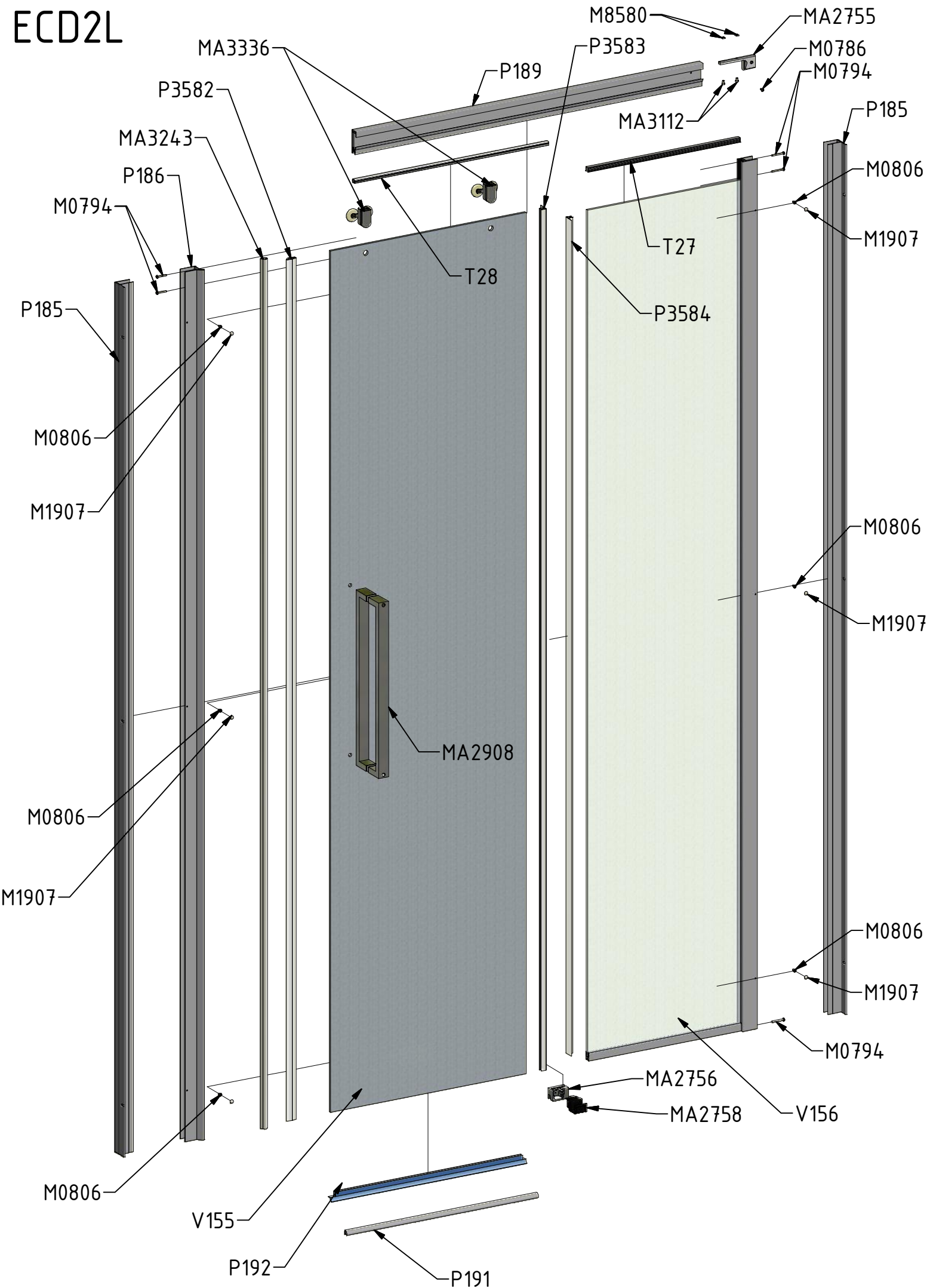


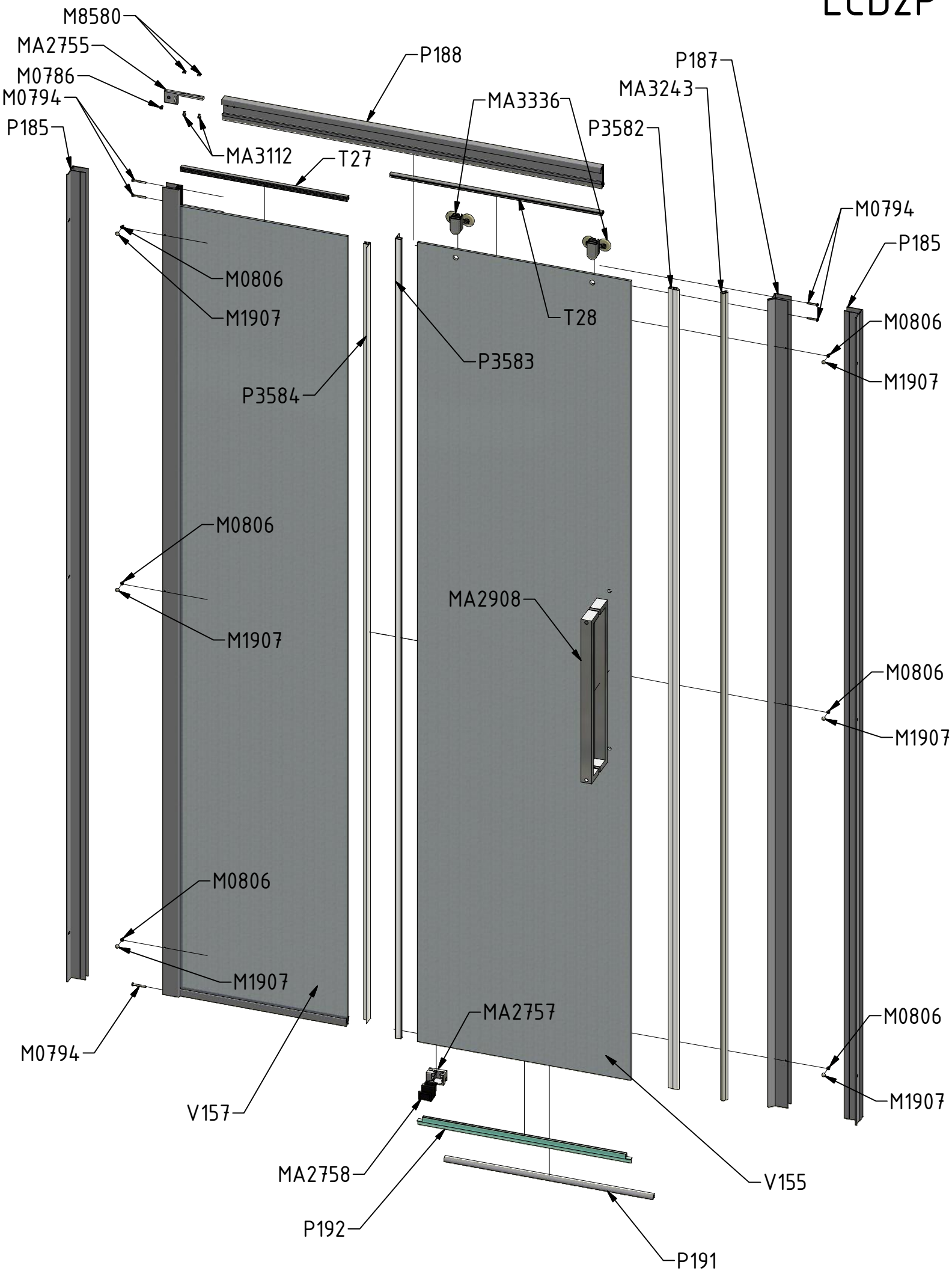






ECD2L





| | | | |
|------|------|-------------|--------------|
| V155 | 1200 | clear glass | ND02-0698-02 |
| | 1300 | clear glass | ND02-0699-02 |
| | 1400 | clear glass | ND02-0700-02 |
| | 1500 | clear glass | ND02-0701-02 |

| | | | |
|------|------|----------------------|-----------------|
| V156 | 1200 | clear glass/black | ND03-0582-05-02 |
| | 1300 | clear glass/black | ND03-0583-05-02 |
| | 1400 | clear glass/black | ND03-0584-05-02 |
| | 1500 | clear glass/black | ND03-0585-05-02 |
| | 1200 | clear glass/brillant | ND03-0586-00-02 |
| | 1300 | clear glass/brillant | ND03-0587-00-02 |
| | 1400 | clear glass/brillant | ND03-0588-00-02 |
| | 1500 | clear glass/brillant | ND03-0589-00-02 |

| | | | |
|------|------|----------------------|-----------------|
| V157 | 1200 | clear glass/black | ND03-0590-05-02 |
| | 1300 | clear glass/black | ND03-0591-05-02 |
| | 1400 | clear glass/black | ND03-0592-05-02 |
| | 1500 | clear glass/black | ND03-0593-05-02 |
| | 1200 | clear glass/brillant | ND03-0594-00-02 |
| | 1300 | clear glass/brillant | ND03-0595-00-02 |
| | 1400 | clear glass/brillant | ND03-0596-00-02 |
| | 1500 | clear glass/brillant | ND03-0597-00-02 |

| | | | |
|------|--|----------|-------|
| P185 | | black | P3470 |
| | | brillant | P3469 |

| | | | |
|------|--|----------|-------|
| P186 | | black | P3571 |
| | | brillant | P3572 |

| | | | |
|------|--|----------|-------|
| P187 | | black | P3569 |
| | | brillant | P3570 |

| | | | |
|------|------|----------|-------|
| P188 | 1200 | black | P3555 |
| | 1300 | | P3602 |
| | 1400 | | P3557 |
| | 1500 | | P3604 |
| | 1200 | brillant | P3556 |
| | 1300 | | P3603 |
| | 1400 | | P3558 |
| | 1500 | | P3605 |

| | | | |
|------|------|----------|-------|
| P189 | 1200 | black | P3563 |
| | 1300 | | P3606 |
| | 1400 | | P3565 |
| | 1500 | | P3608 |
| | 1200 | brillant | P3564 |
| | 1300 | | P3607 |
| | 1400 | | P3566 |
| | 1500 | | P3609 |

| | | | |
|------|------|----------|-------|
| P191 | 1200 | black | P3539 |
| | 1300 | | P3610 |
| | 1400 | | P3541 |
| | 1500 | | P3612 |
| | 1200 | brillant | P3540 |
| | 1300 | | P3611 |
| | 1400 | | P3542 |
| | 1500 | | P3613 |

| | | | |
|------|------|--|-------------|
| P192 | | | ECD2P/ECD2L |
| | 1200 | | P3614/P3834 |
| | 1300 | | P3615/P3835 |
| | 1400 | | P3616/P3836 |
| | 1500 | | P3617/P3837 |

| | | | |
|-----|--|--|-----------|
| T27 | | | ND01-3223 |
|-----|--|--|-----------|

| | | | |
|-----|--|--|-----------|
| T28 | | | ND01-3224 |
|-----|--|--|-----------|