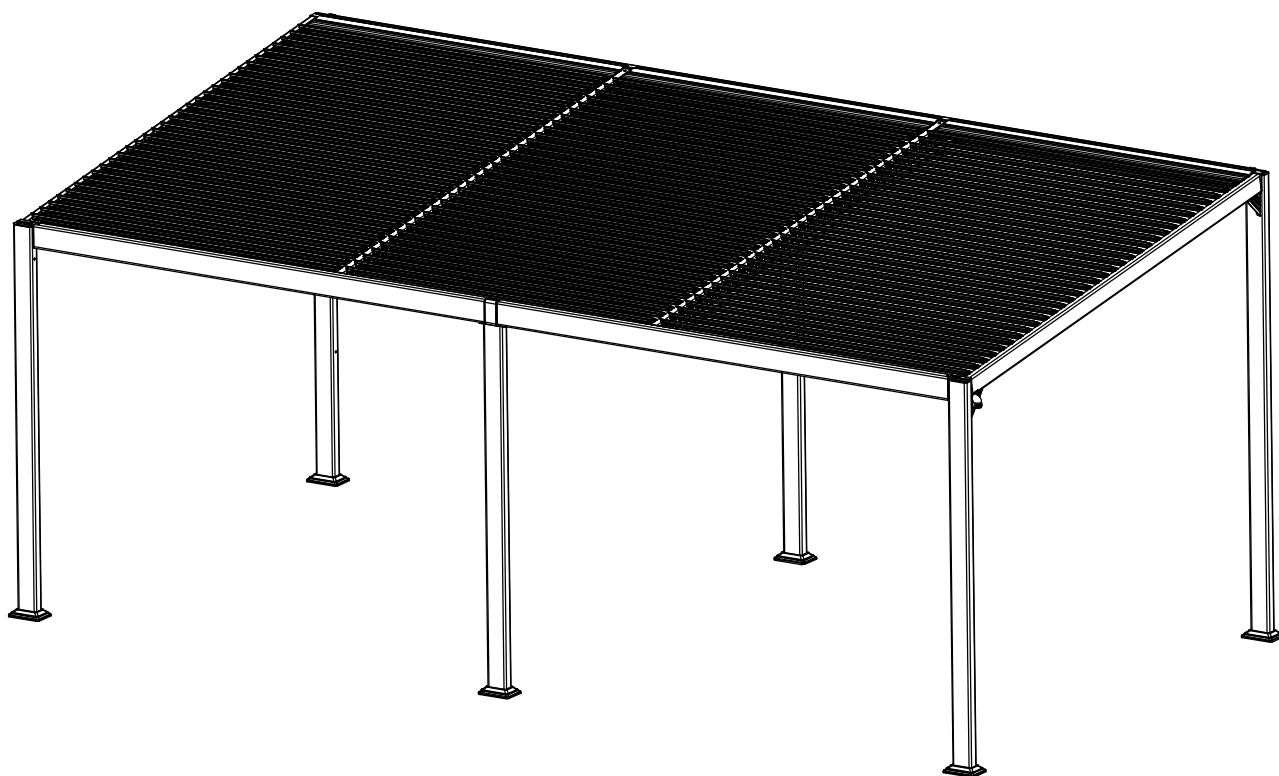



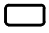

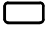

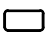








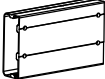



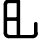






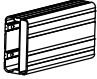






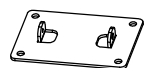
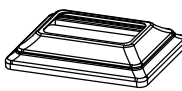

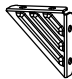





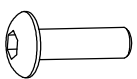
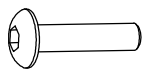
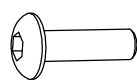
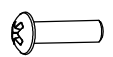
PALMA XXL PAVILLON 3X6m ANTHRAZIT



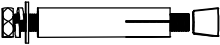

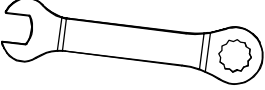
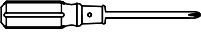


EAN:4024506629417

	Bauteil Nummer	Bauteil	Menge	
	A1			1
	A2			1
	A3			1
	A4			1
	A5			1
	A6			1
	B1			1
	B2			1
	B3			1
	C1			1
	C2			1
	D			2
	E1			1
	E2			1
	E3			1

EAN:4024506629417

	Bauteil Nummer	Bauteil	Menge
	F	 	96
	G	 	3
	H		6
	J		6
	K		1
	L		2
	M1		1
	M2		1
	N1		1
	N2		1
	P		3
	Q	 M8*20	48+2
	Q1	 M8*25	16+1
	Q2	 M6*20	24+2
	Q3	 M4*18	3

EAN:4024506629417

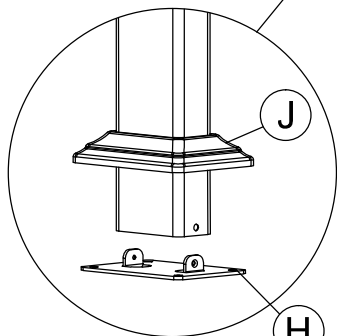
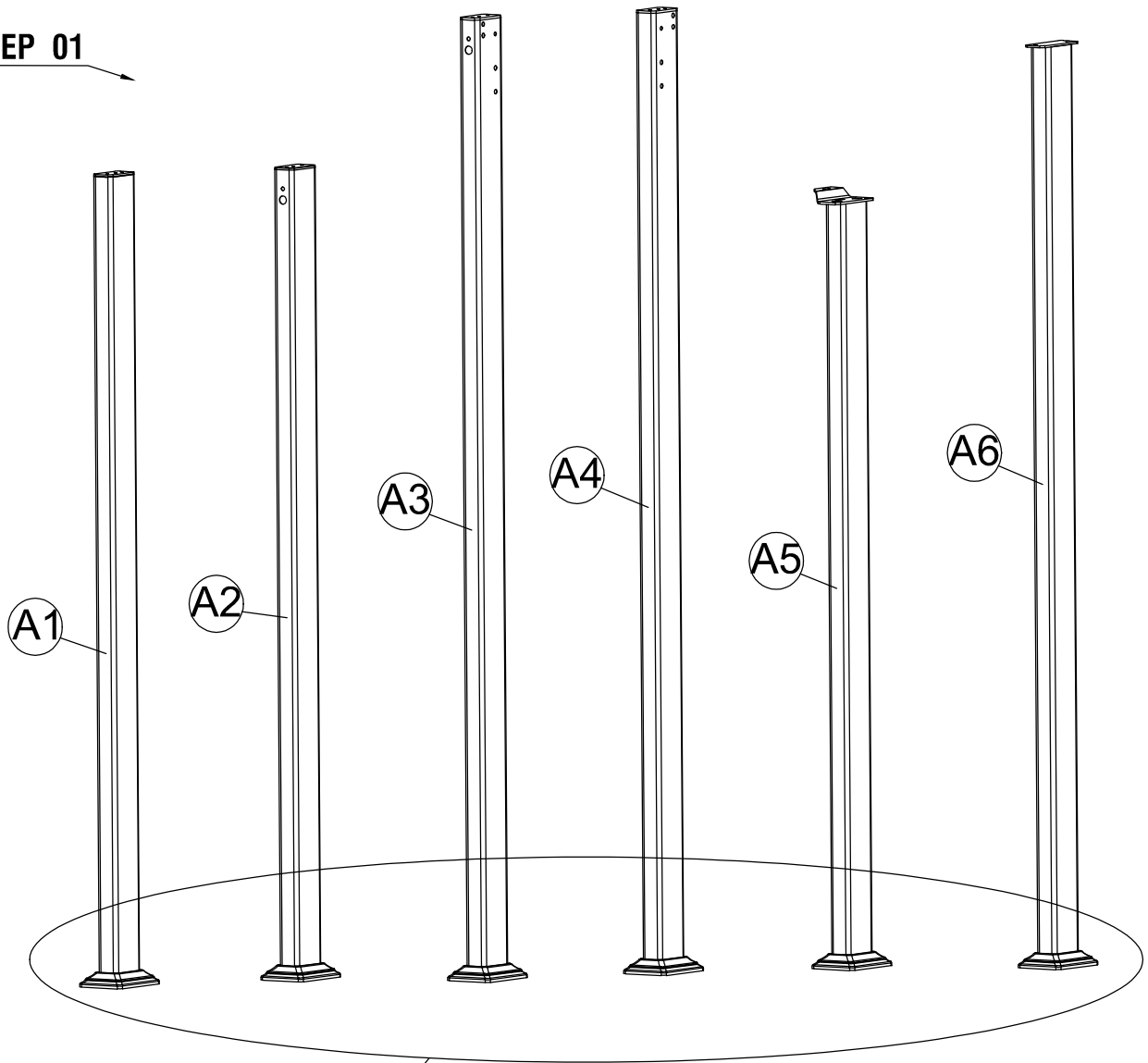
	Bauteil Nummer	Bauteil	Menge	
	Q4		12+2	
	R		1	
	S1		1	
	S2		1	
	S3		2	
	U	 Silikon Dichtungsmittel nicht im Liefesumfang enthalten	1	

Bitte benutzen Sie handelsueblichen Silikon um alle Verbindungsteile wasserdicht zu versiegeln.

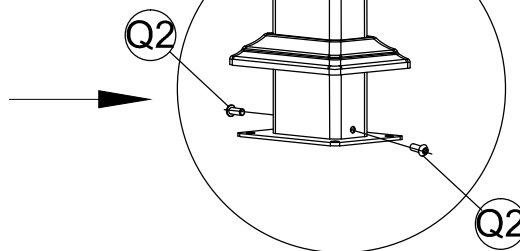
Please use silicon sealant to ensure the connections are water tight.

You can use any normal silicon sealant you can purchase in DIY stores

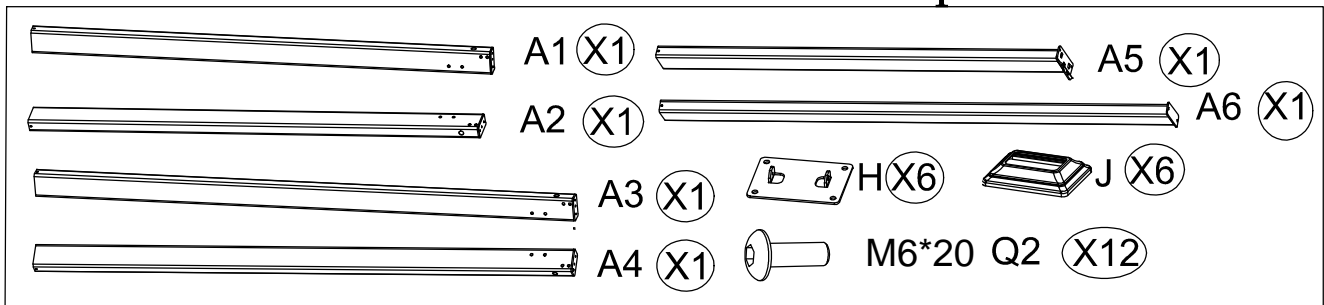
STEP 01



Step1

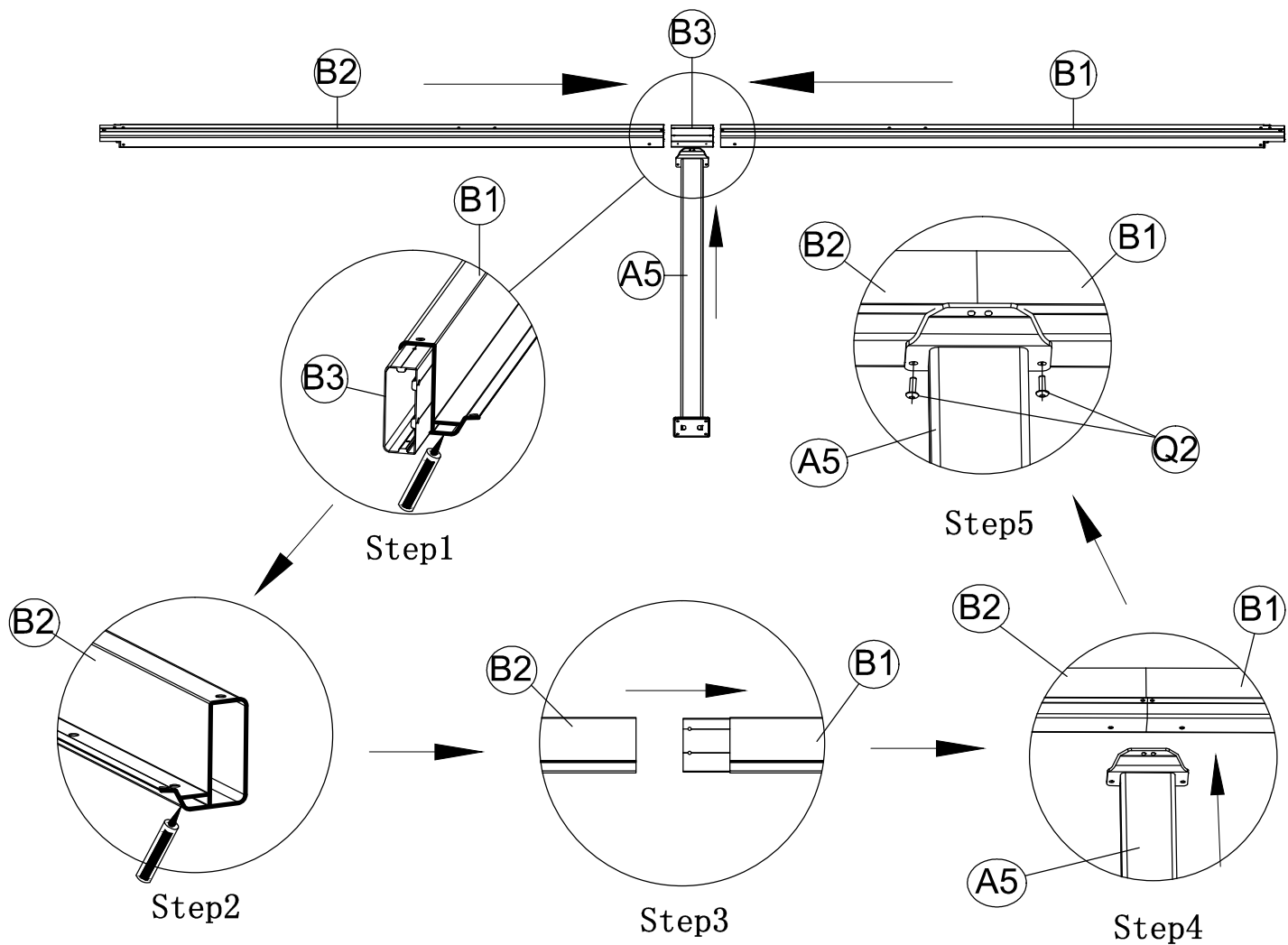


Step2



EAN:4024506629417

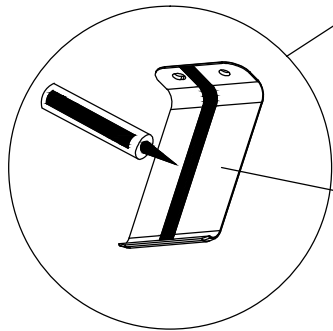
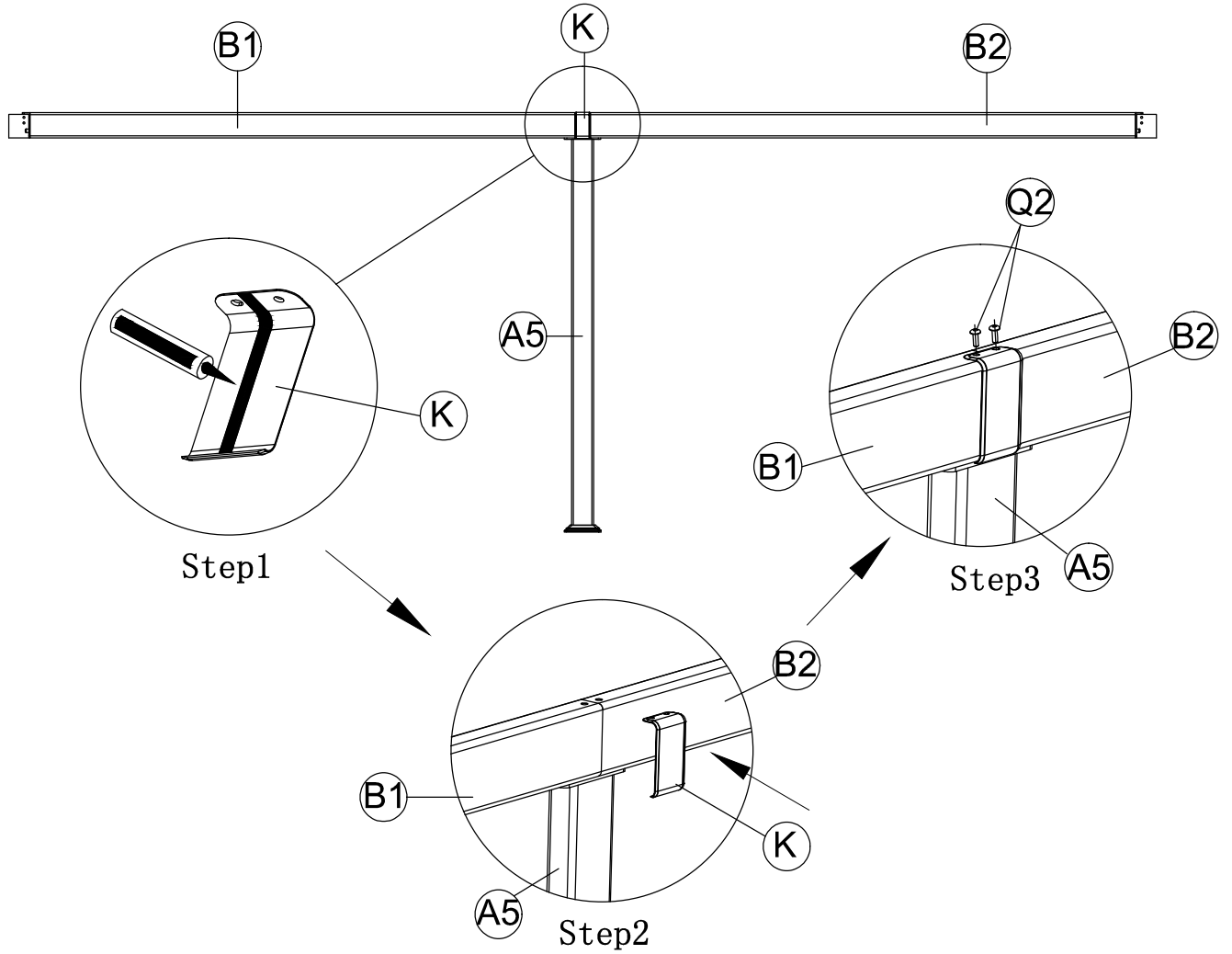
STEP 02



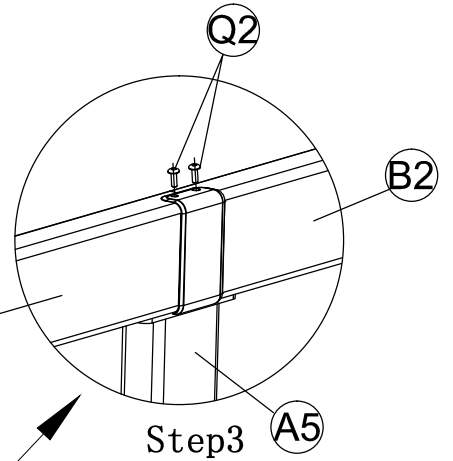
		B1 (X1)
		B2 (X1)
		A5 (X1)
		B3 (X1)

EAN:4024506629417

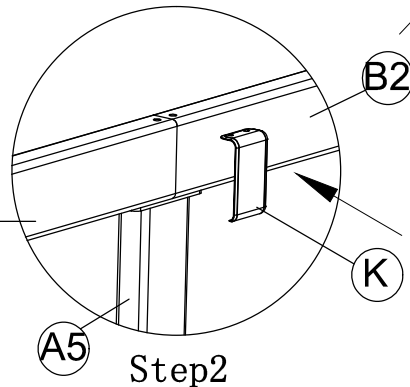
STEP 03



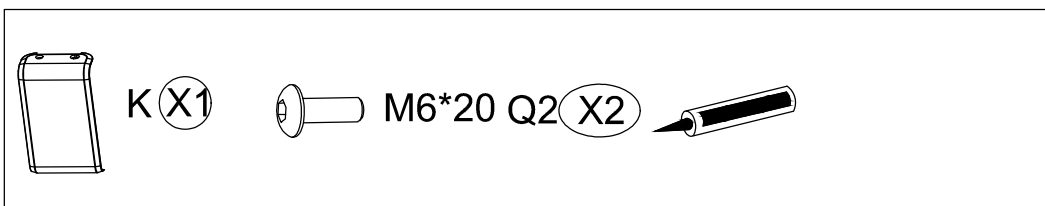
Step1



Step3

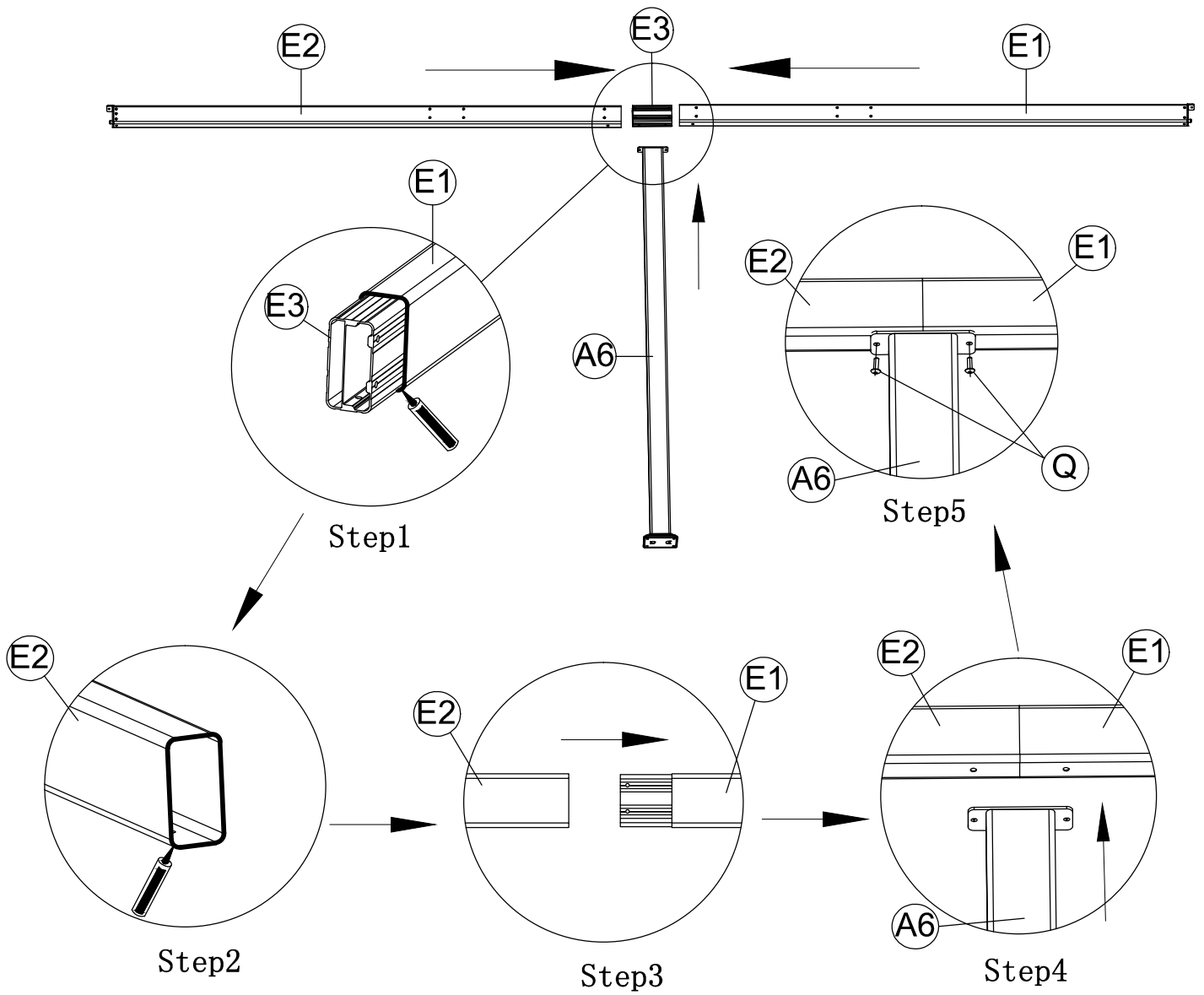


Step2



EAN:4024506629417

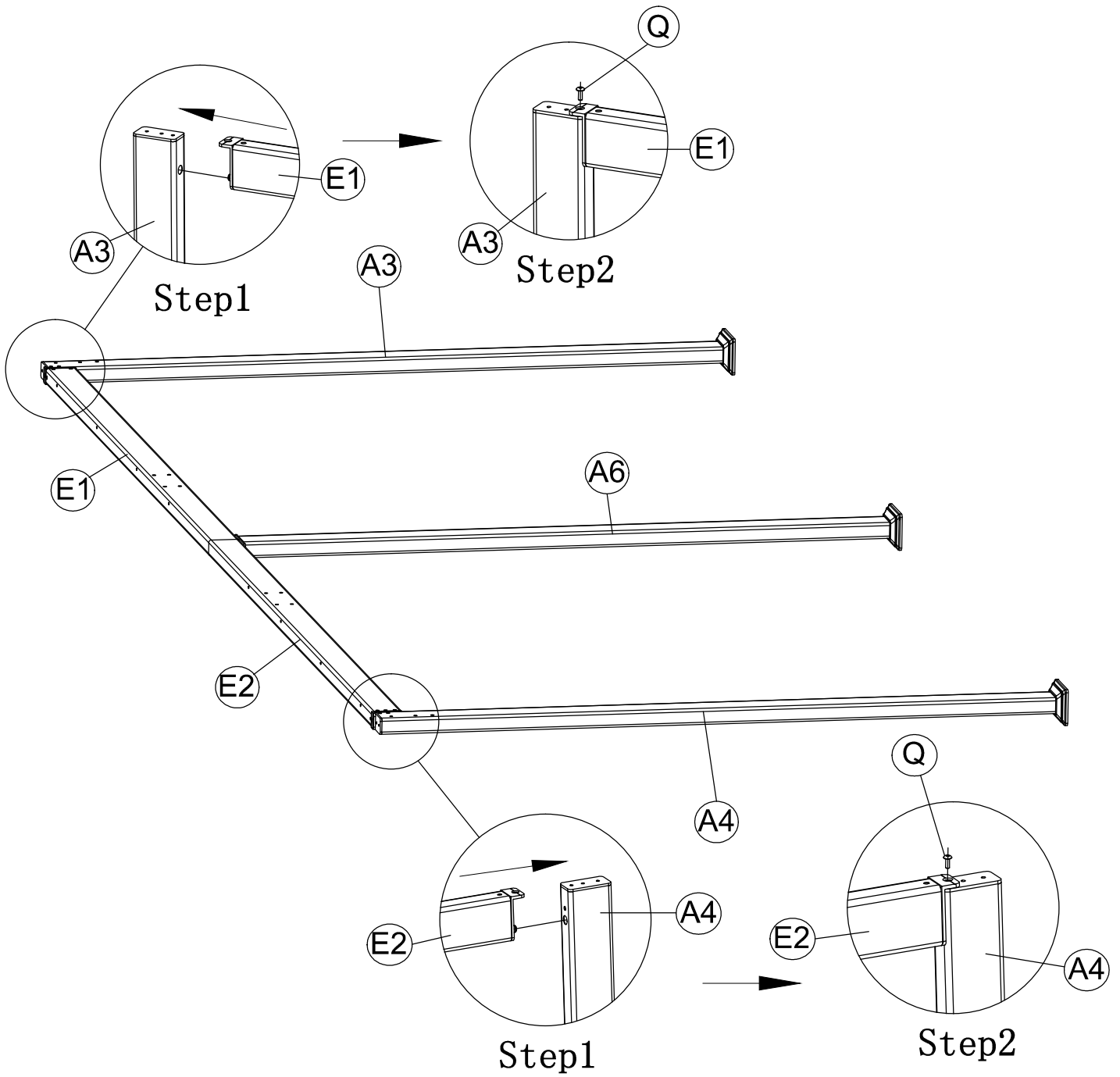
STEP 04

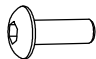


- | | |
|--|--------------|
| | E1 (X1) |
| | E2 (X1) |
| | A6 (X1) |
| | M8*20 Q (X2) |
| | E3 (X1) |
| | |

EAN:4024506629417

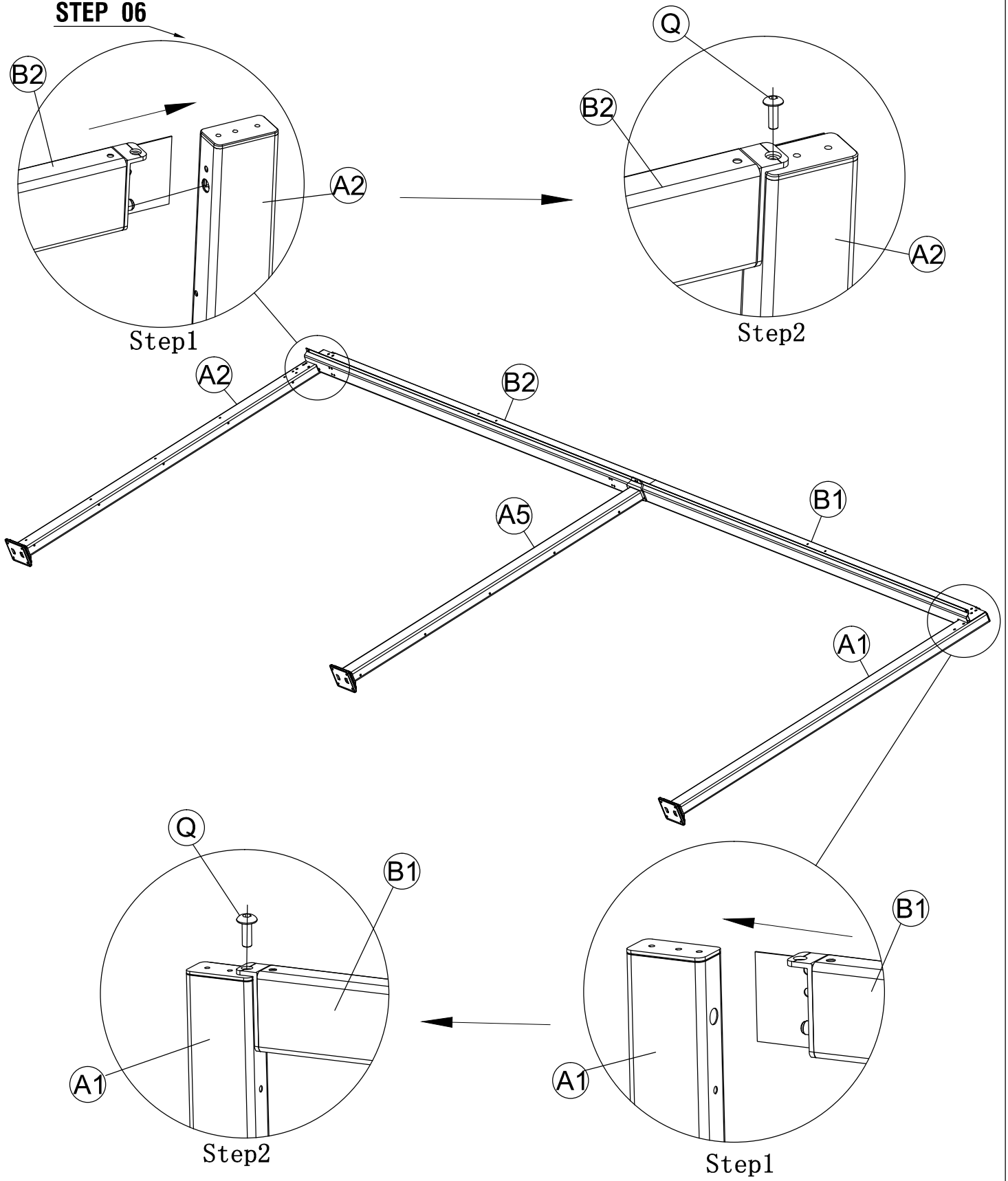
STEP 05

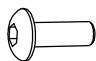


	M8*20	Q (X2)
---	-------	--------

EAN:4024506629417

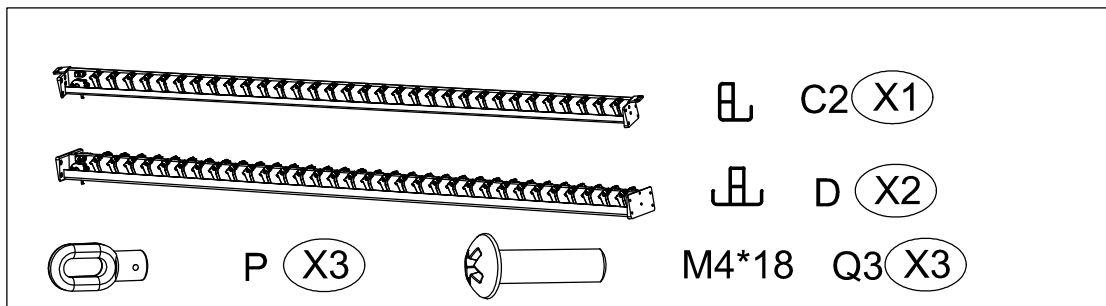
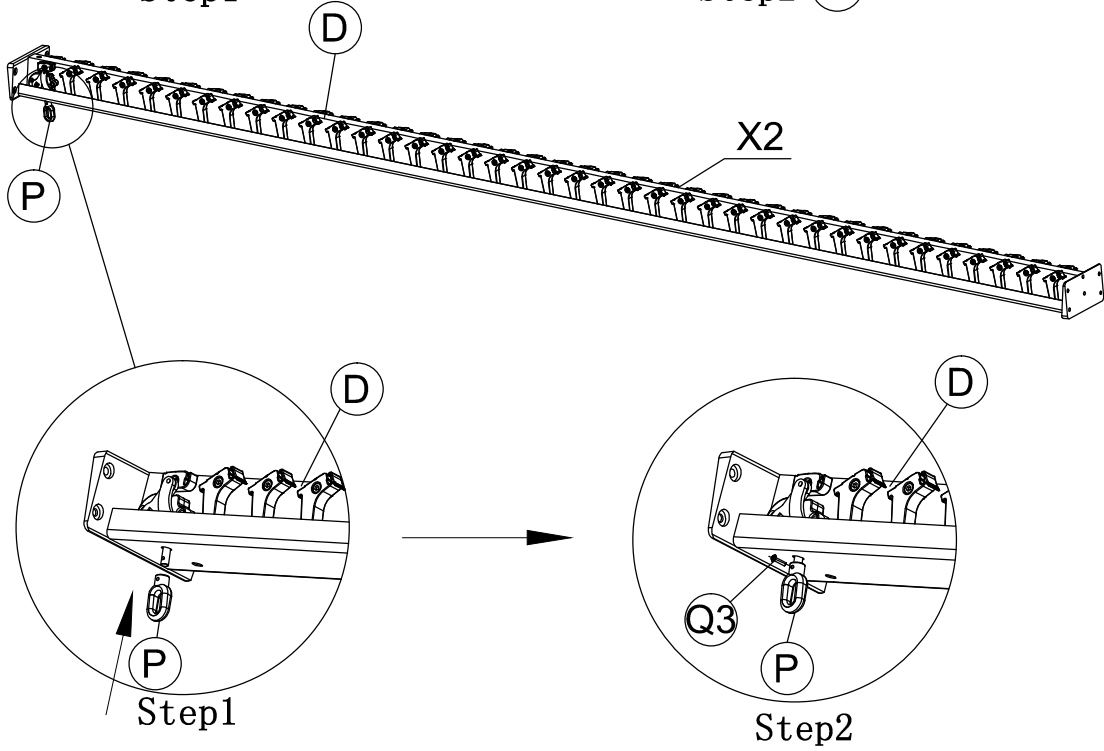
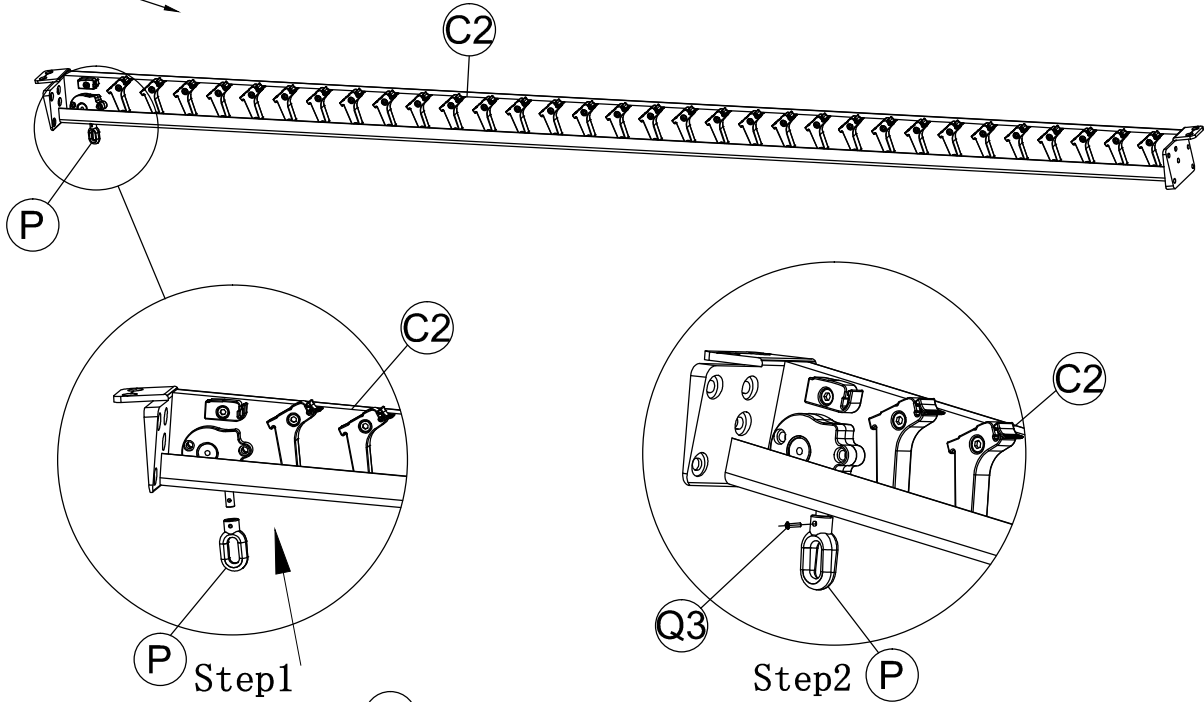
STEP 06



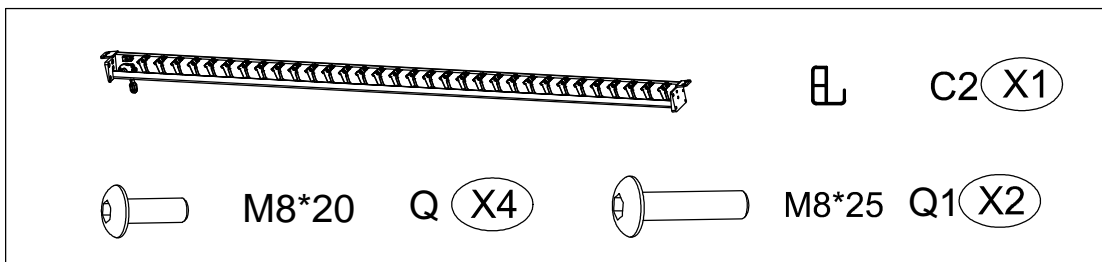
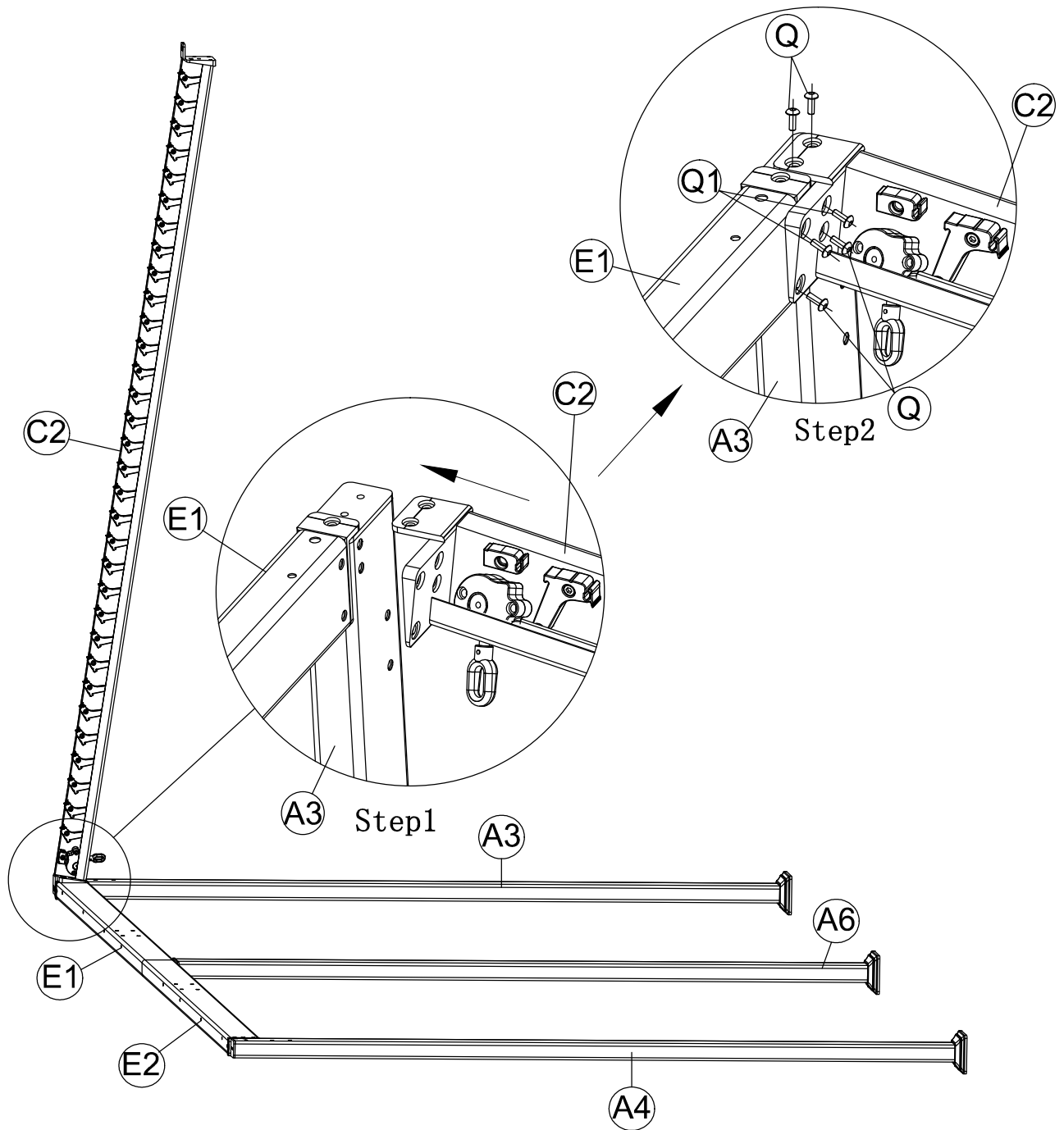
	M8*20	Q (X2)
---	-------	--------

EAN:4024506629417

STEP 07

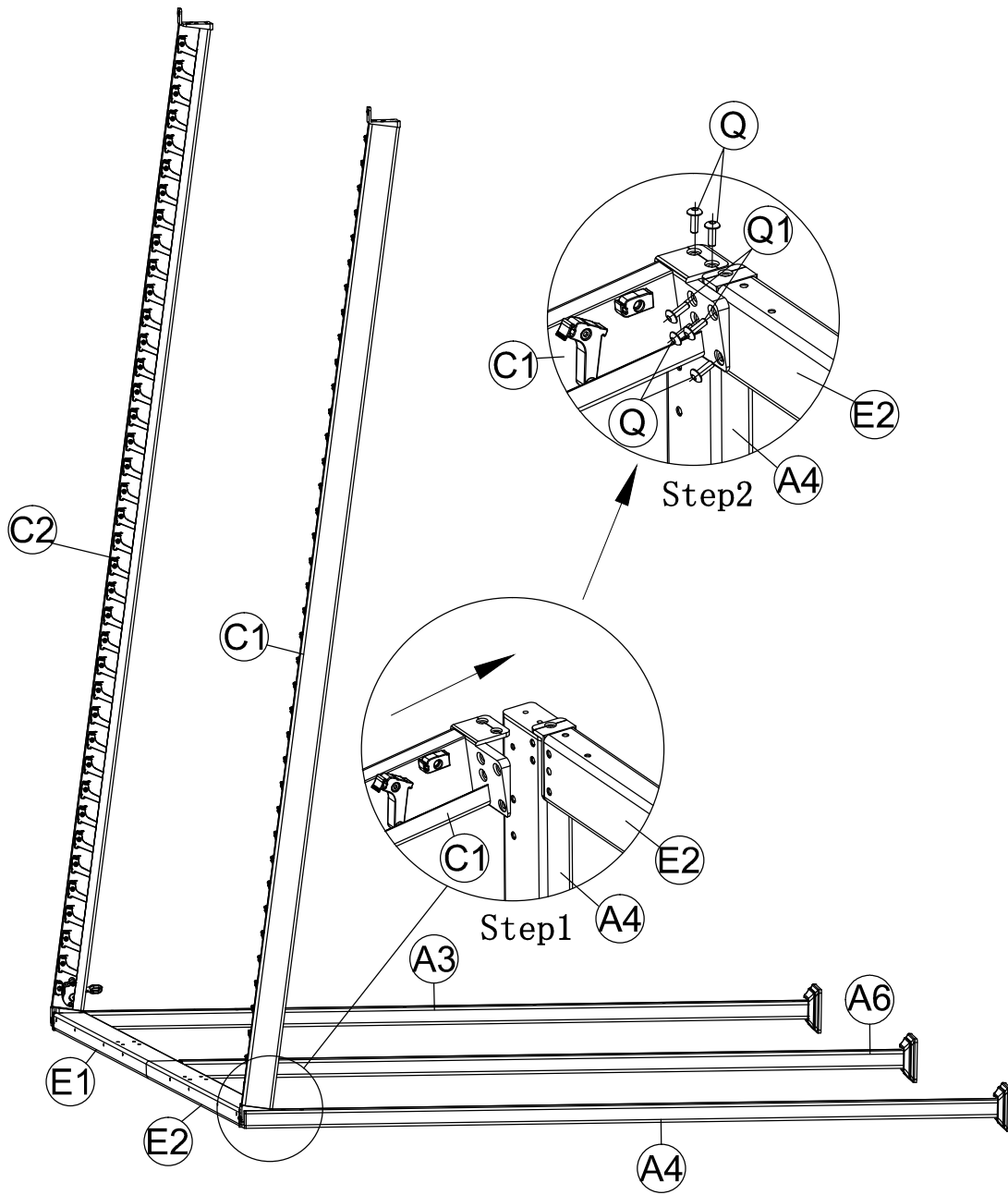


STEP 08



EAN:4024506629417

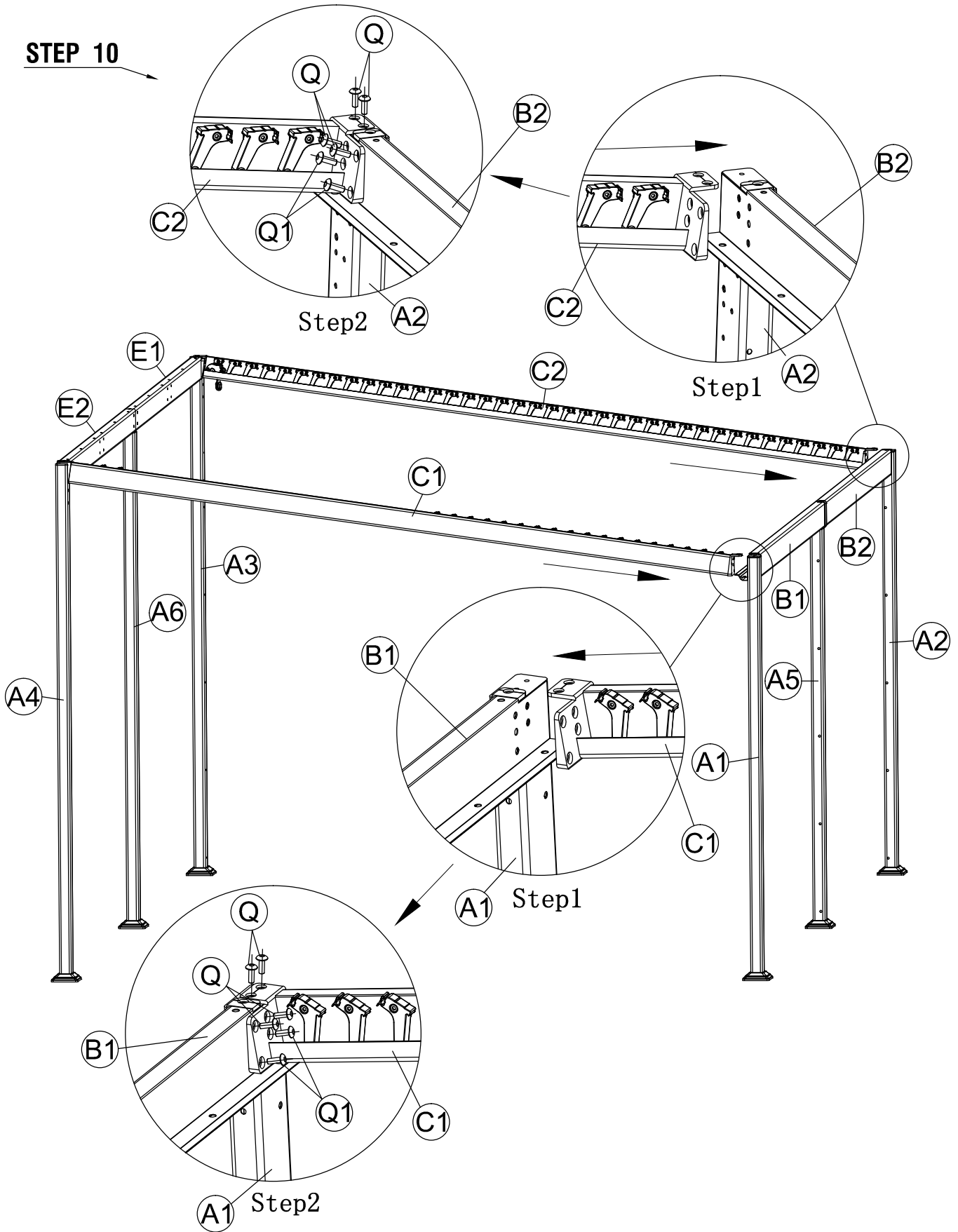
STEP 09

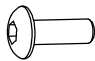

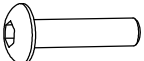



		C1 (X1)
	M8*20	Q (X4)
	M8*25	Q1 (X2)

EAN:4024506629417

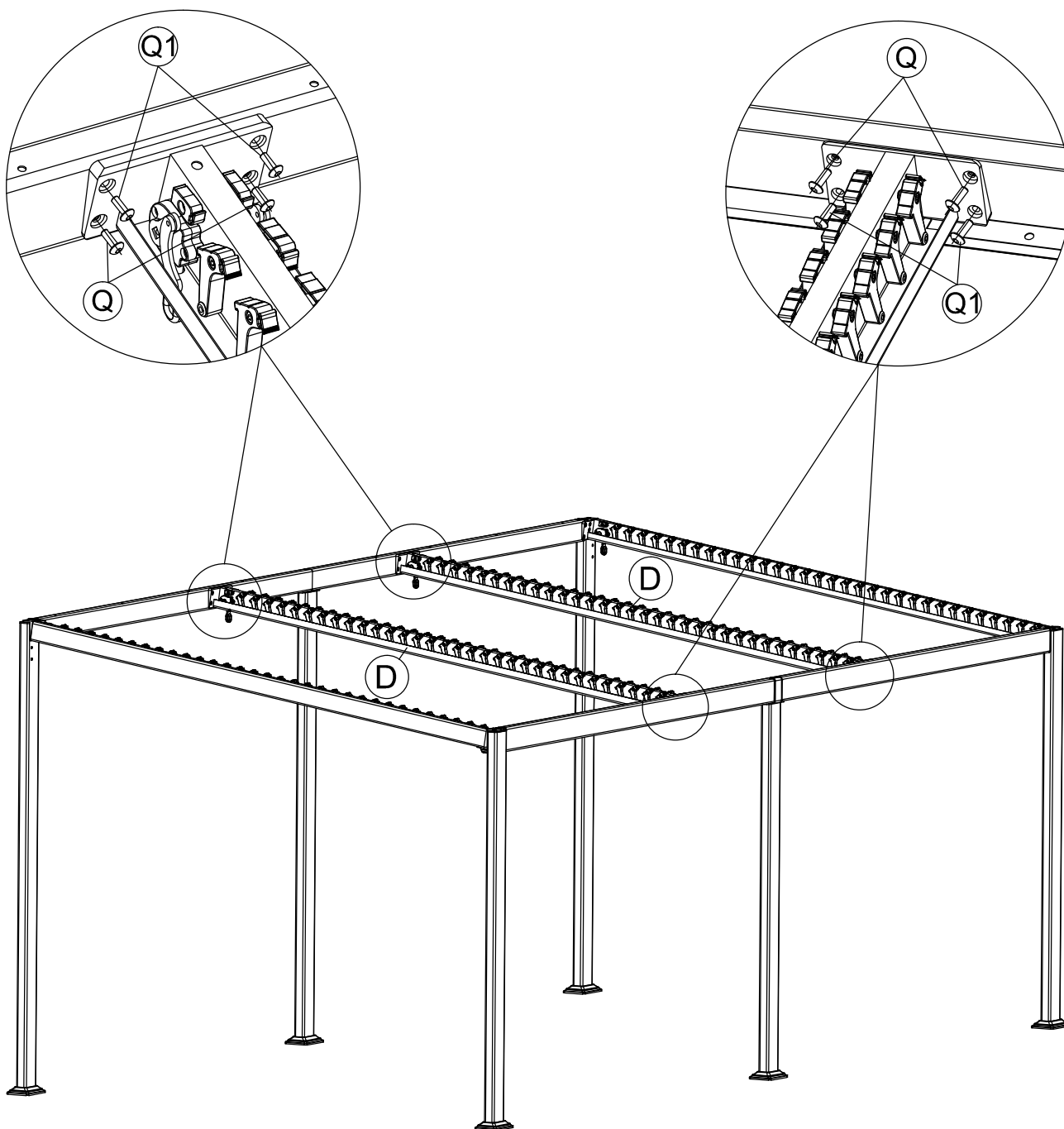
STEP 10

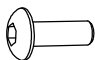
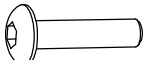


	M8*20		X8		M8*25		X4
---	-------	---	----	---	-------	---	----

EAN:4024506629417

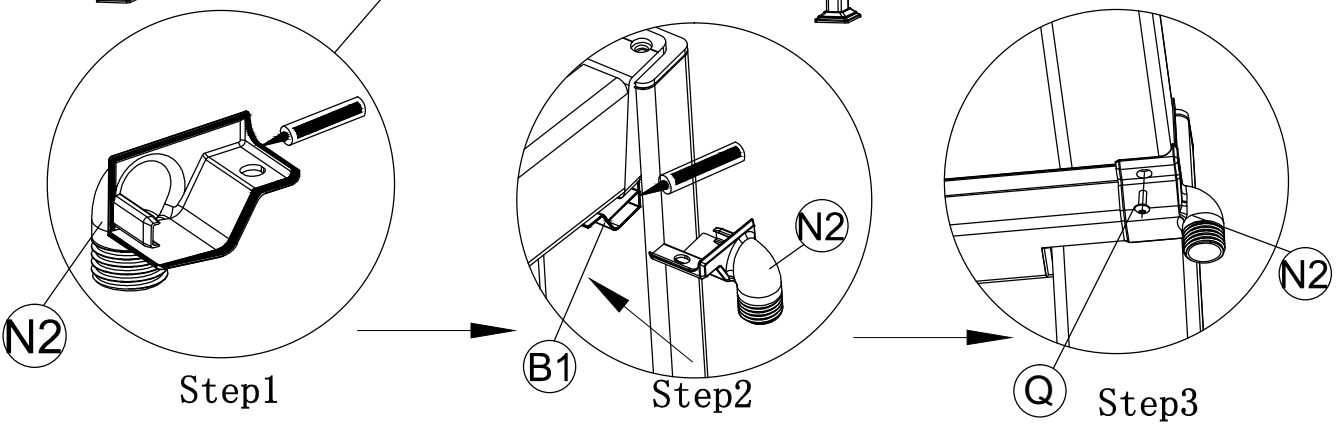
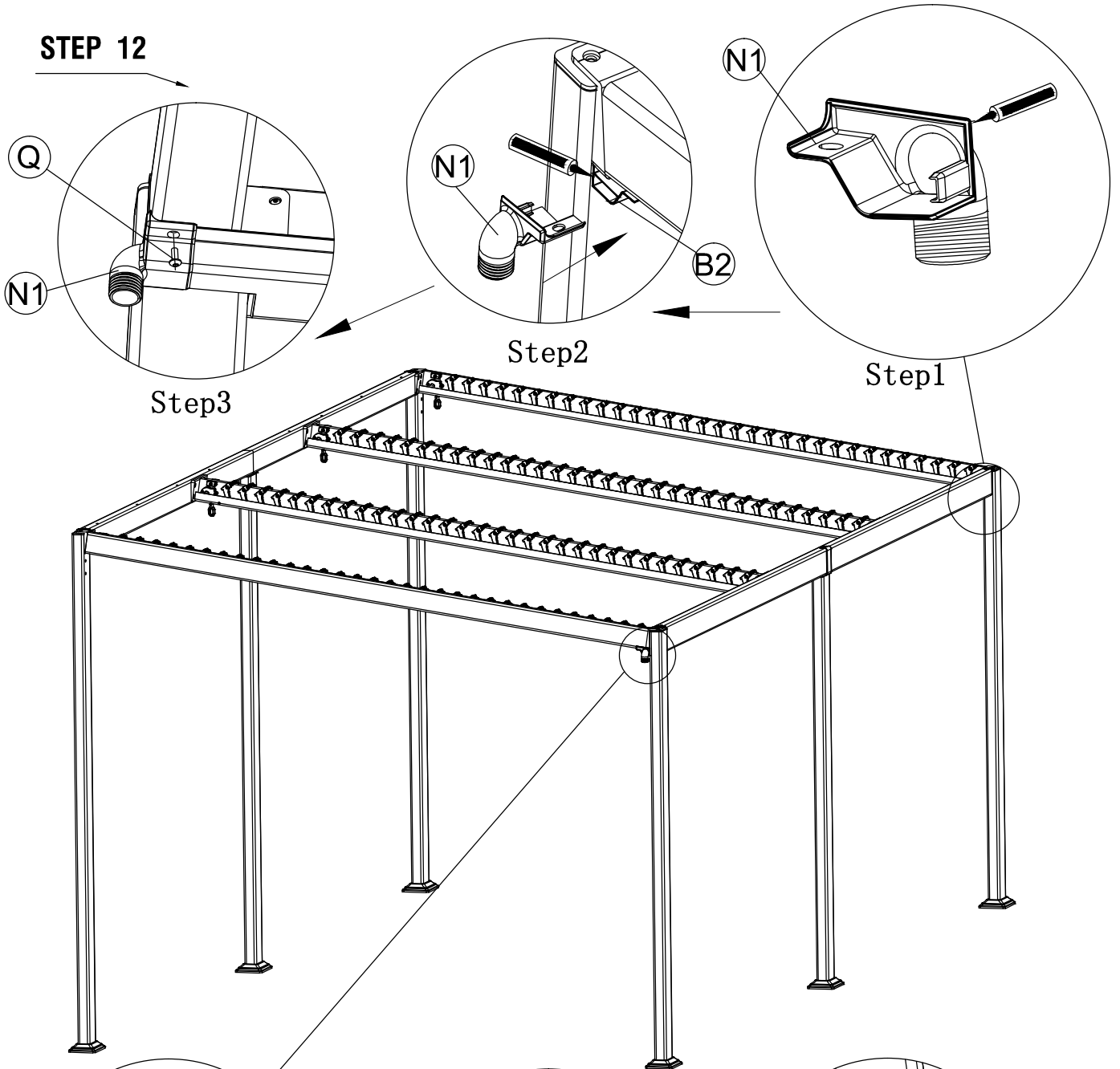
STEP 11



	M8*20	Q (X8)		M8*25	Q1 (X8)
---	-------	--------	---	-------	---------

EAN:4024506629417

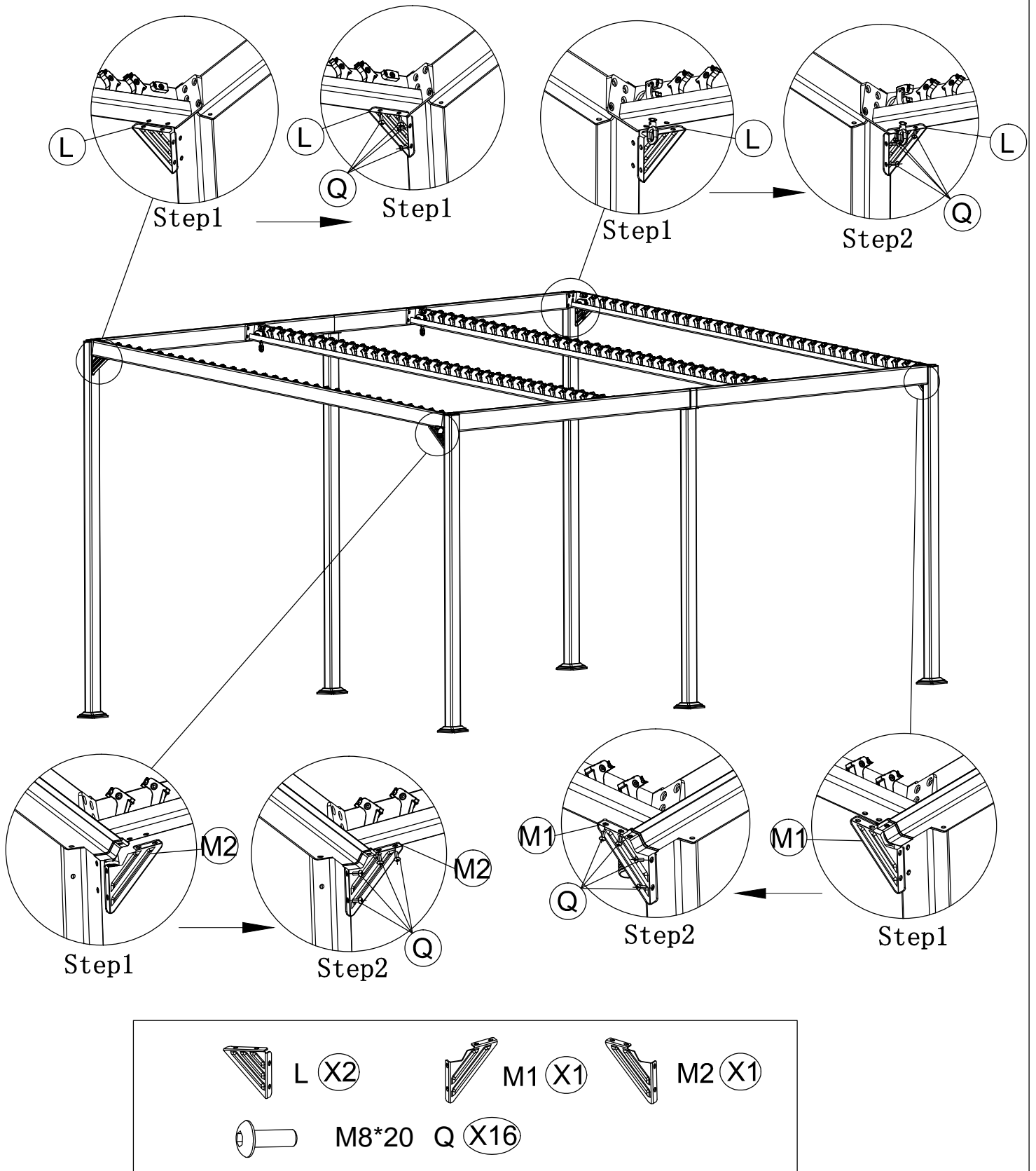
STEP 12



- | | | | | | | | |
|--|---------|--|---------|--|-------|--|--------|
| | N2 (X1) | | N1 (X1) | | M8*20 | | Q (X2) |
|--|---------|--|---------|--|-------|--|--------|

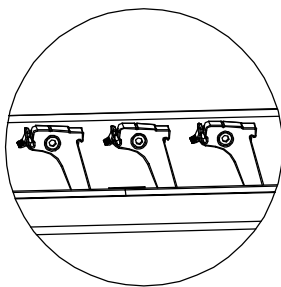
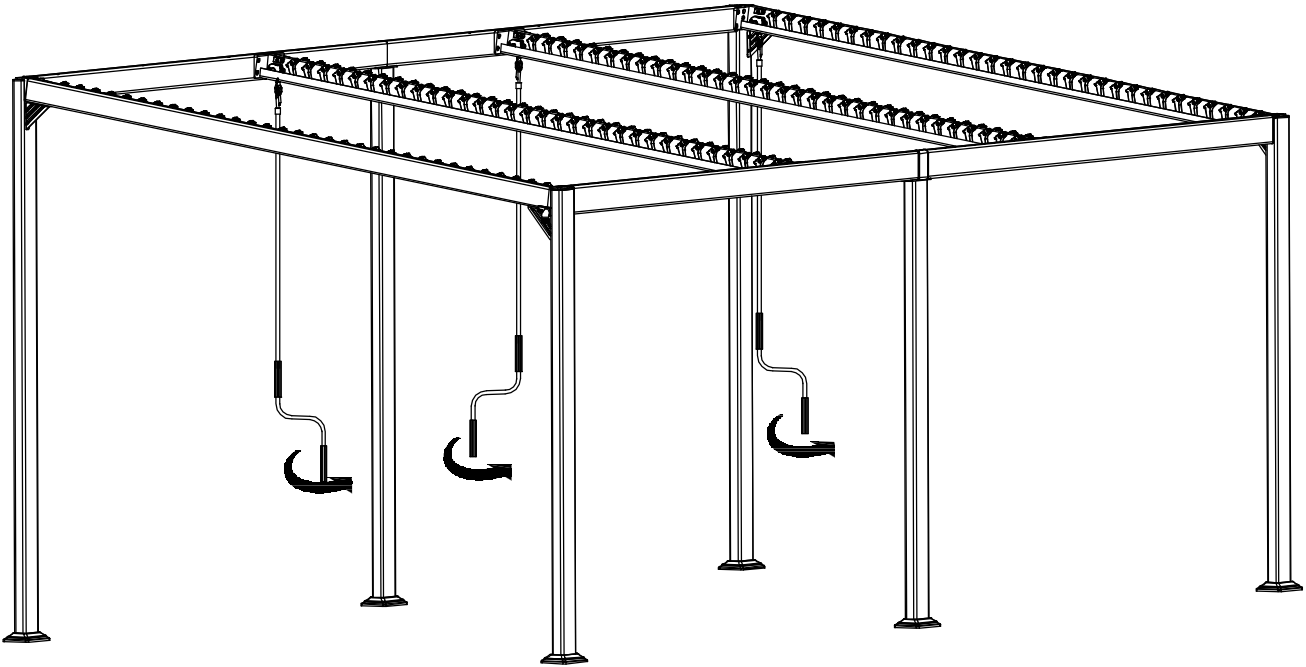
EAN:4024506629417

STEP 13

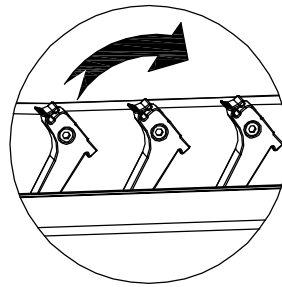
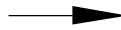


EAN:4024506629417

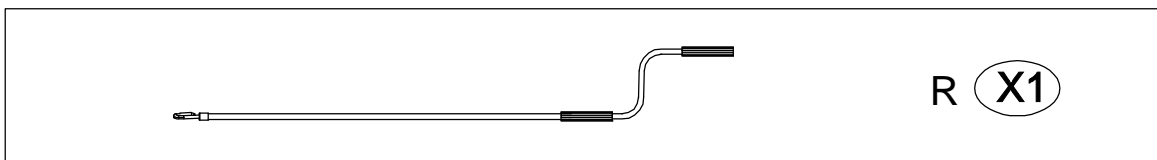
STEP 14



1

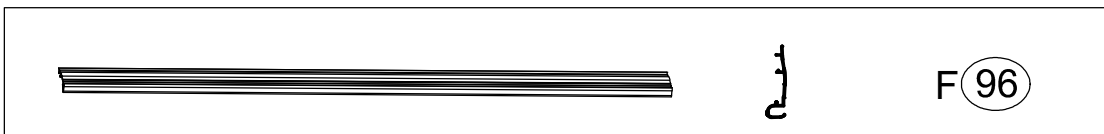
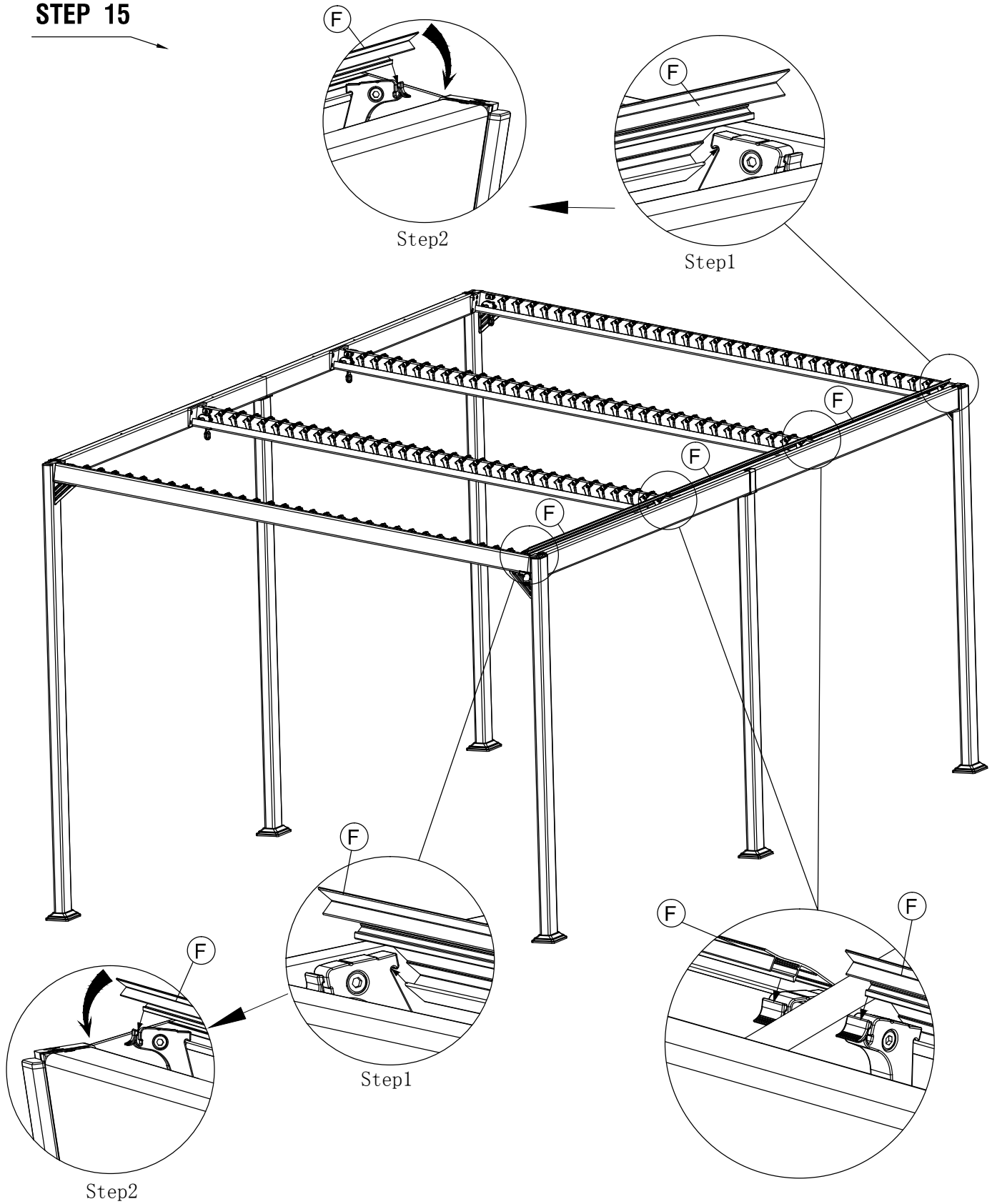


2



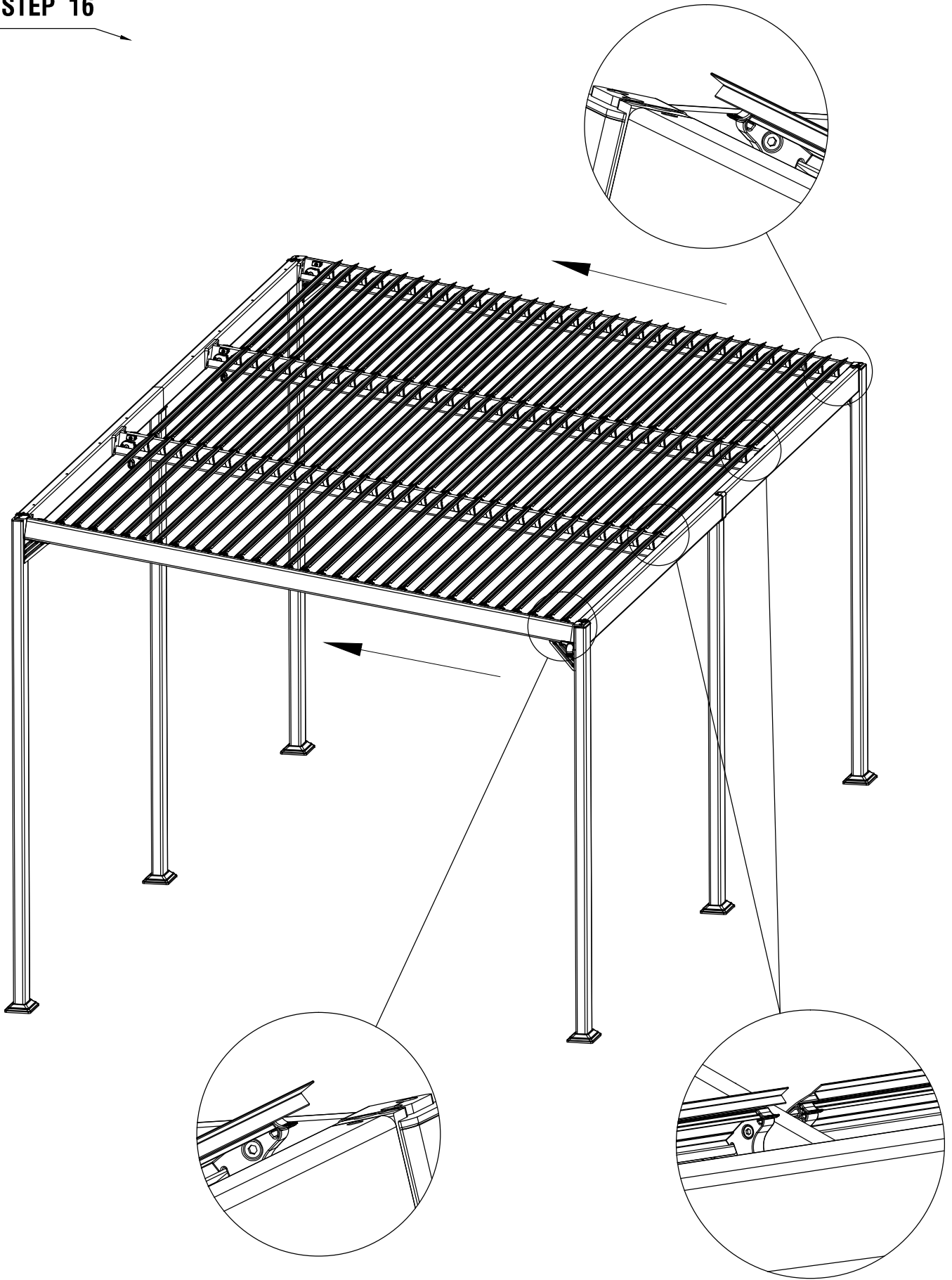
R (X1)

STEP 15



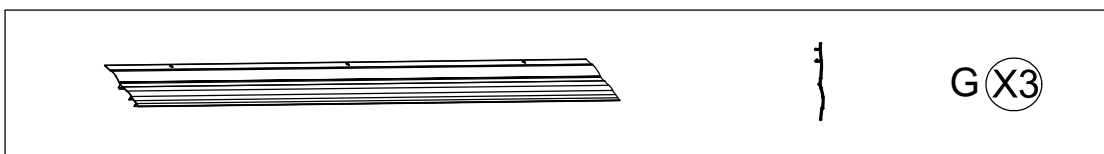
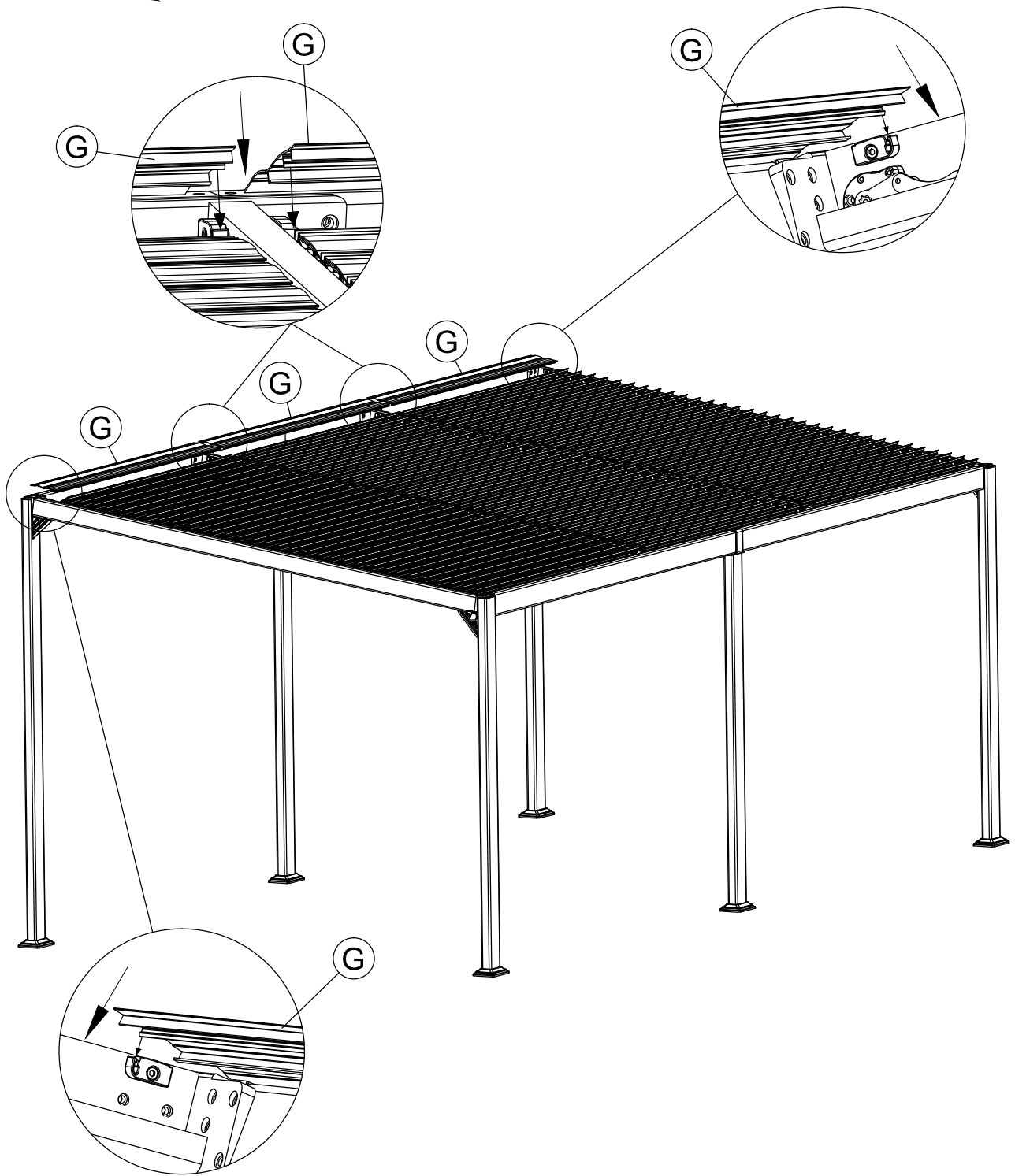
EAN:4024506629417

STEP 16



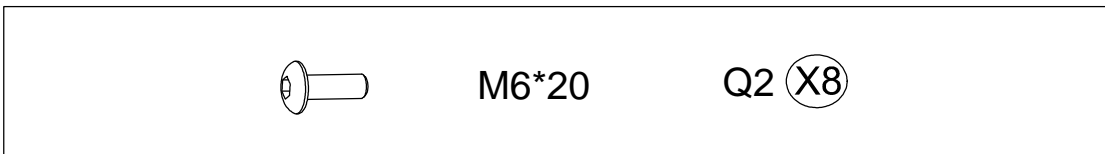
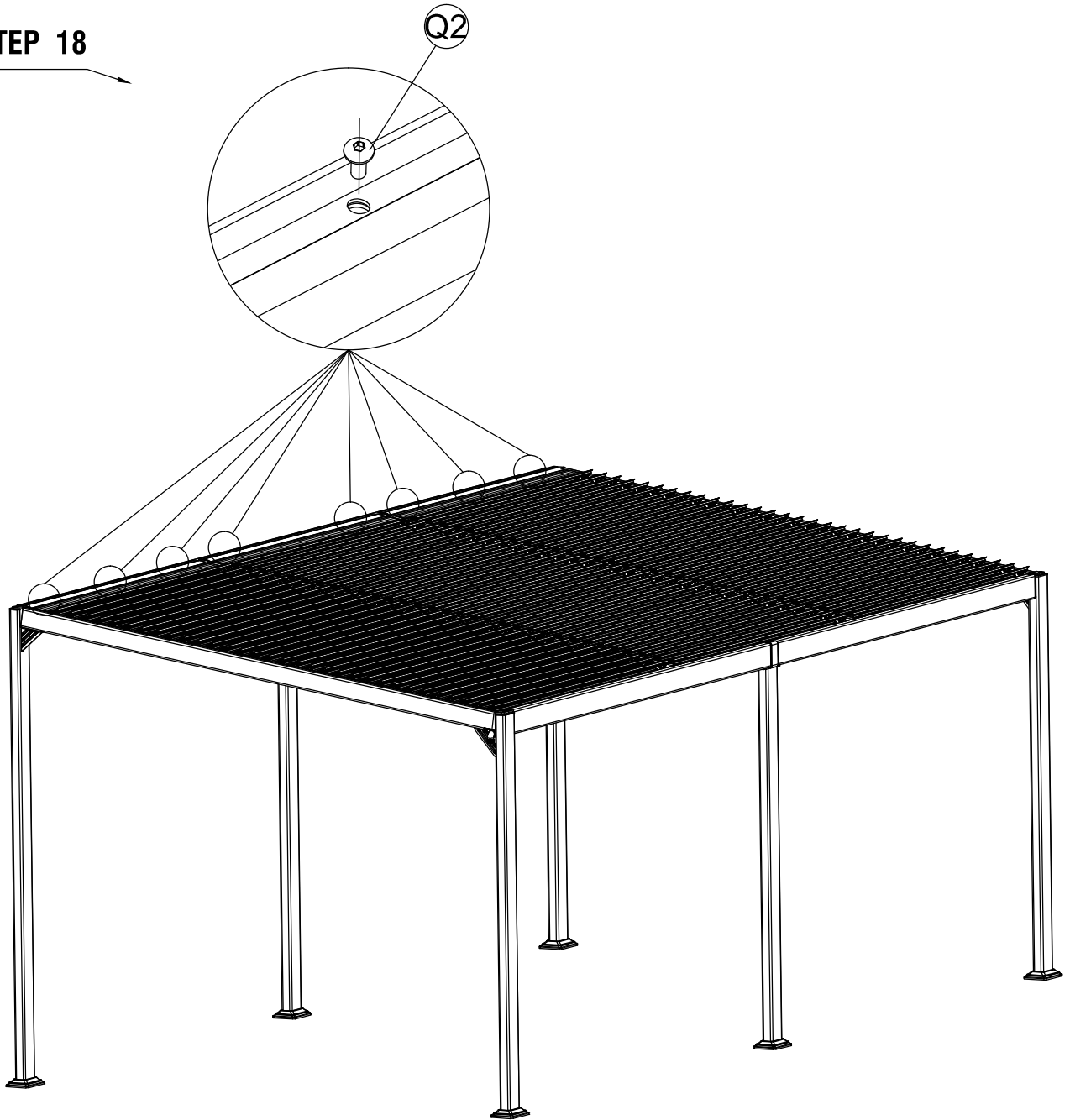
EAN:4024506629417

STEP 17



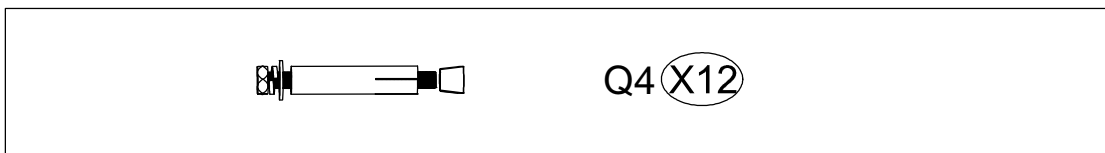
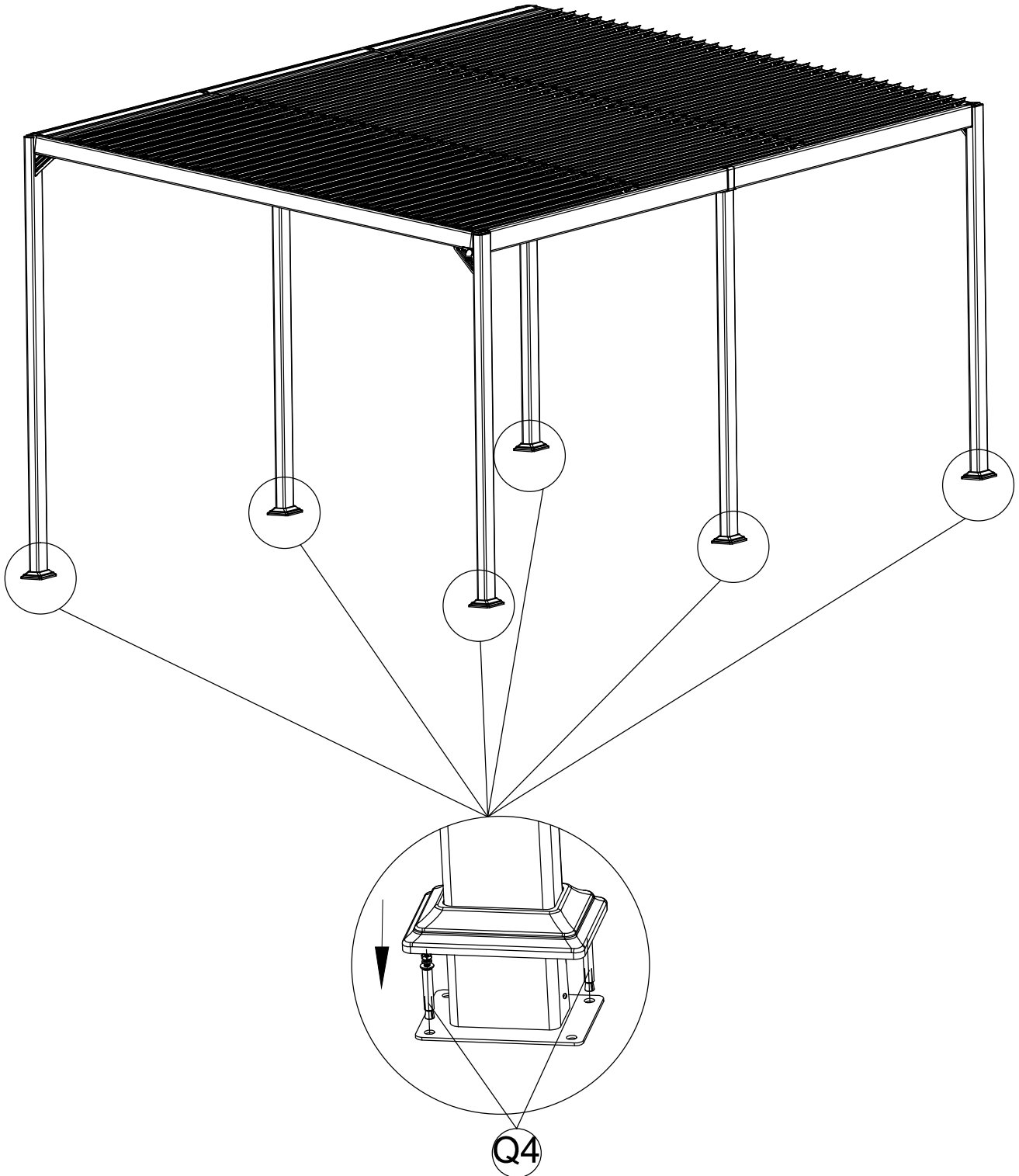
EAN:4024506629417

STEP 18



EAN:4024506629417

STEP 19



EAN:4024506629417