
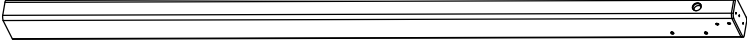

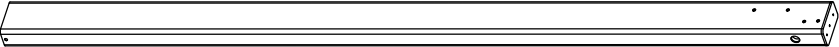
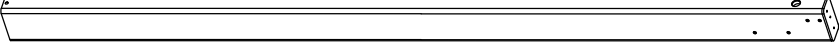

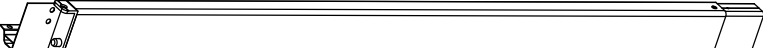







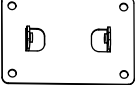


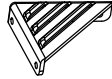

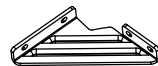


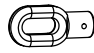
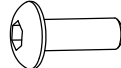
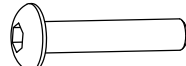
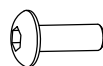
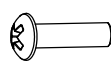

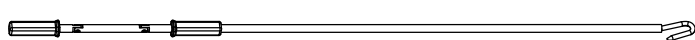






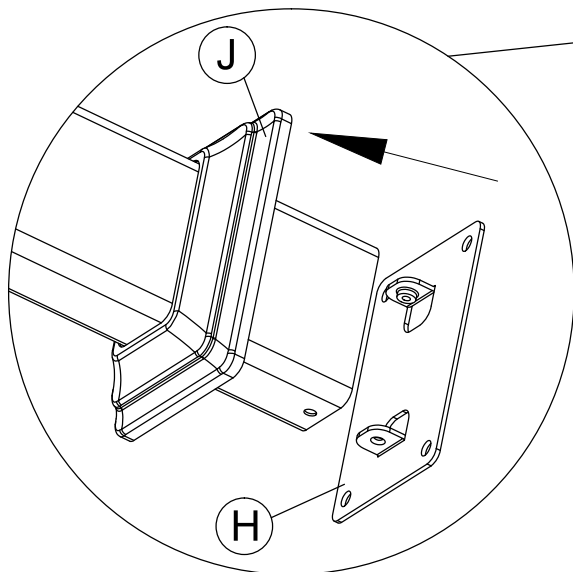
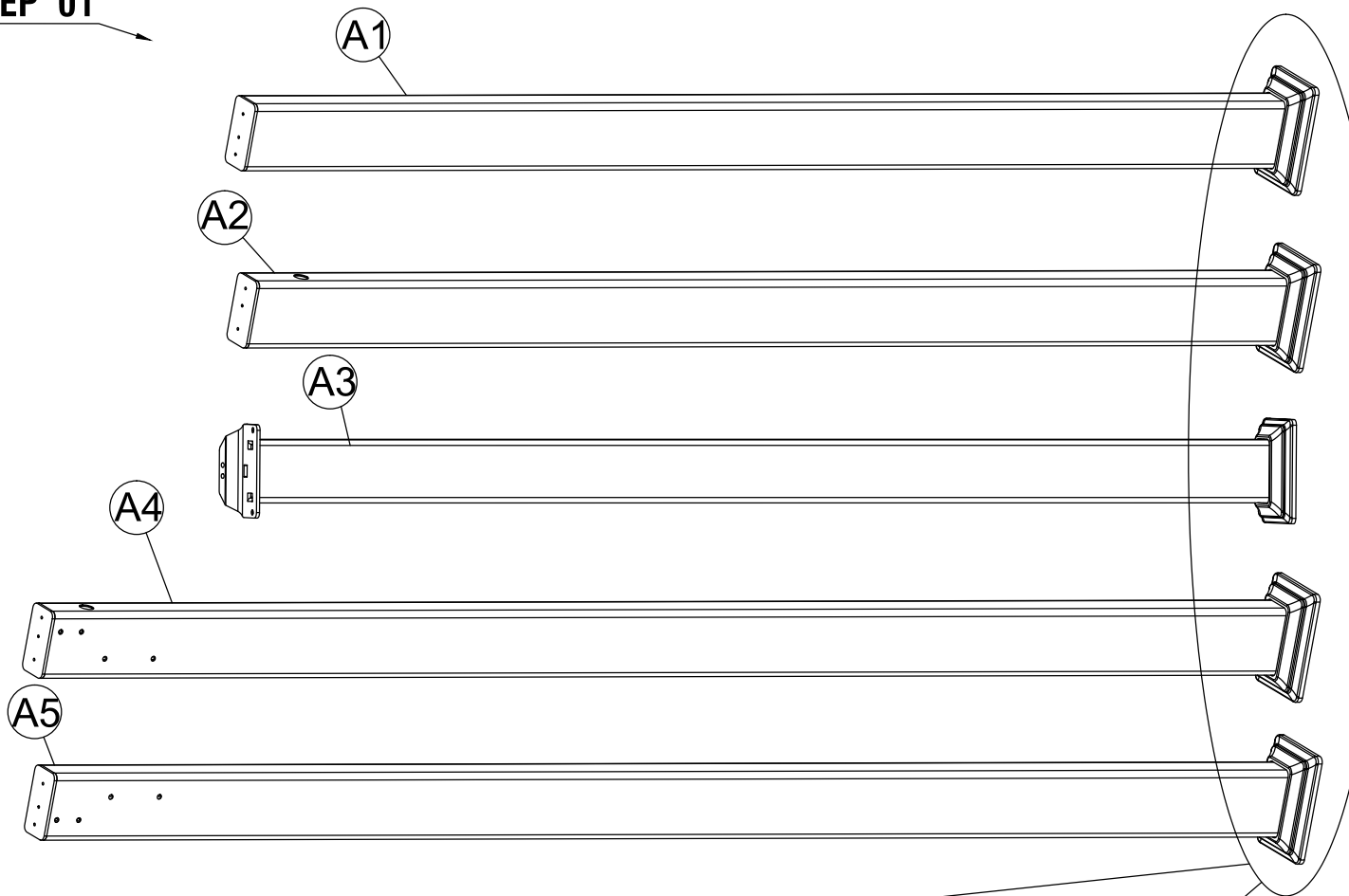
# Palma Pavillon 3x4M



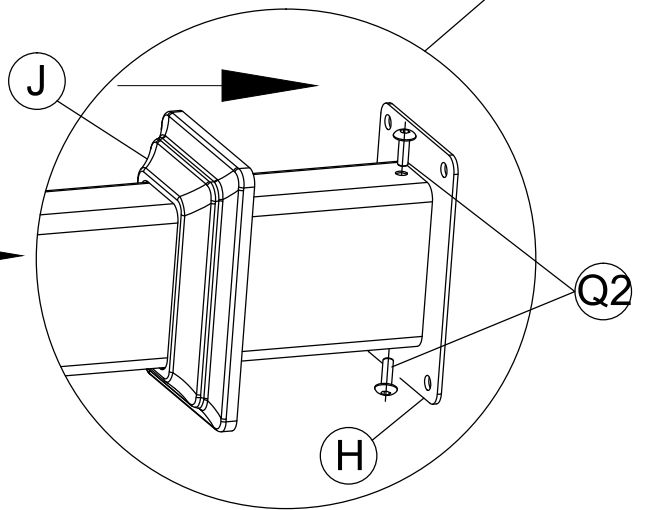
REF	PCE	PIECE	QTY	DIM
	A1		0	1
	A2		0	1
	A3		0	1
	A4		0	1
	A5		0	1
	B1		0	1
	B2		0	1
	C1		0	1
	C2		0	1
	D		0	1
	E1		0	1
	E2		0	1
	F		1	64
	G		1	2
	H		5	

REF	PCE	PIECE		QTY	DIM
	J			5	
	K			1	
	L			2	
	M1			1	
	M2			1	
	N1			1	
	N2			1	
	P			2	
	Q		M8*20	44+2	
	Q1		M8*25	12+1	
	Q2		M6*20	21+2	
	Q3		M4*18	2	
	Q4			20	
	R			2	
	S1			1	
	S2			1	
	S3			2	
	U		GLASS GLUE CAN BUY FROM THE SUPERMARKET	1	

**STEP 01**



**step1**

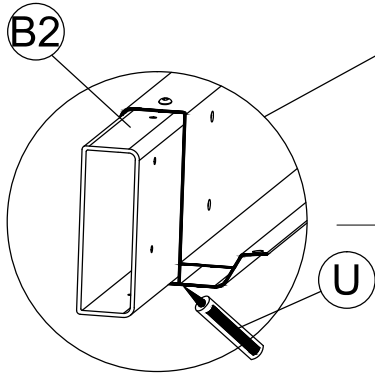
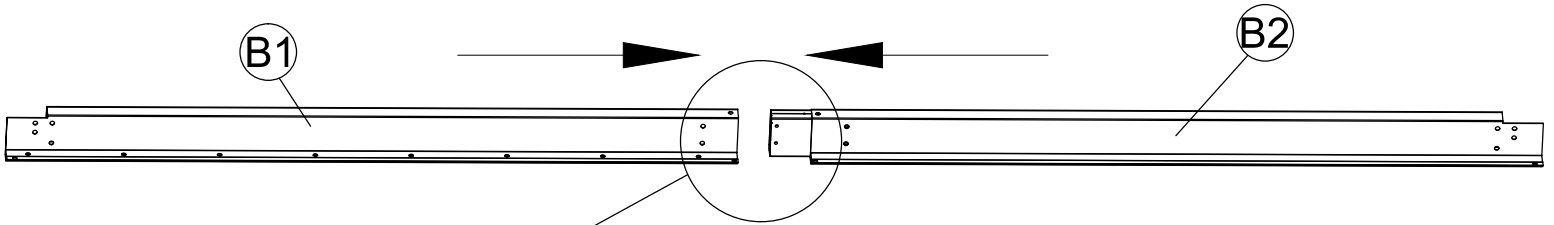


**step2**

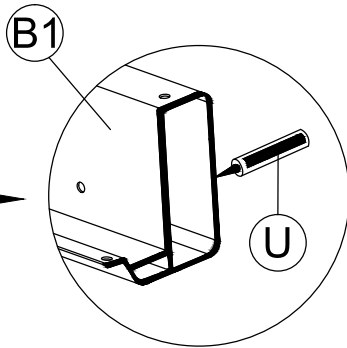
	<input type="checkbox"/> A1 (X1)		H (X5)
	<input type="checkbox"/> A2 (X1)		J (X5)
	<input type="checkbox"/> A3 (X1)		M6*20 Q2 (X10)
	<input type="checkbox"/> A4 (X1)		
	<input type="checkbox"/> A5 (X1)		



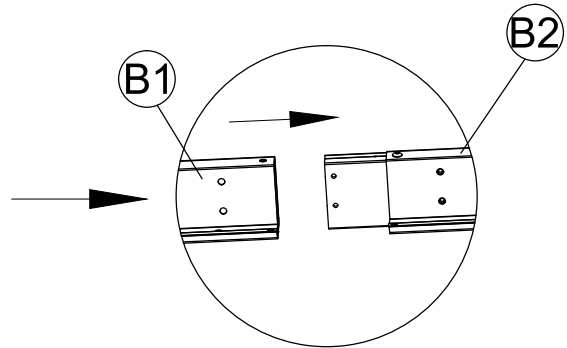
**STEP 02**



**step1**

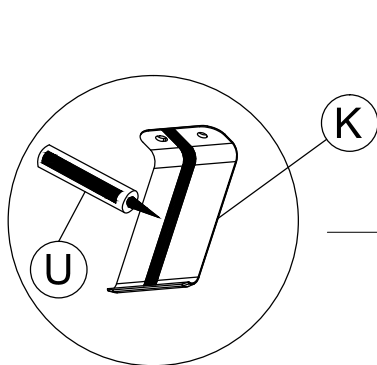
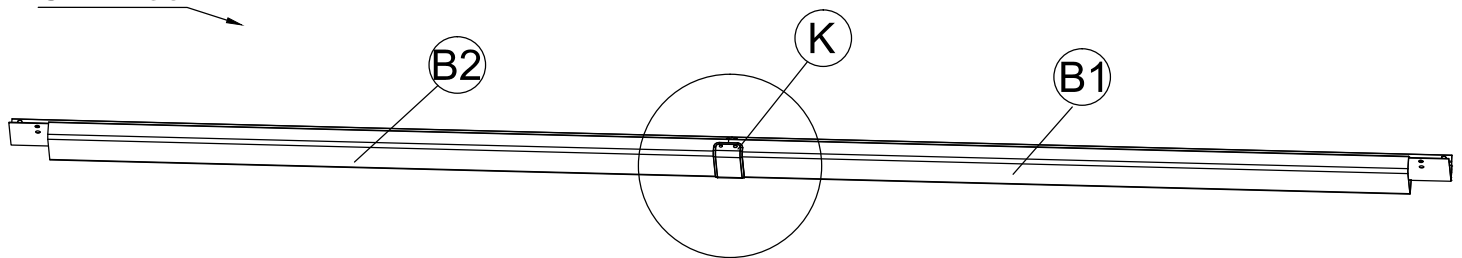


**step2**

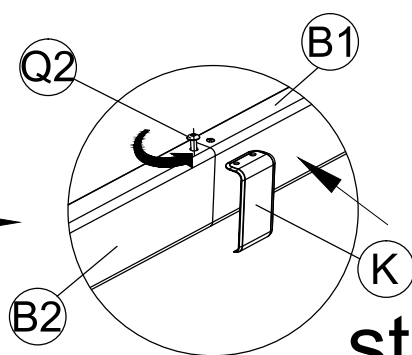


**step3**

**STEP 03**

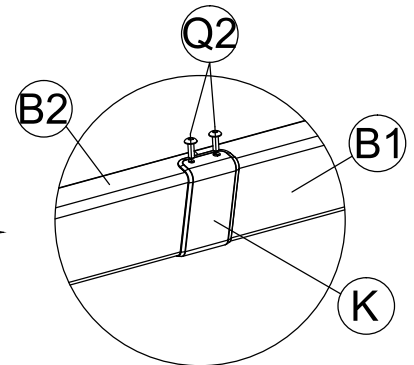


**step1**

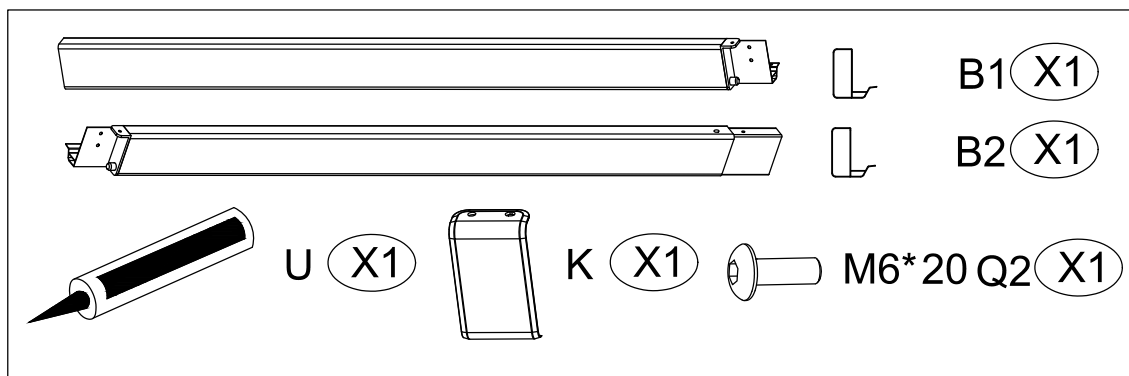


**step2**

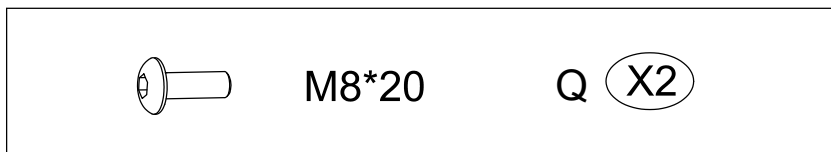
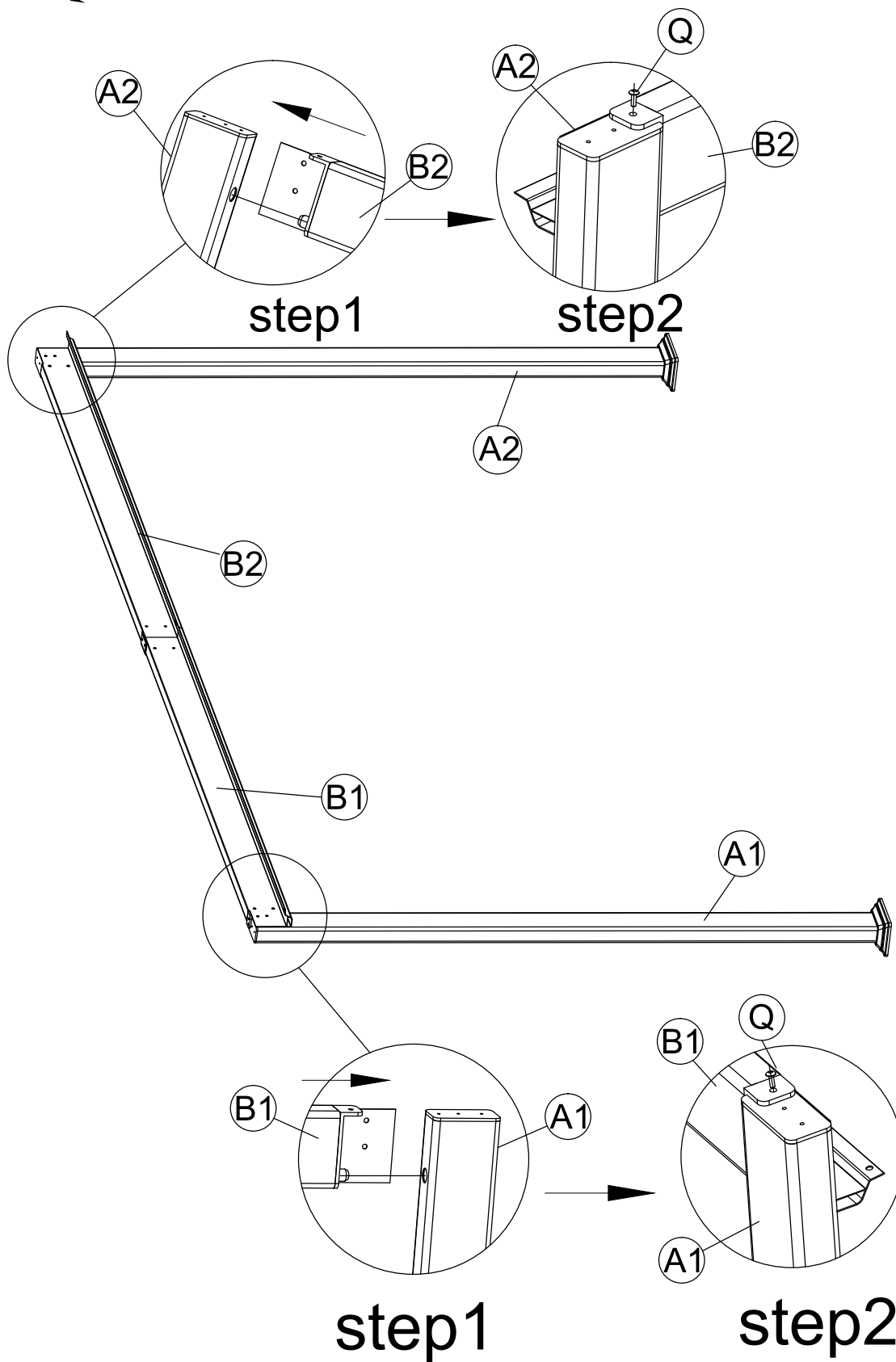
Back out the screw Q2 before assembled part K



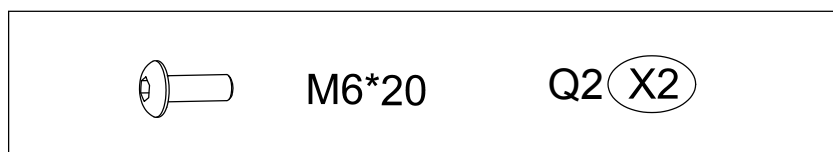
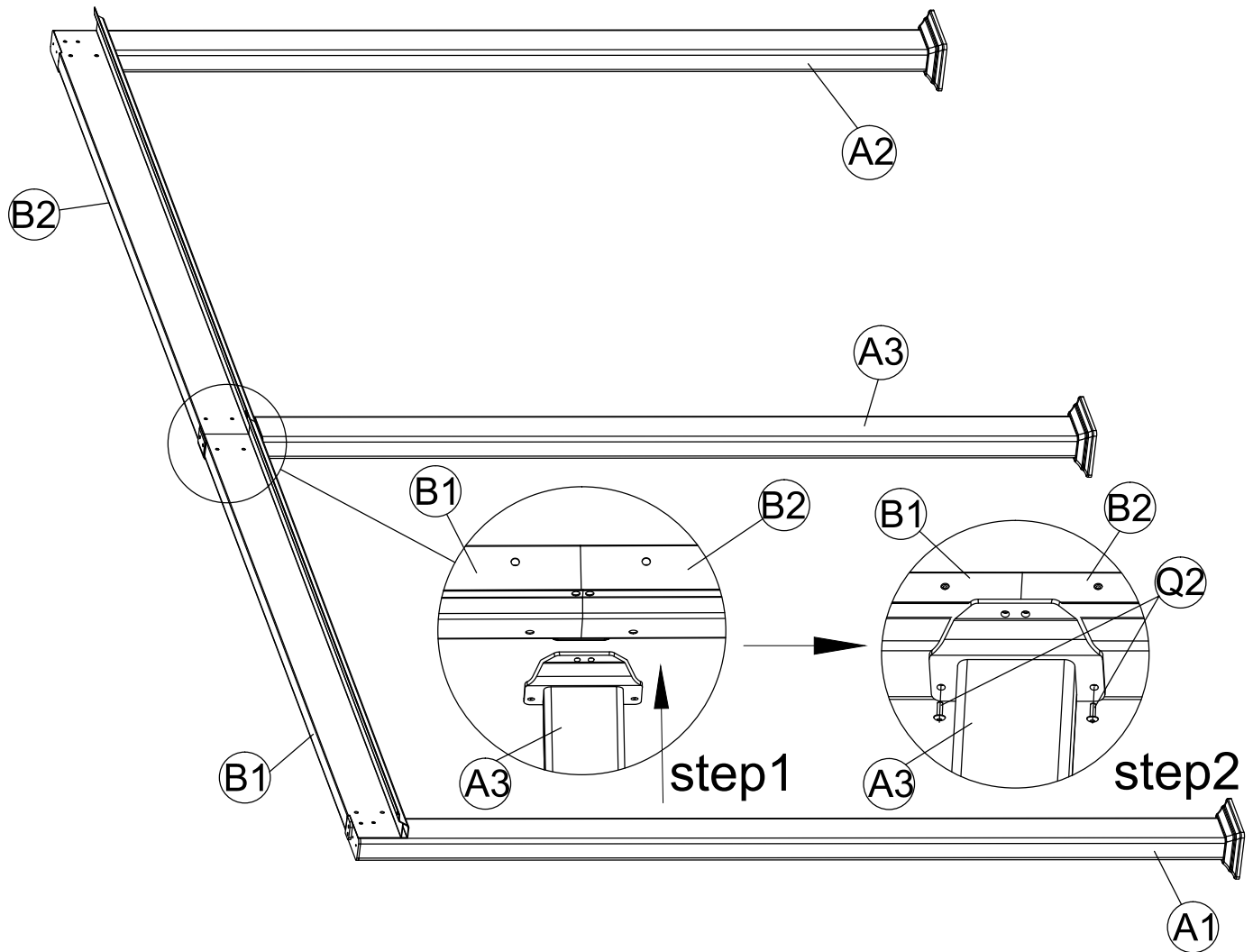
**step3**



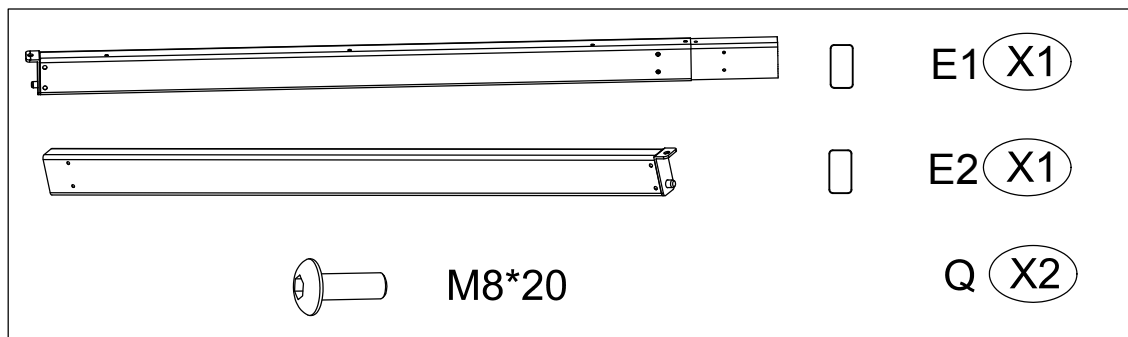
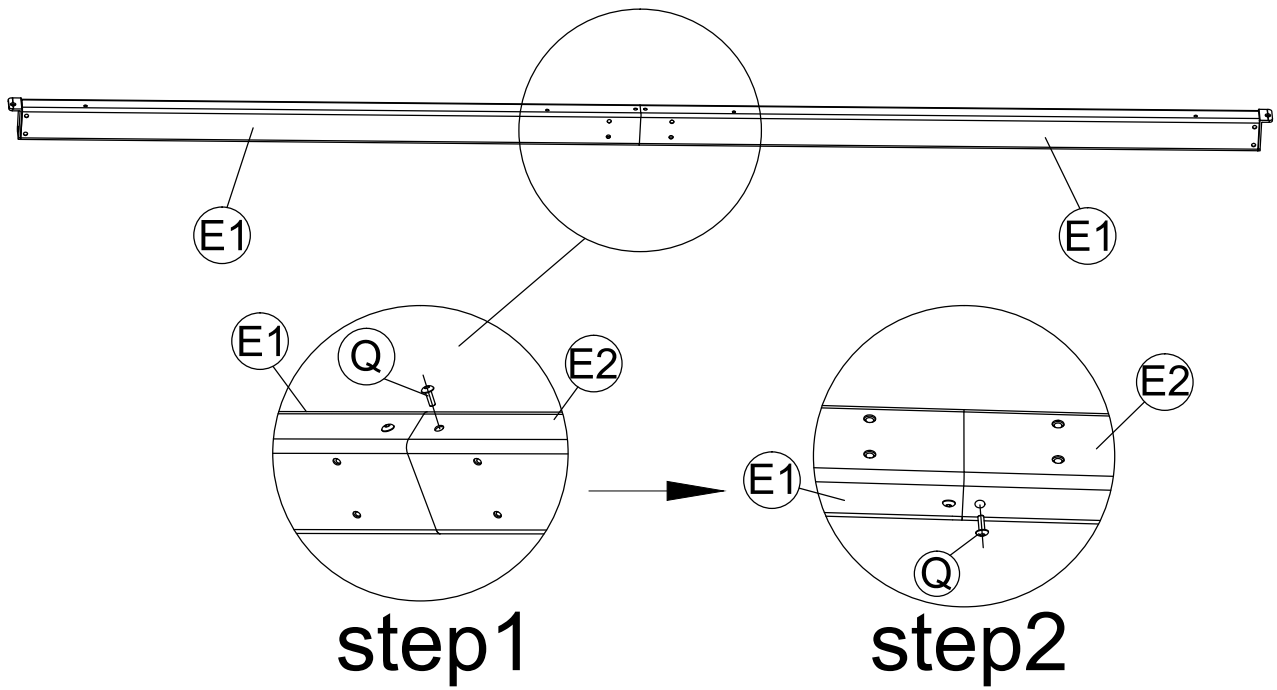
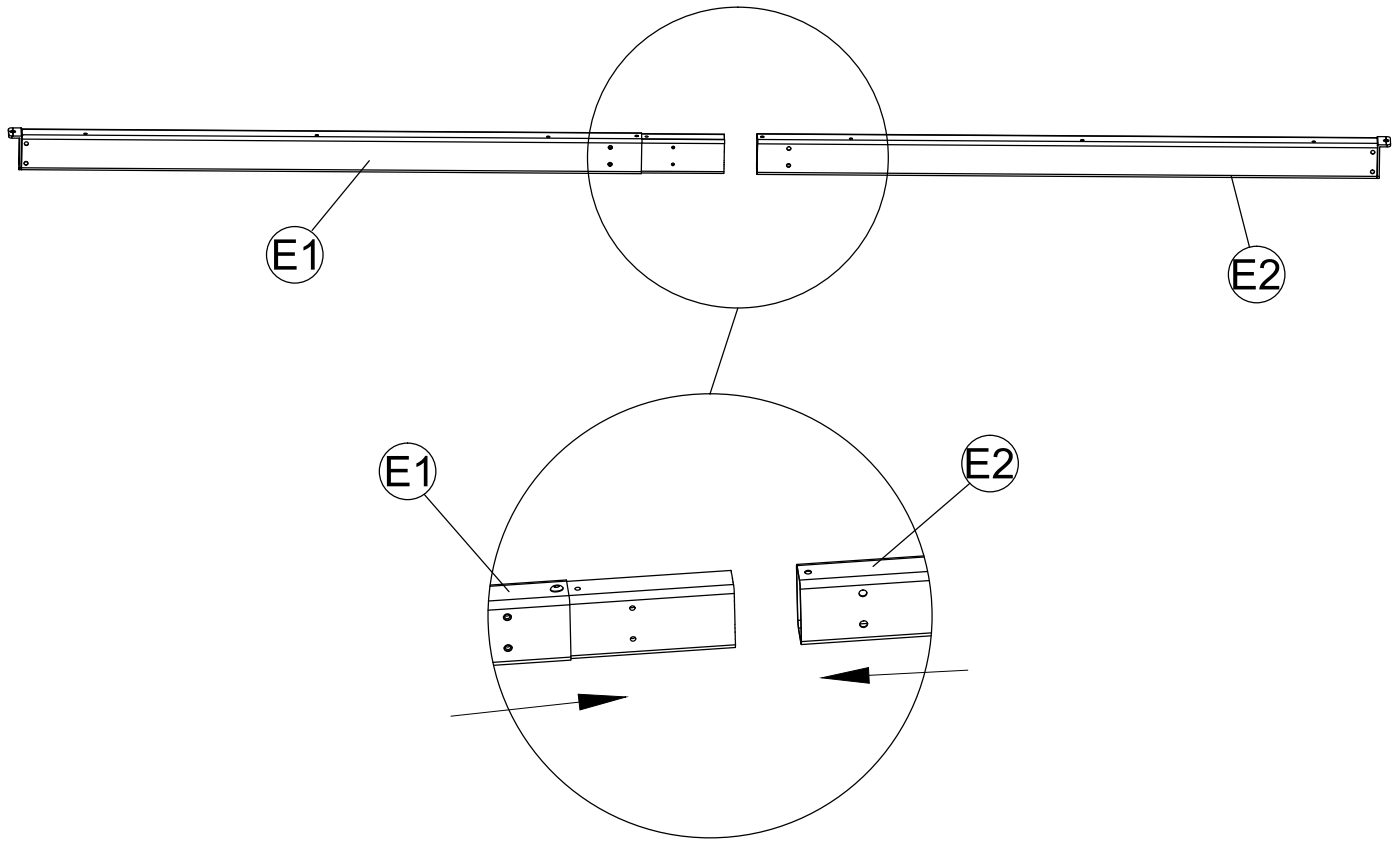
**STEP 04**



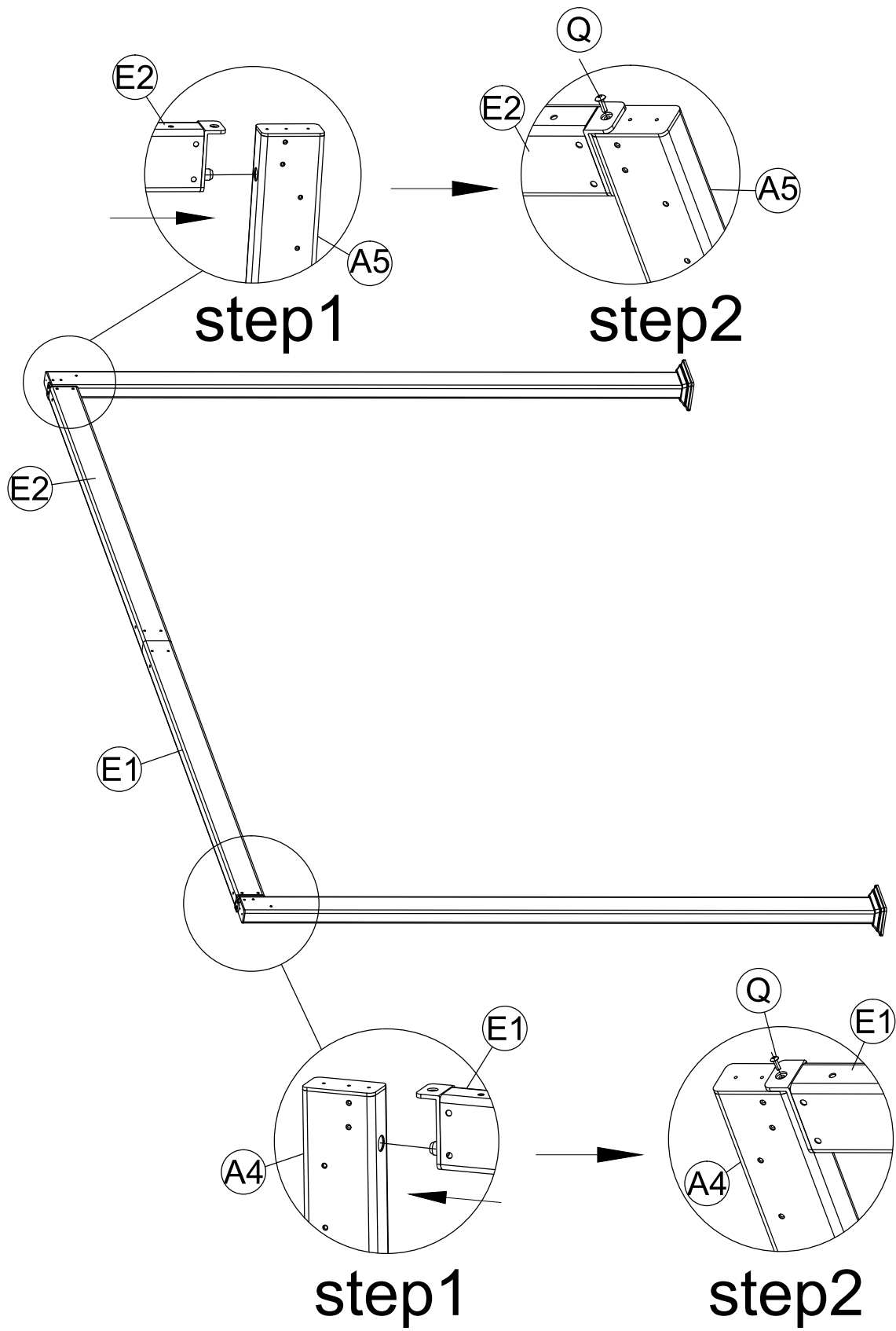
**STEP 05**

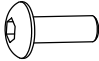


**STEP 06**

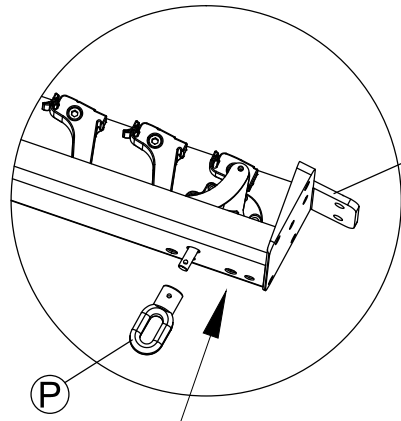
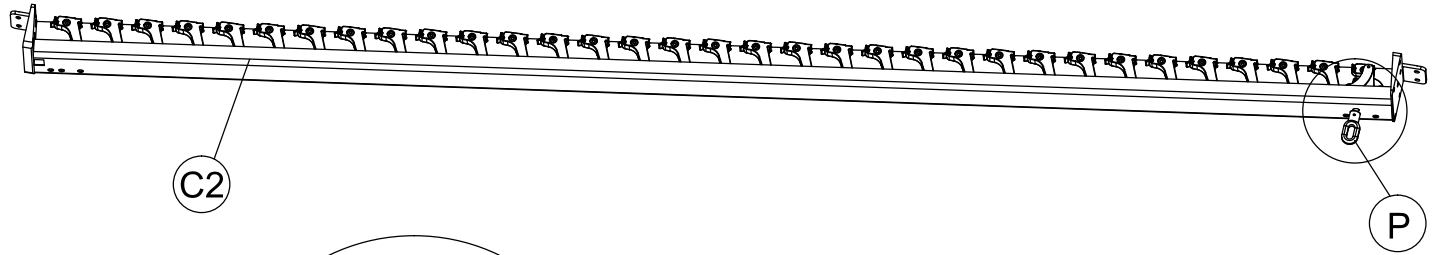


**STEP 07**

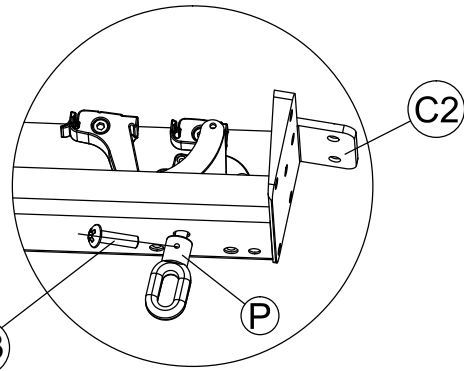


	M8*20	Q (X2)
---	-------	--------

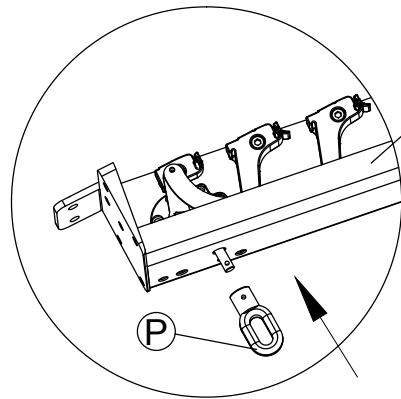
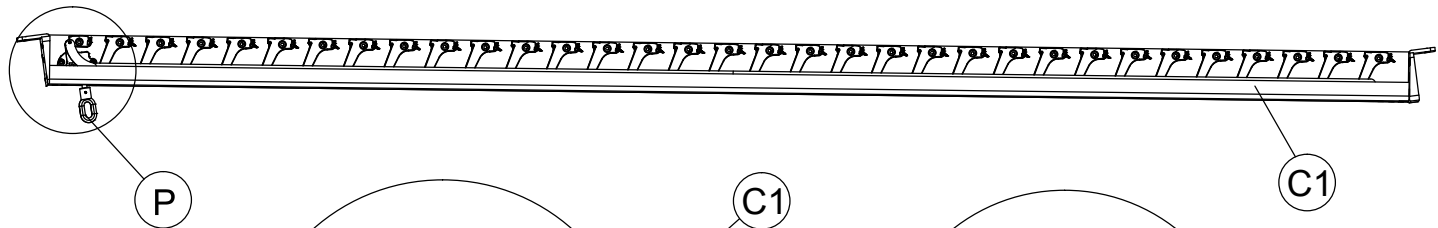
**STEP 08**



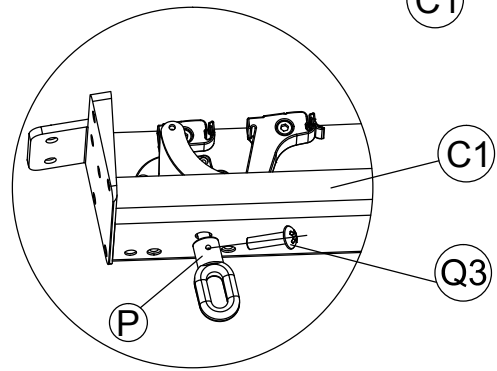
**step1**



**step2**



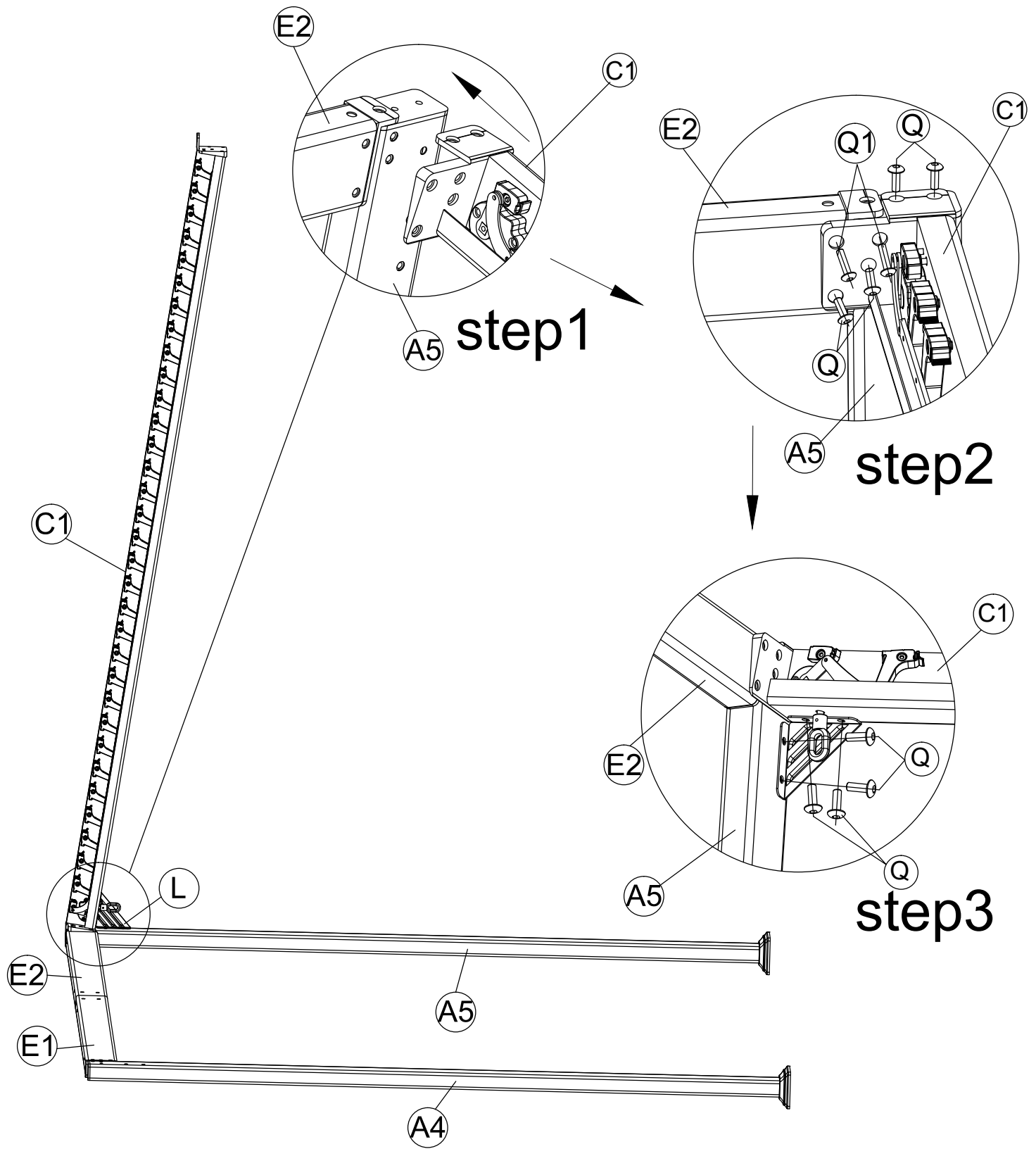
**step1**

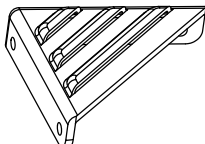
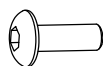
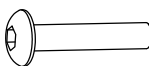


**step2**

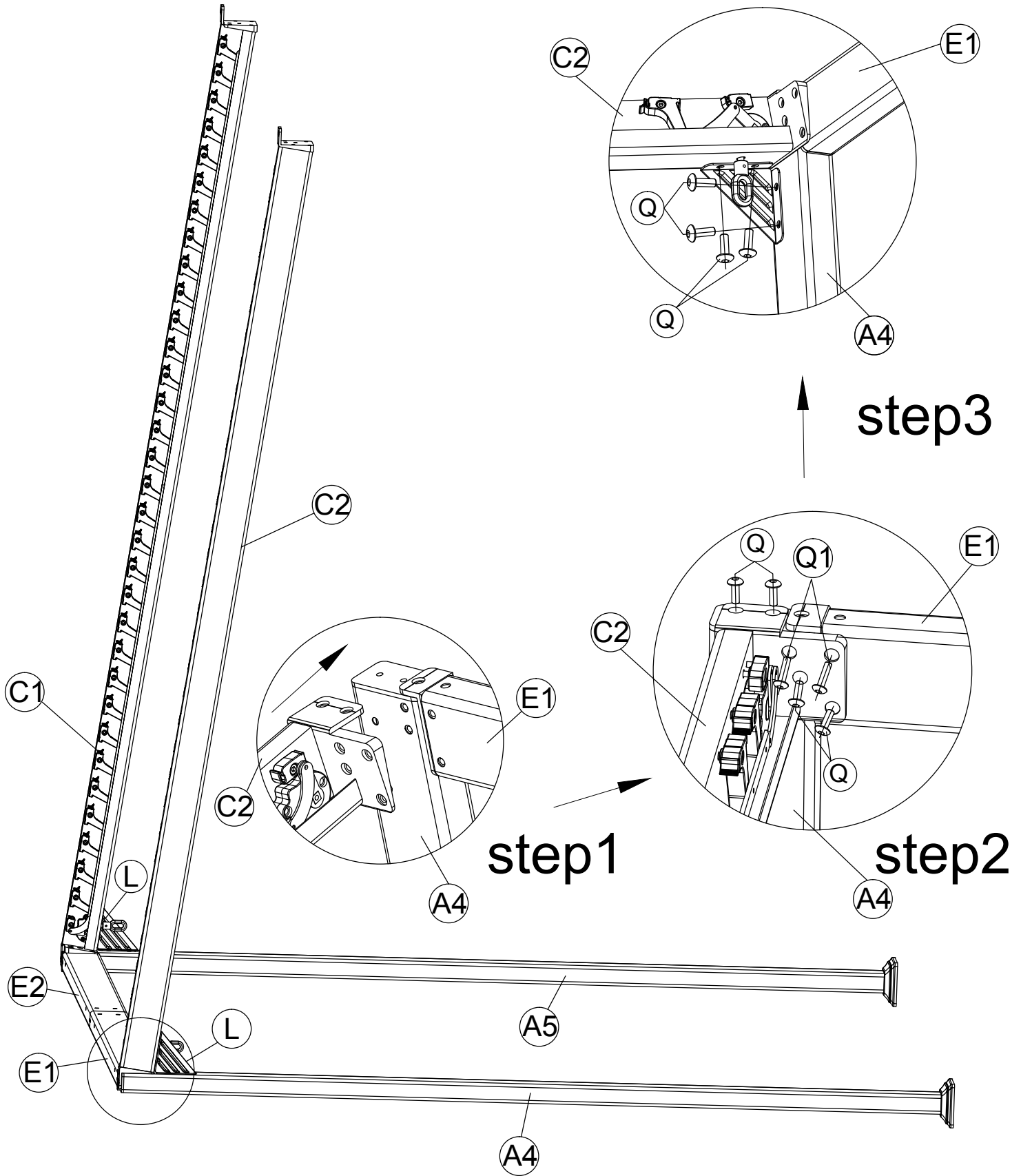
	C1	X1
	C2	X1
	P	X2
	M4*18	
	Q3	X2

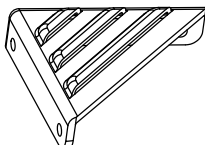
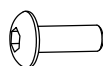
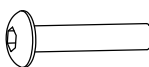
**STEP 09**



	L (X1)		M8*20	Q (X8)
			M8*25	Q1 (X2)

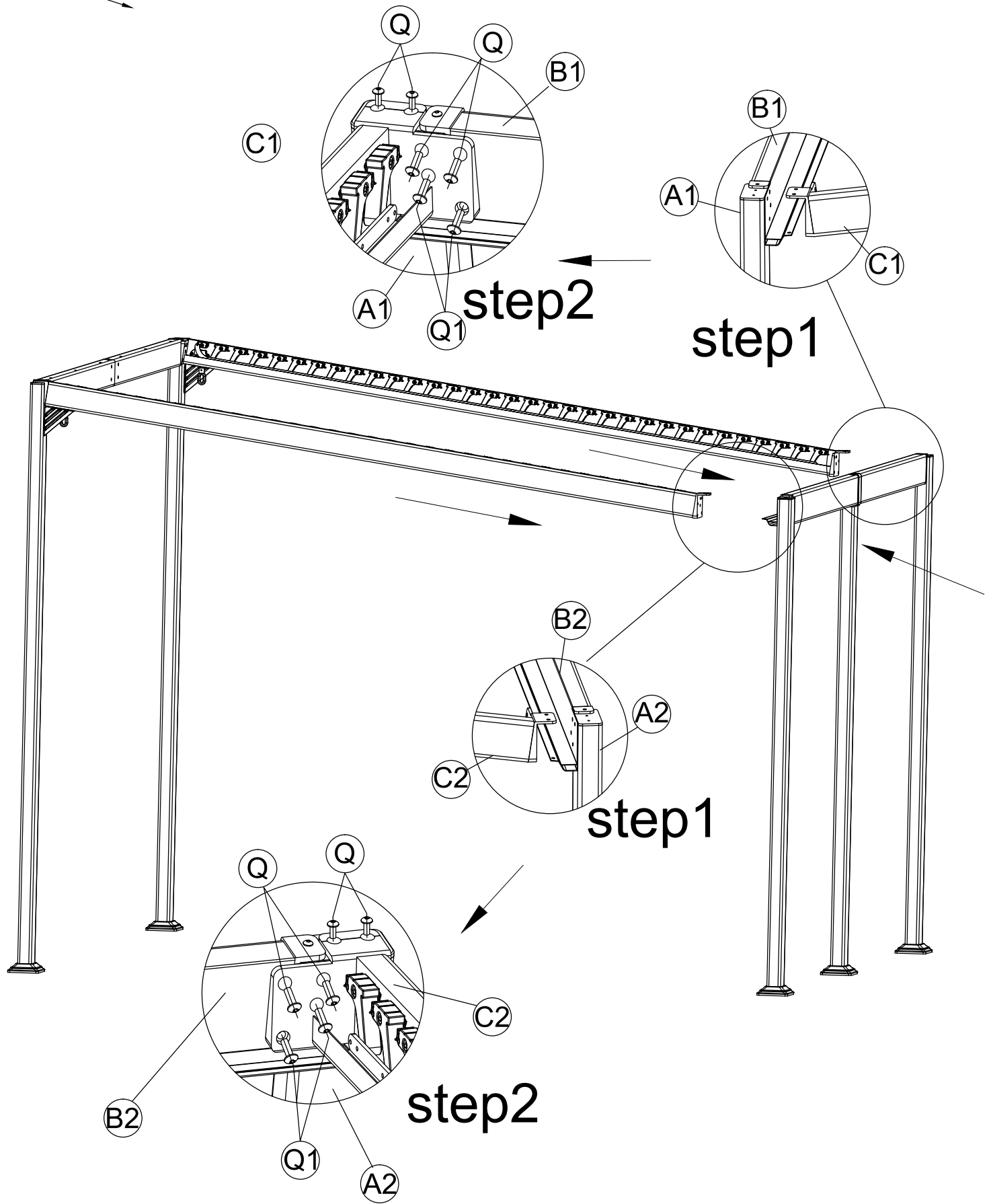
**STEP 10**

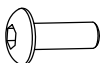
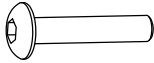


	L (X1)		M8*20	Q (X8)
			M8*25	Q1 (X2)

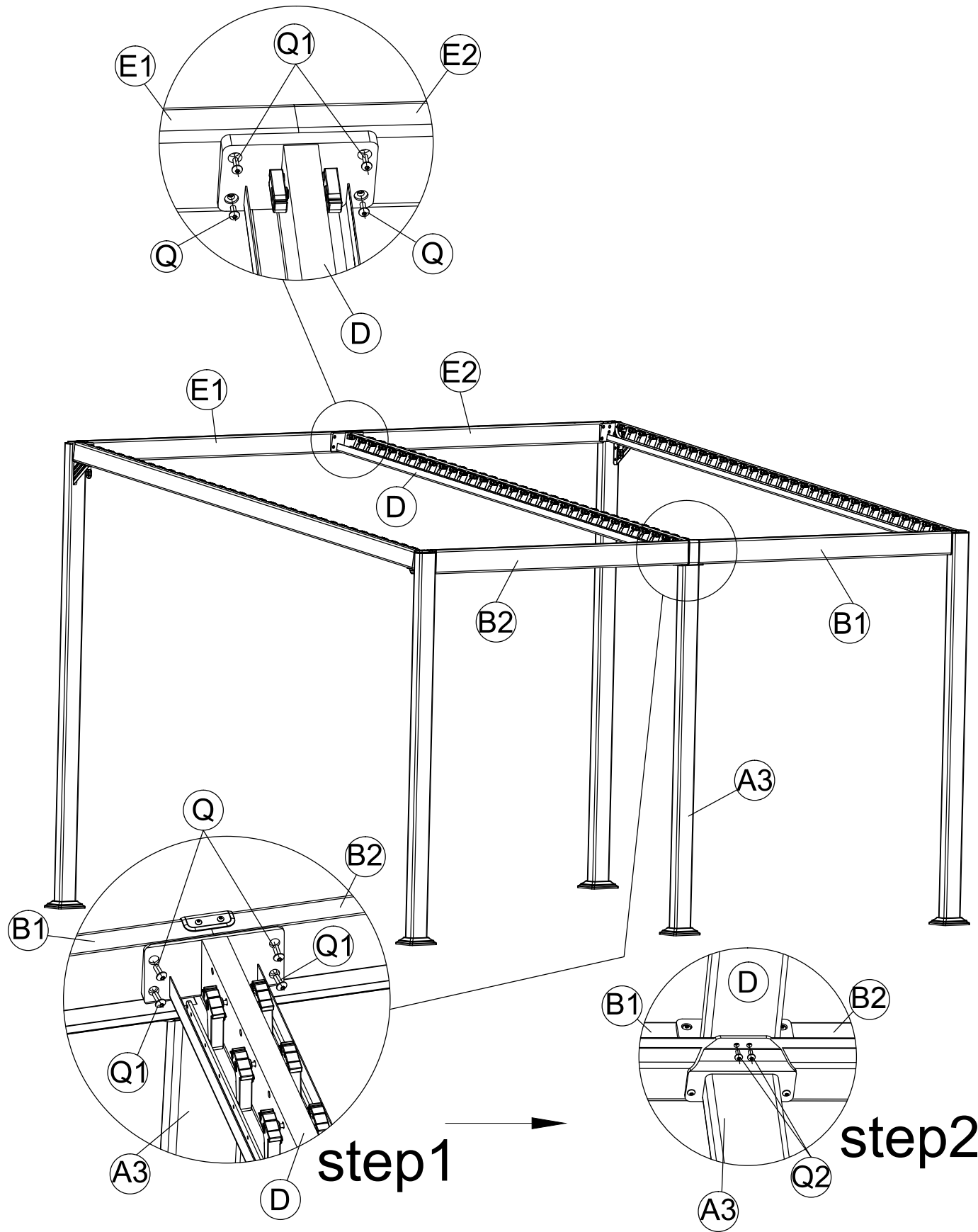


**STEP 11**



	M8*20	Q	X8		M8*25	Q1	X4
---	-------	---	----	--	-------	----	----

**STEP 12**

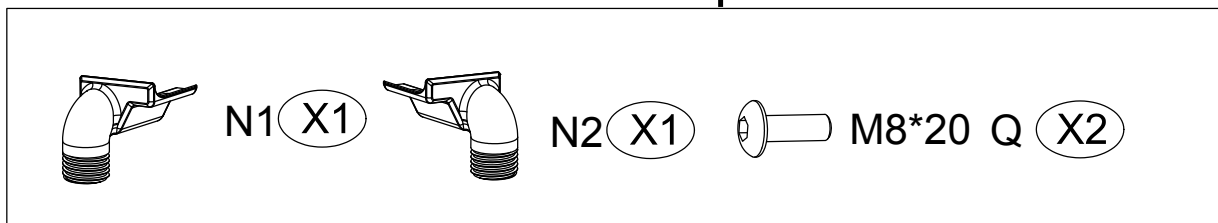
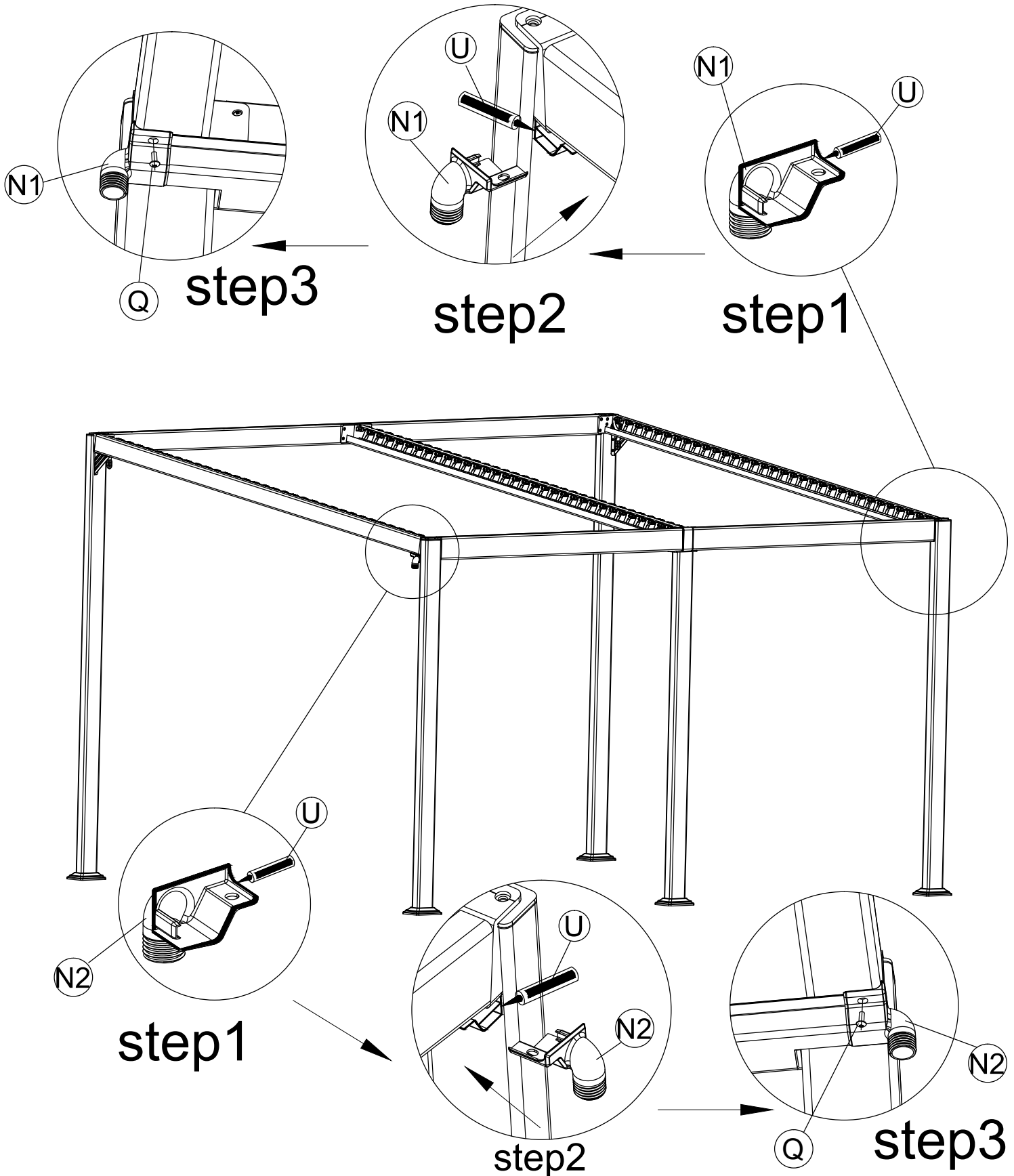


**step1**

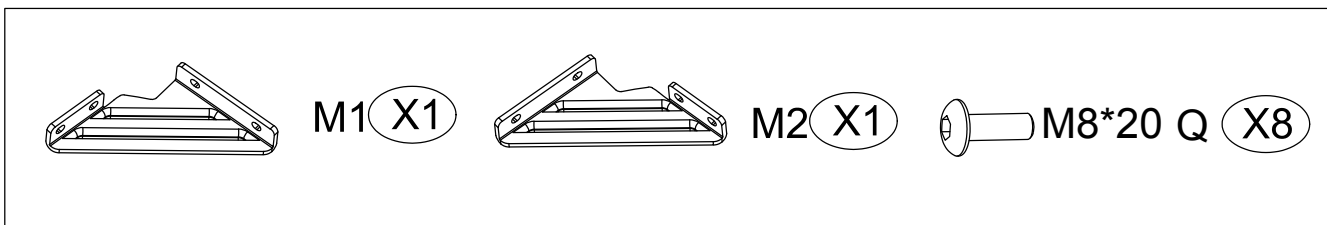
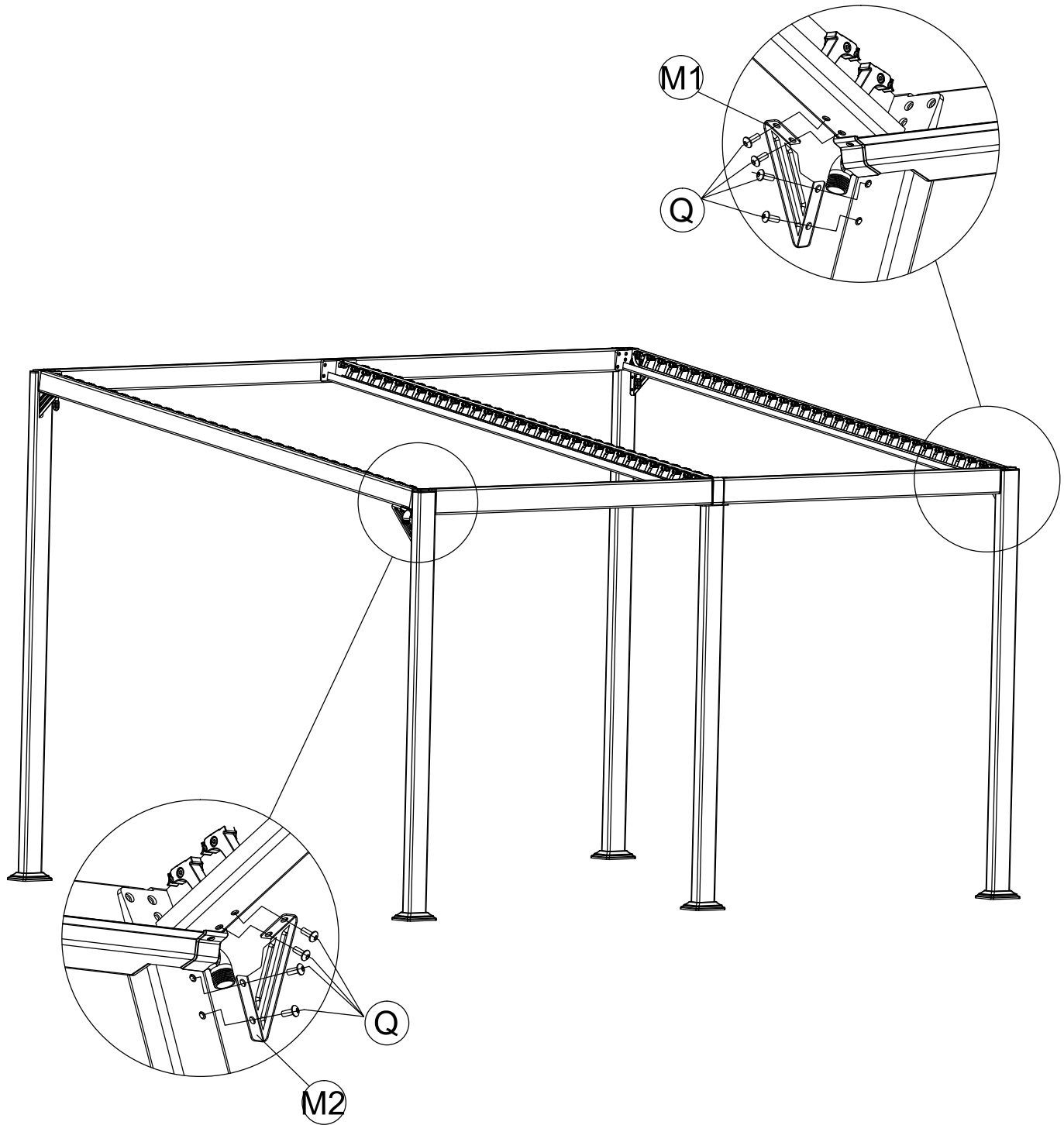
**step2**

	D	X1
	M8*20	Q X4
	M6*20	Q2 X2
	M8*25	Q1 X4

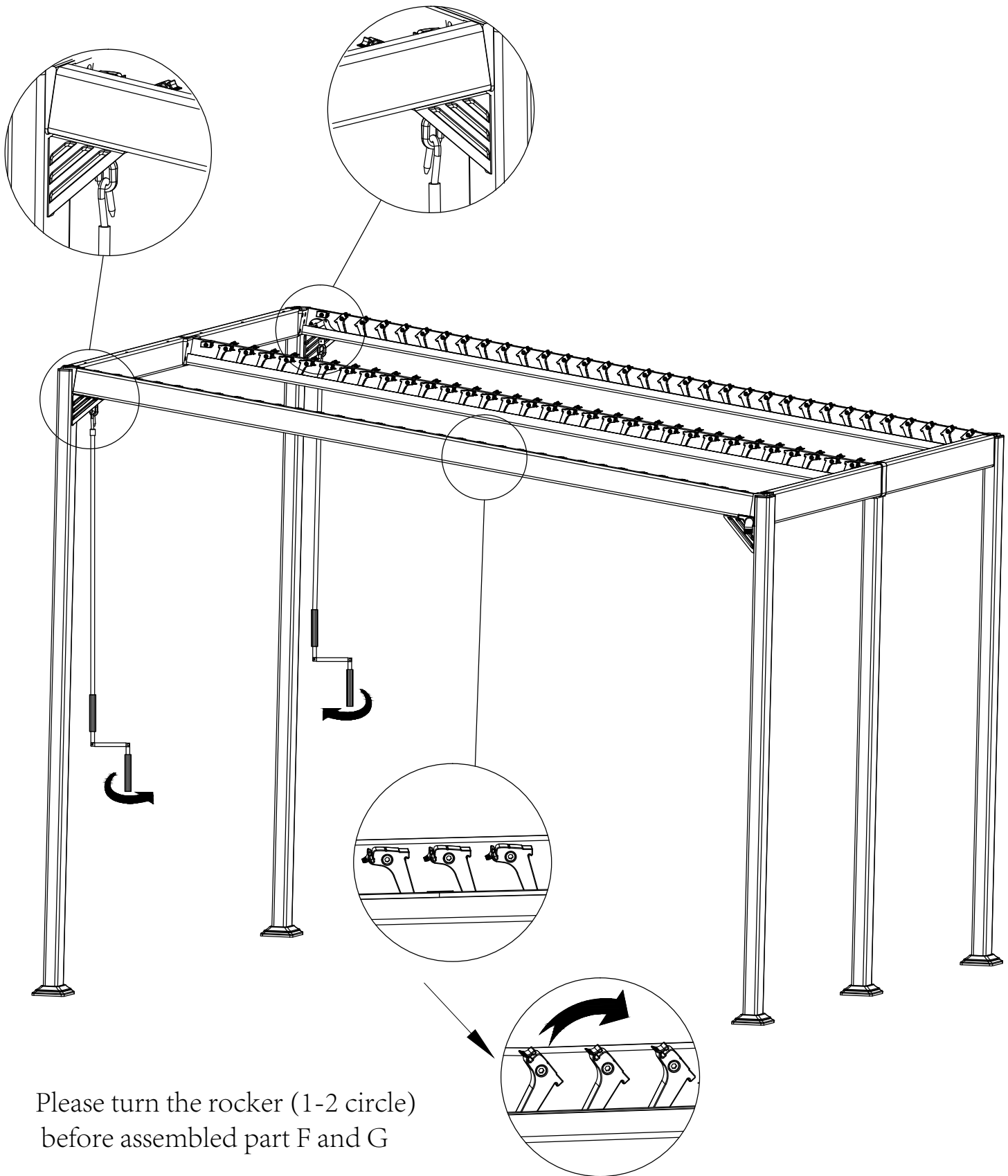
**STEP 13**



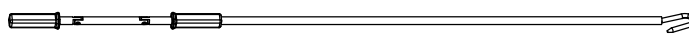
**STEP 14**



**STEP 15**

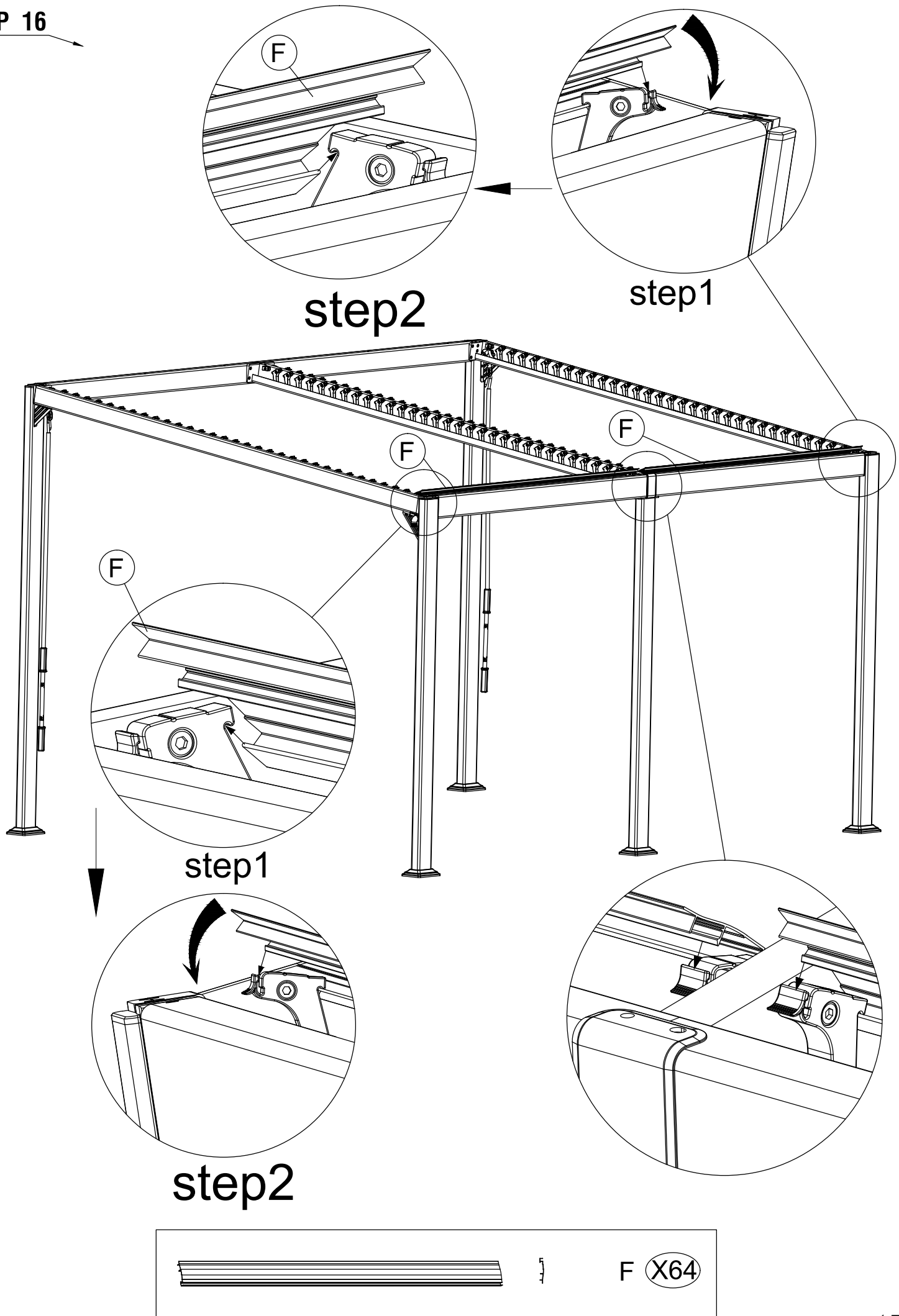


Please turn the rocker (1-2 circle)  
before assembled part F and G

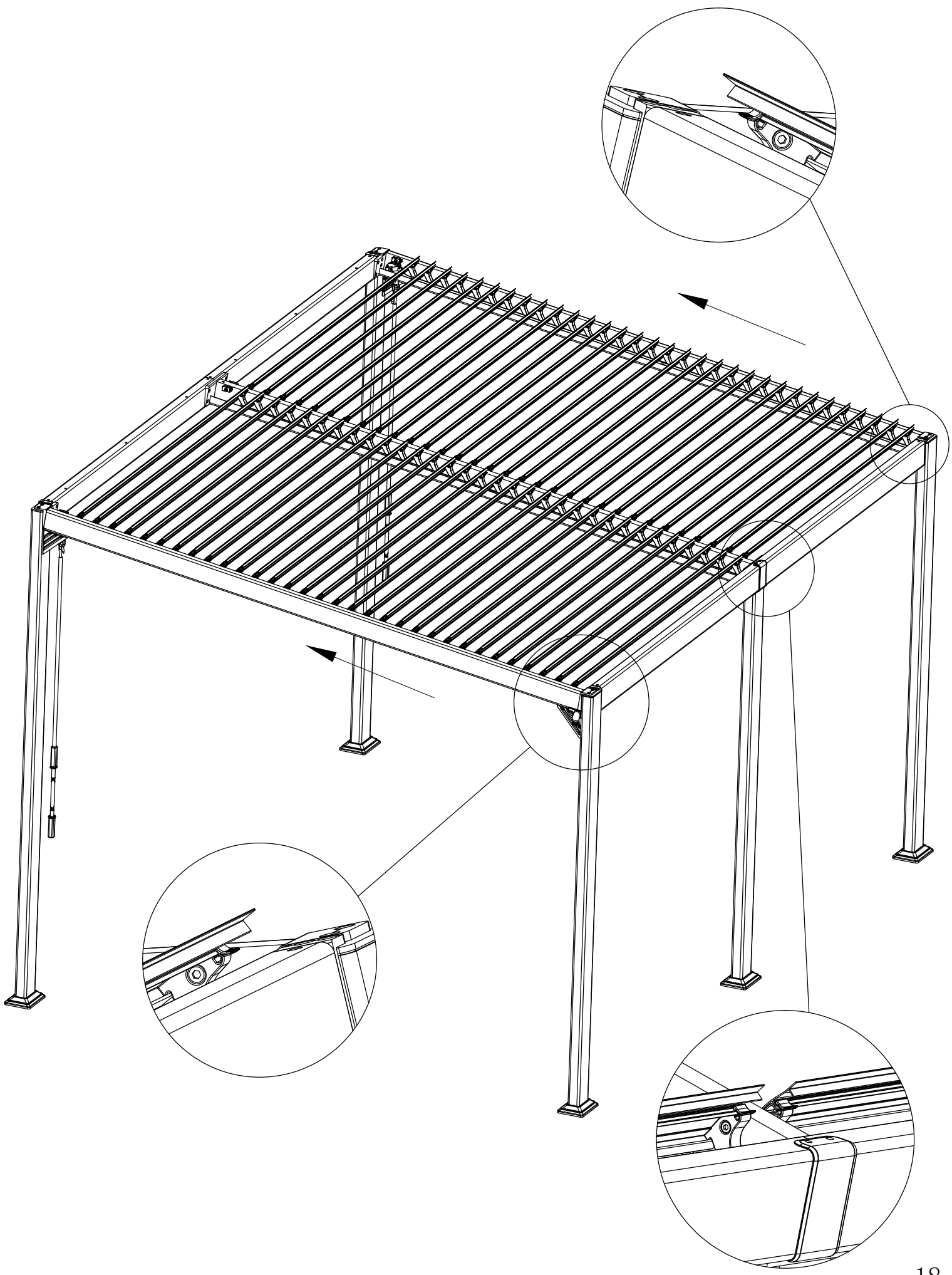


R (X2)

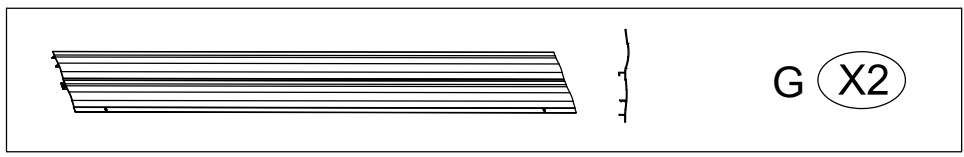
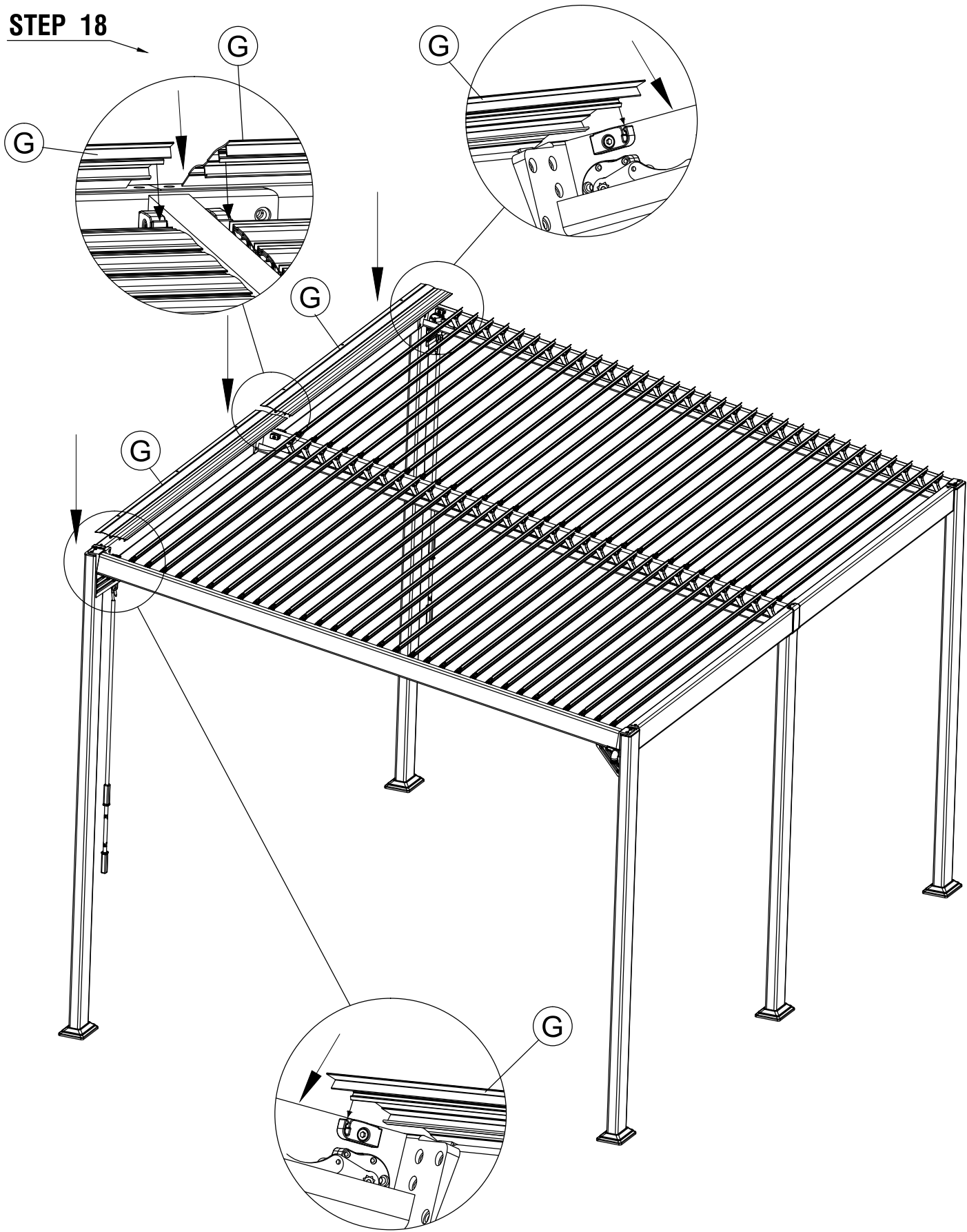
**STEP 16**



**STEP 17**

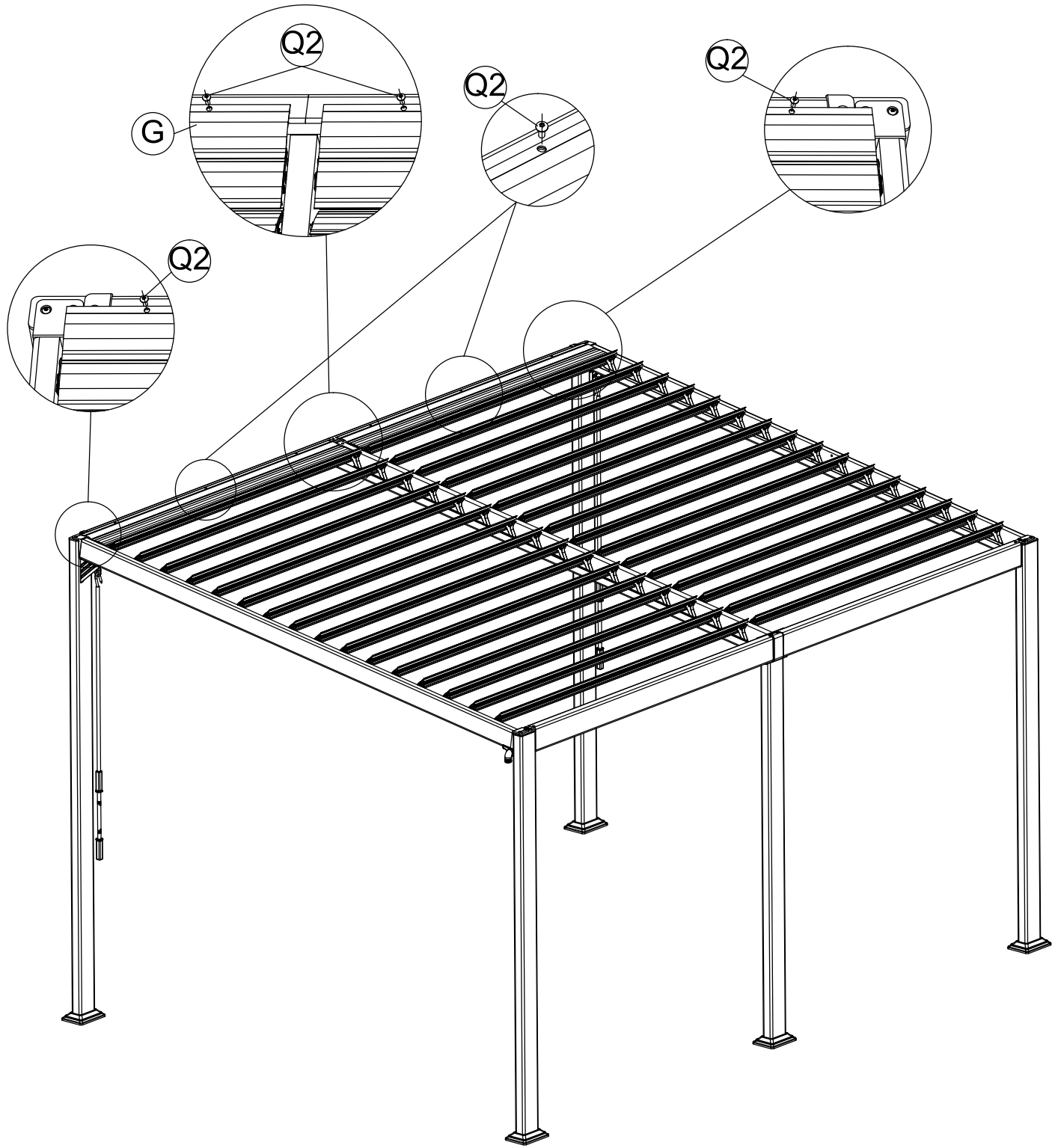


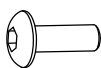
STEP 18





**STEP 19**



	M6*20	Q2 X6
---	-------	-------

**STEP 20**

