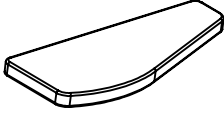
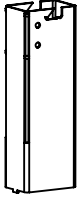
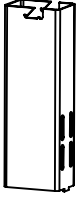

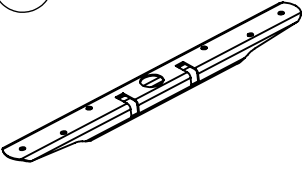
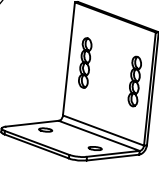
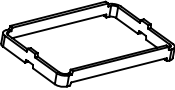
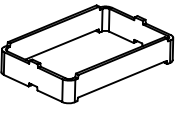
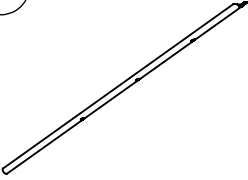
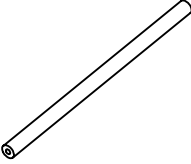
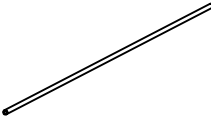
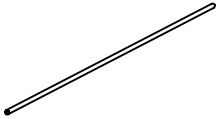
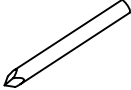

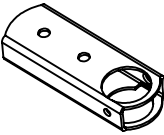



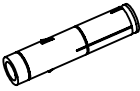
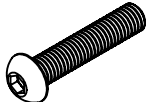
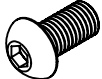



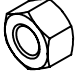

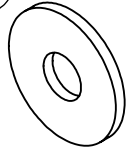


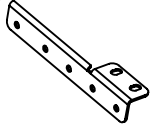
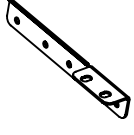
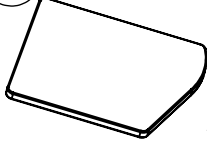
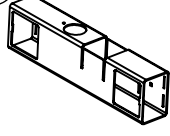
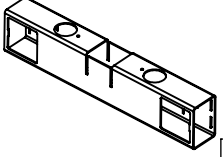
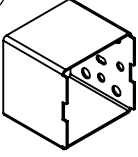

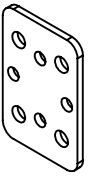
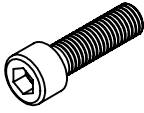

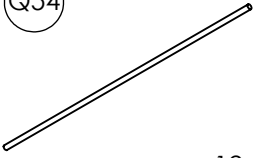
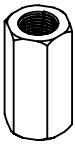
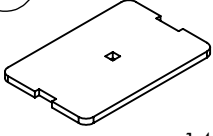
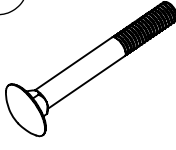
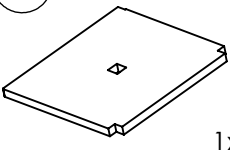

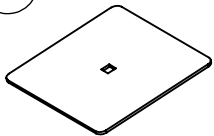



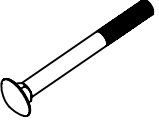
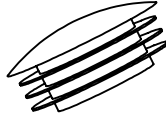
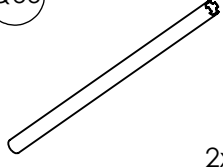
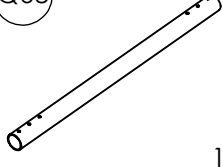
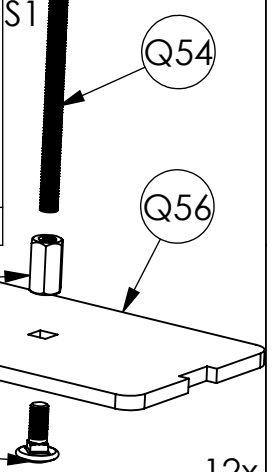

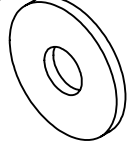

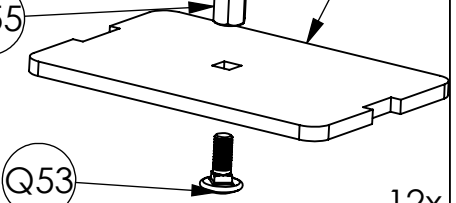
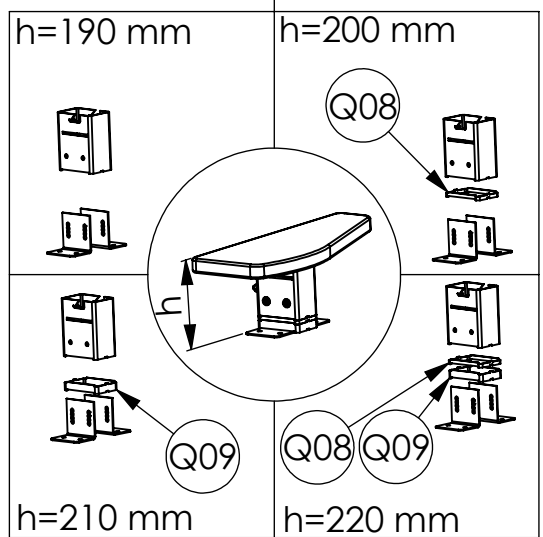
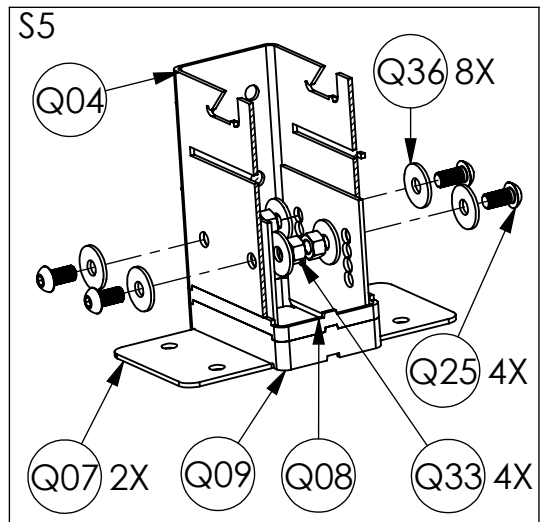
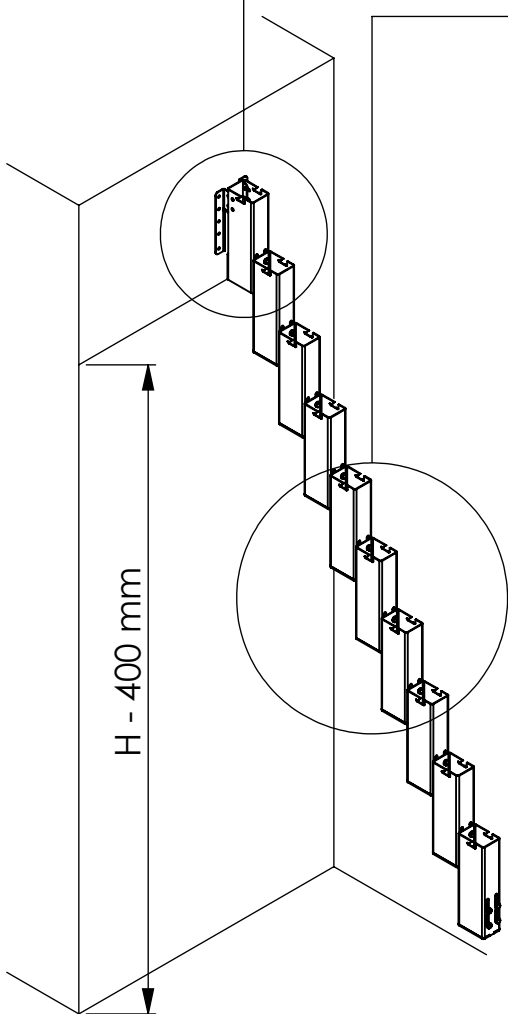
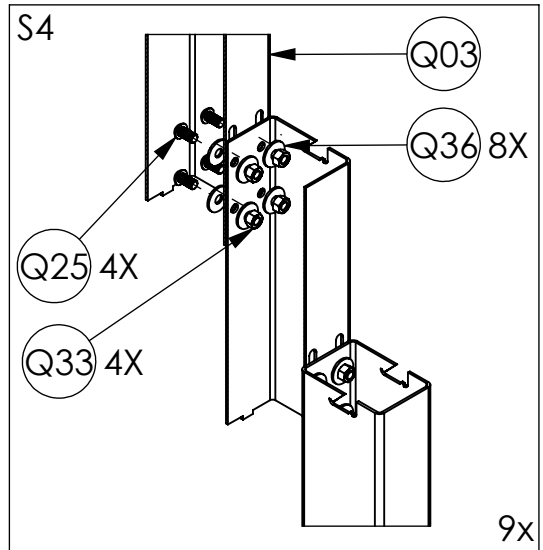
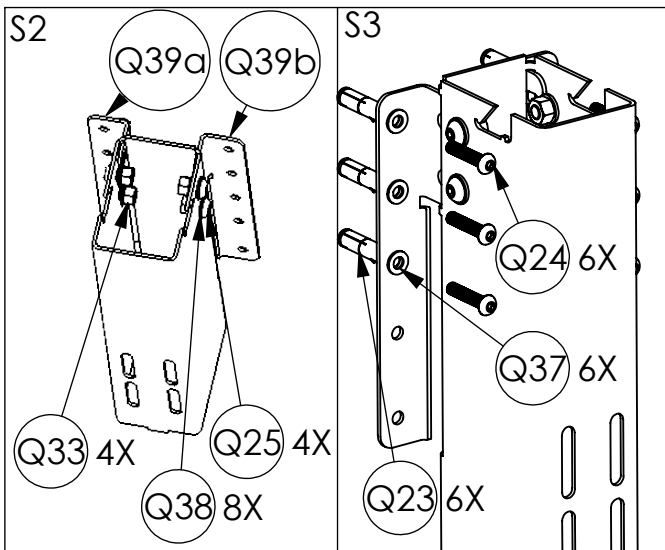


Quatro Turn EB-10024-01

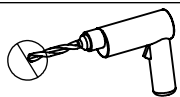
<p>Q01</p>  <p>12x</p>	<p>Q02</p>  <p>1x</p>	<p>Q03</p>  <p>11x</p>	<p>Q04</p>  <p>1x</p>
<p>Q05</p>  <p>13x</p>	<p>Q07</p>  <p>2x</p>	<p>Q08</p>  <p>1x</p>	<p>Q09</p>  <p>1x</p>
<p>Q10</p>  <p>$\varnothing 22 \times 2 \times 1175 \text{ mm}$</p> <p>7x</p>	<p>Q11</p>  <p>$\varnothing 40 \times 750 \text{ mm}$</p> <p>4x</p>	<p>Q12</p>  <p>$\varnothing 6 \times 1 \times 900 \text{ mm}$</p> <p>6x</p>	<p>Q13</p>  <p>$\varnothing 6 \times 1 \times 1200 \text{ mm}$</p> <p>3x</p>
<p>Q14</p>  <p>$\varnothing 4 \times 40 \text{ mm}$</p> <p>6x</p>	<p>Q15</p>  <p>$\varnothing 6 \times 12 \text{ mm}$</p> <p>12x</p>	<p>Q18</p>  <p>13x</p>	<p>Q20</p>  <p>$\varnothing 22 \text{ mm}$</p> <p>7x</p>
<p>Q21</p>  <p>$\varnothing 40 \text{ mm}$</p> <p>4x</p>	<p>Q22</p>  <p>$\varnothing 15 \times 50 \text{ mm}$</p> <p>5x</p>	<p>Q23</p>  <p>$\varnothing 12 \text{ mm}$</p> <p>15x</p>	<p>Q24</p>  <p>M8 x 60 mm</p> <p>15x</p>
<p>Q25</p>  <p>M10 x 20 mm</p> <p>56x</p>	<p>Q28</p>  <p>M5 x 6 mm</p> <p>13x</p>	<p>Q29</p>  <p>$\varnothing 5 \times 30 \text{ mm}$</p> <p>105x</p>	<p>Q32</p>  <p>$\varnothing 3.5 \times 25 \text{ mm}$</p> <p>30x</p>

Quatro Turn EB-10024-01

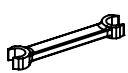
 M10 57x	 M5 DIN 562 13x	 M10 DIN9021 113x	 M8 DIN 125 14x	 M10 DIN 125 17x
 1x	 1x	 1x	 1x	 1x
 4x	 M10 x 8 mm 6x	 6x	 M10 x 35 mm 8x	 M6 x 16mm 12x
 M6 x 350mm 12x	 M6 DIN6334 25x	 14x	 M6 x 50mm 1x	 1x
 M6 DIN9021 13x	 100x100x2 mm 4x	 M6 4x	 M6 2x	 M6 x 35 mm 2x
 M6 x 90 mm 4x	 \varnothing 60 mm 3x	 \varnothing 51 x 985 mm 2x	 \varnothing 60 x 985 mm 1x	
 M14 DIN9021 1x	 M16 DIN9021 1x	 M6 DIN 125 6x		



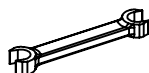
5



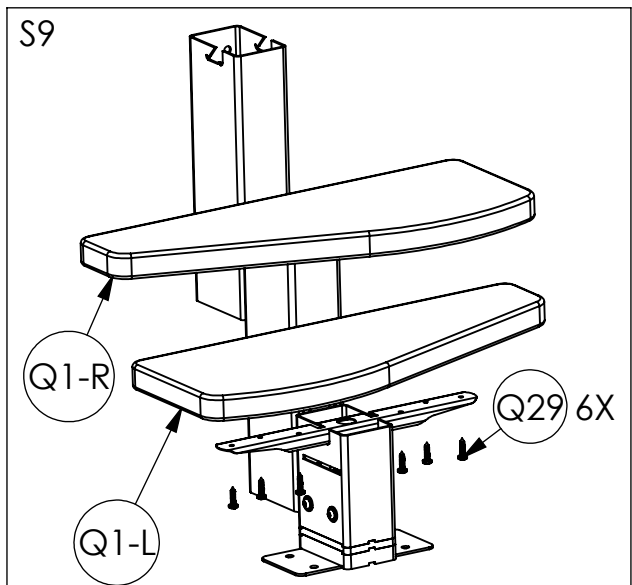
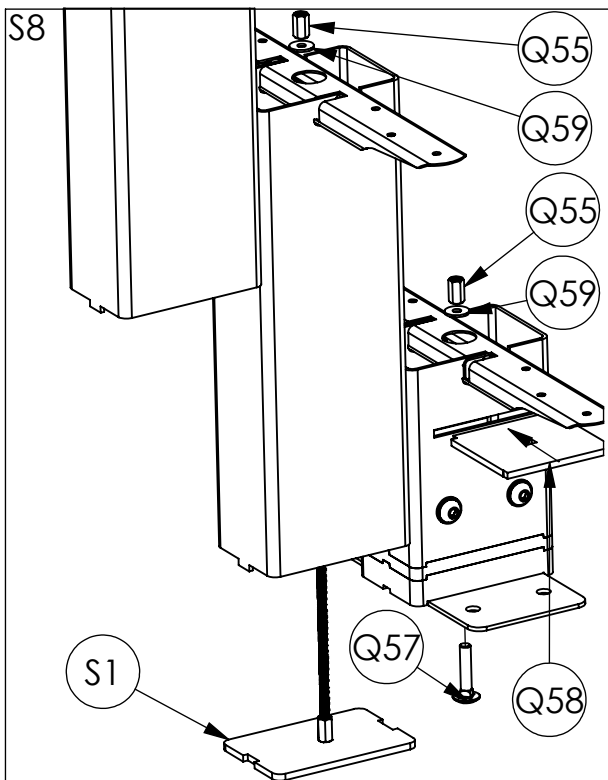
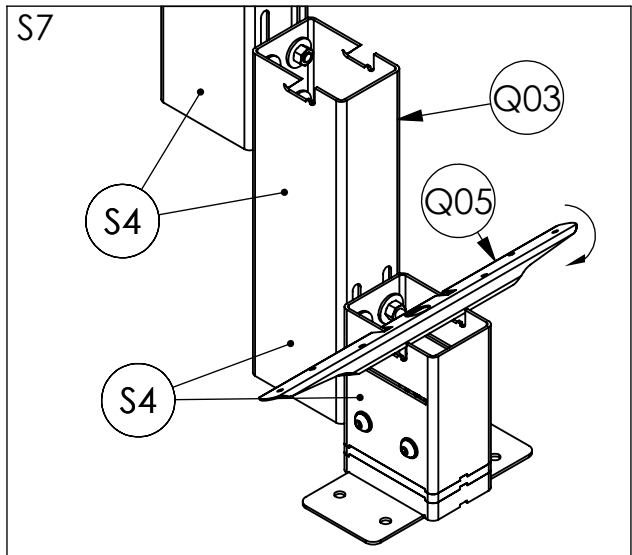
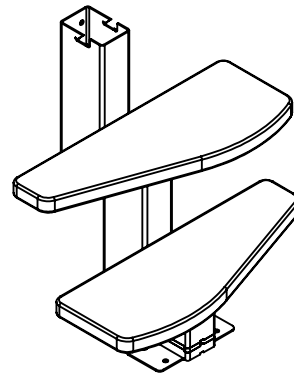
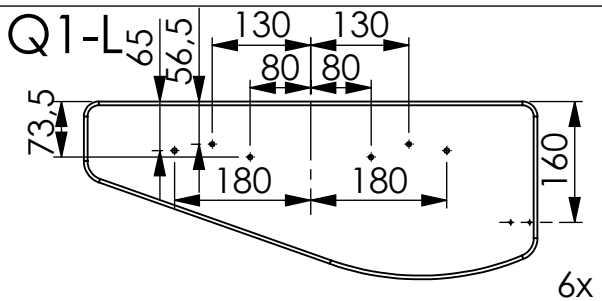
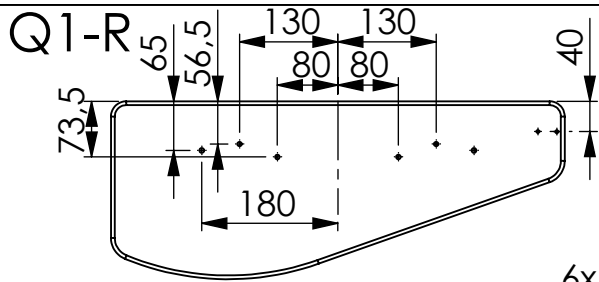
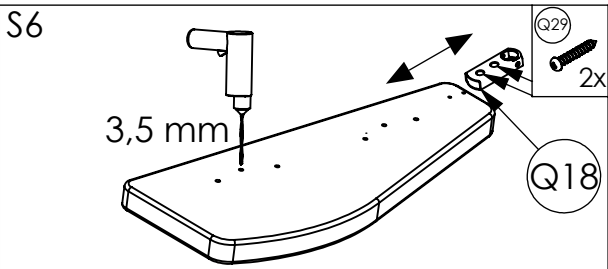
12 mm



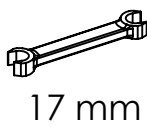
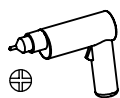
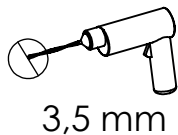
13 mm



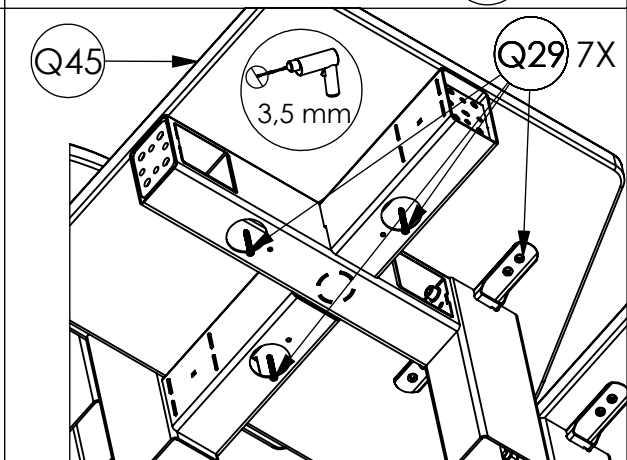
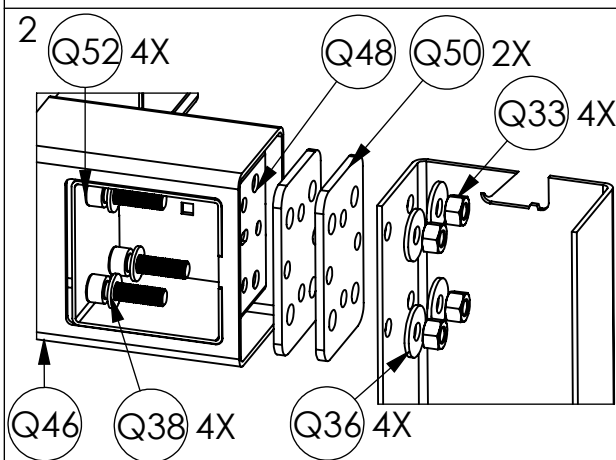
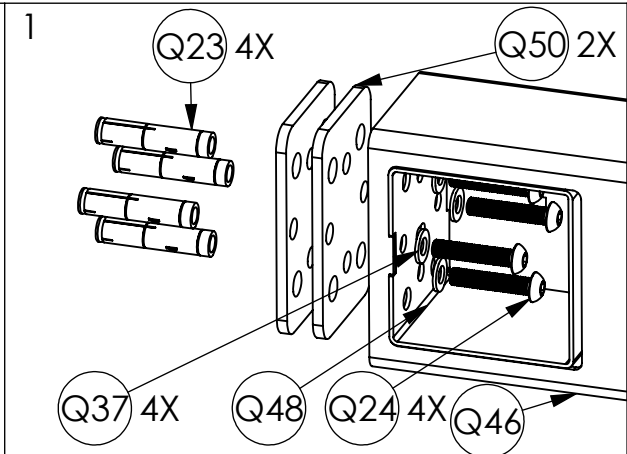
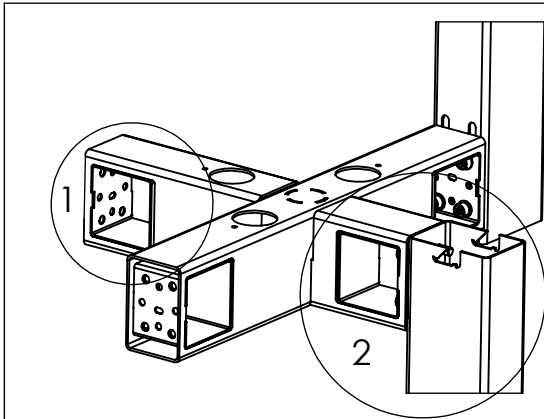
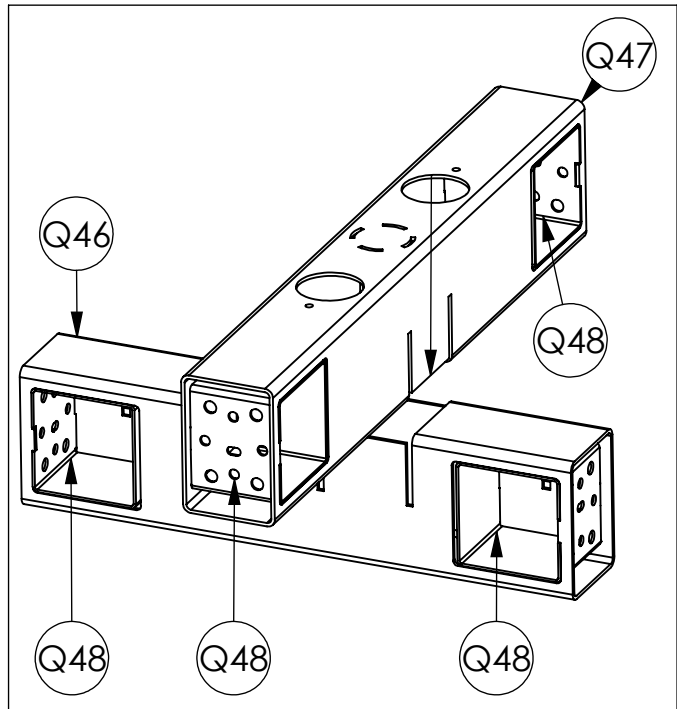
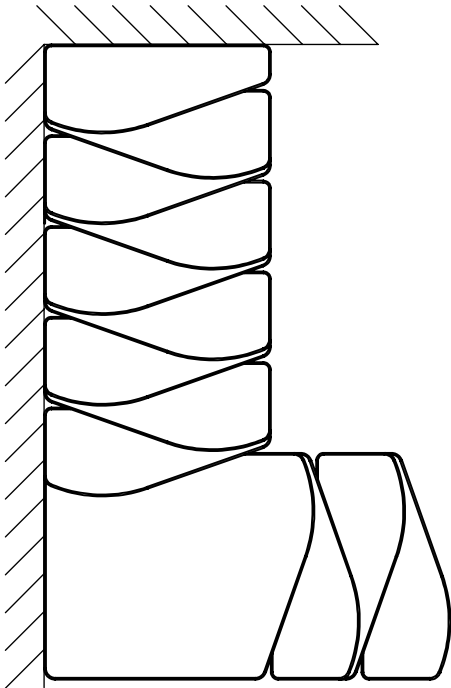
17 mm



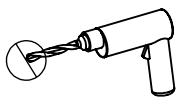
6



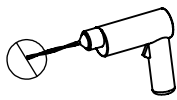
OPTION 1



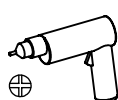
7



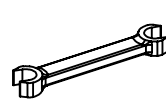
12 mm



3,5 mm

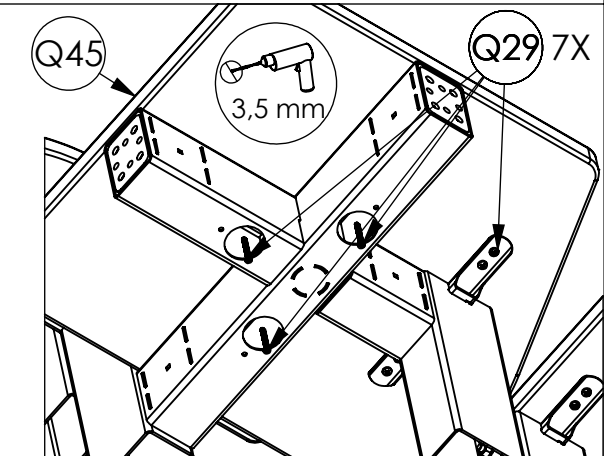
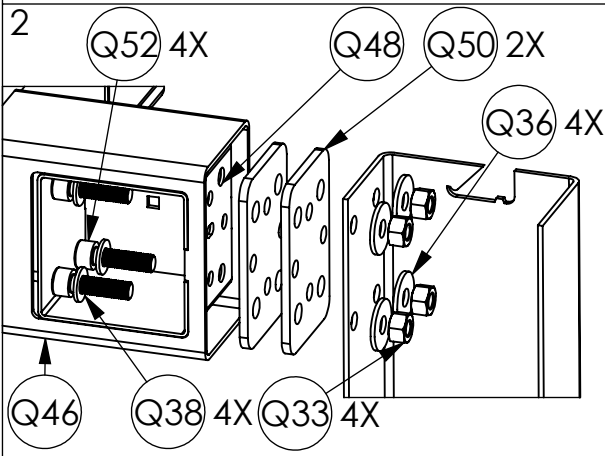
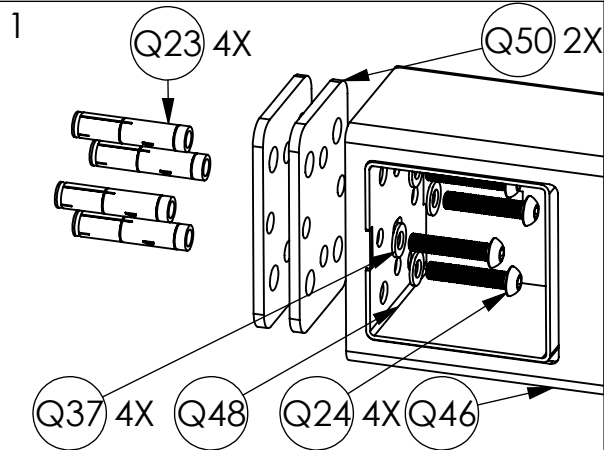
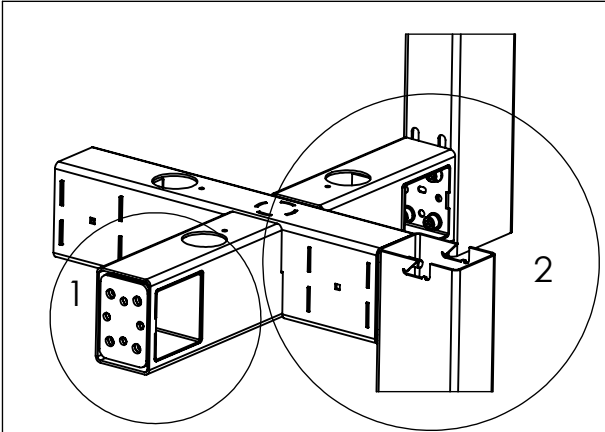
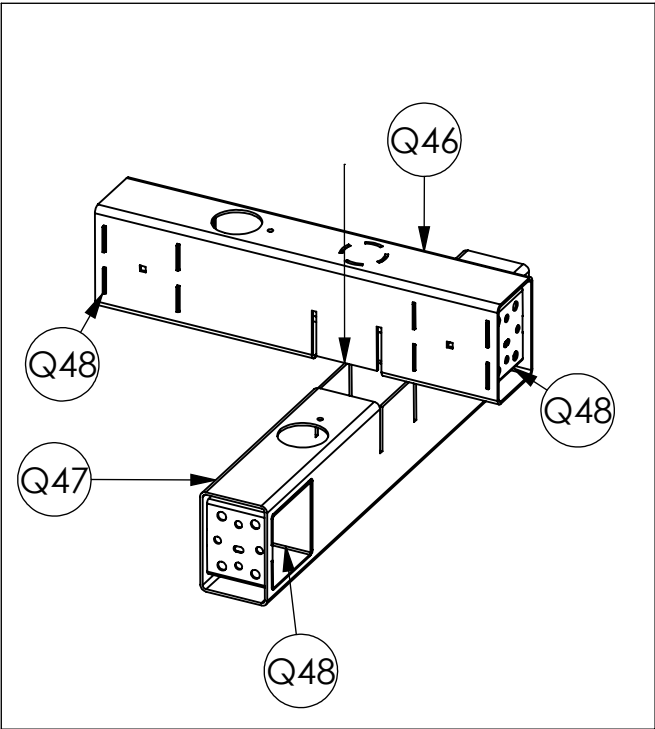
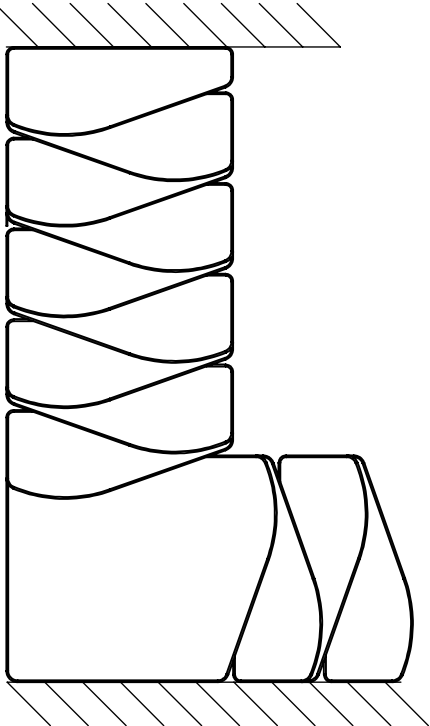


17 mm

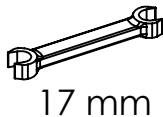
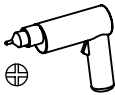
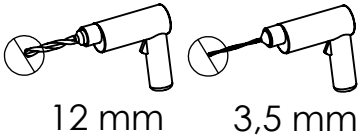


8 mm

OPTION 2



8



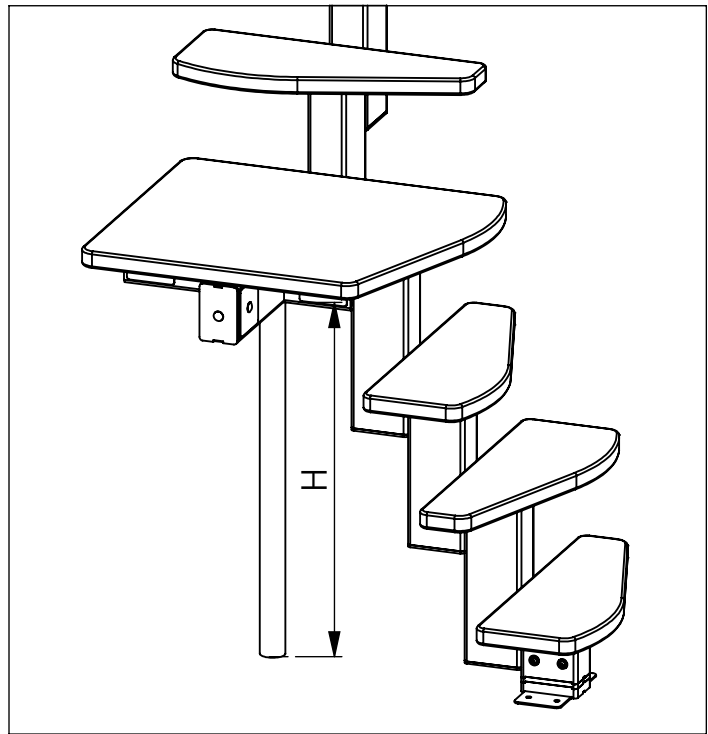
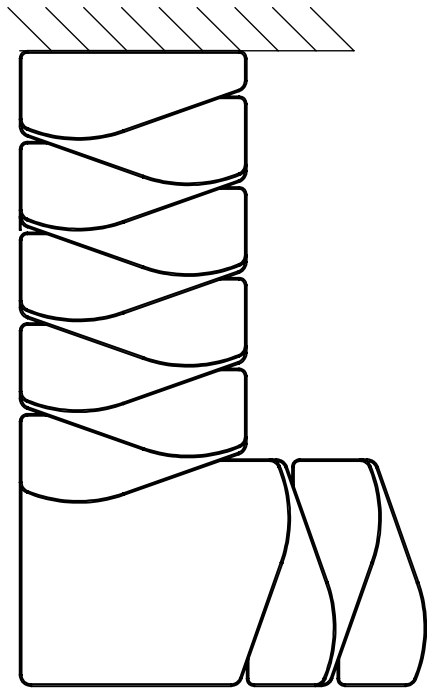
12 mm

3,5 mm

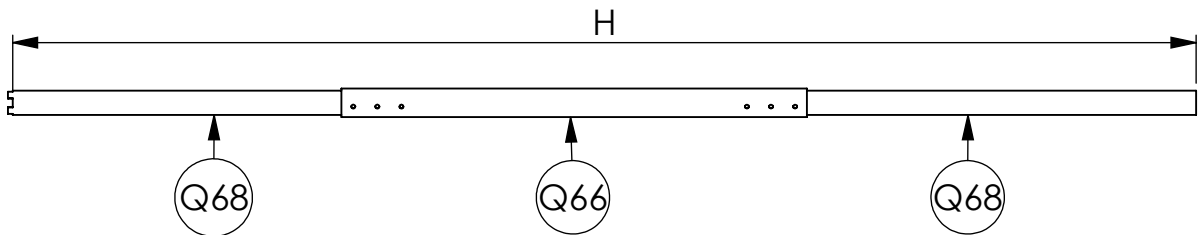
17 mm

8 mm

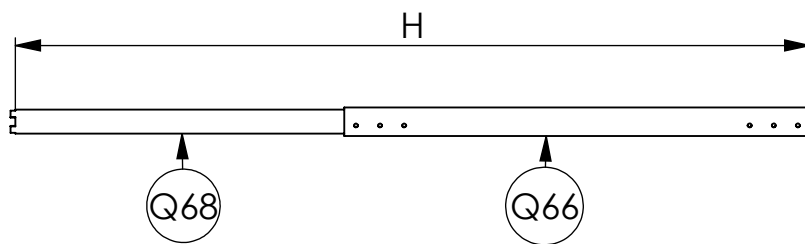
OPTION 3



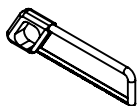
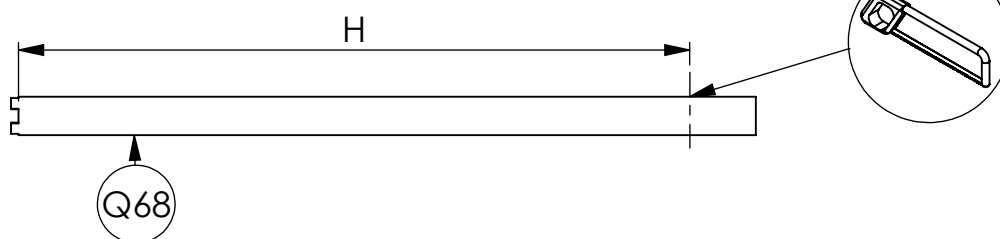
V1 H > 1840 mm

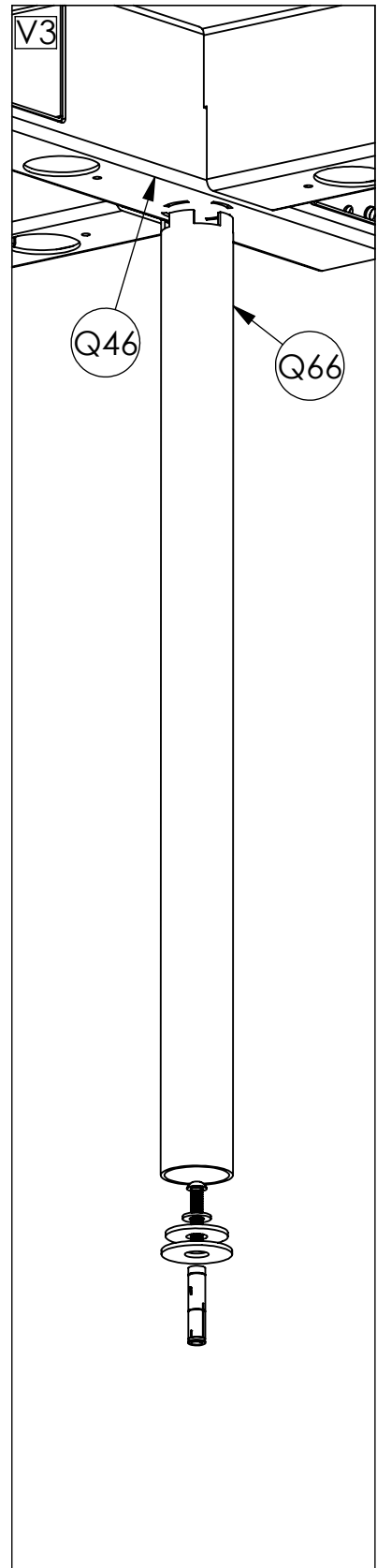
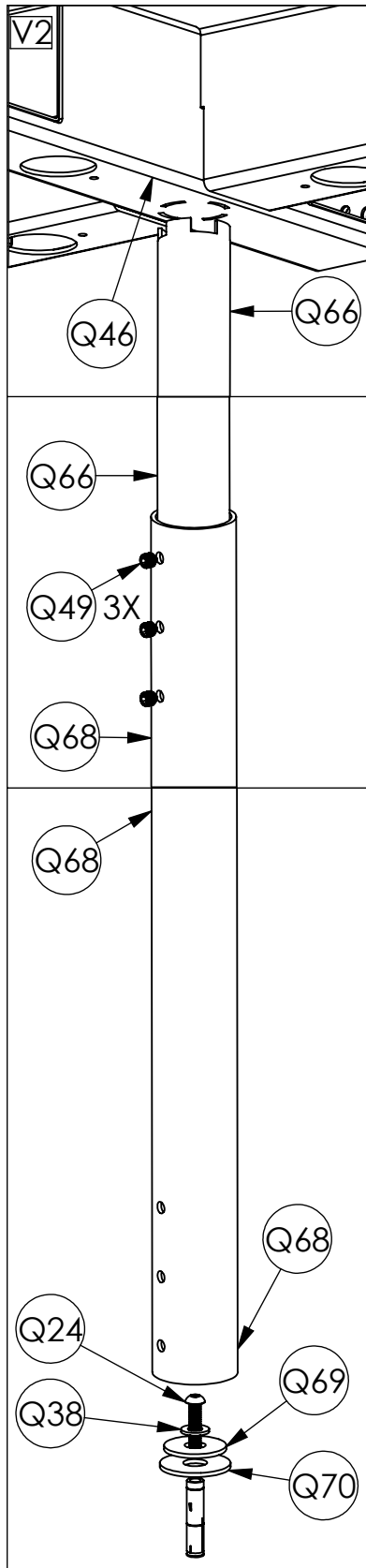
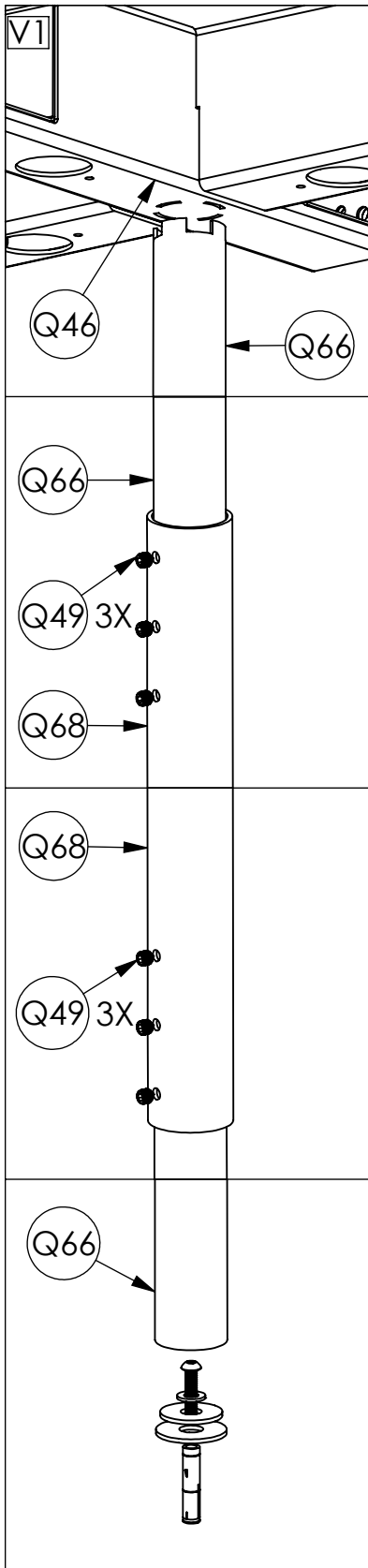


V2 H ≤ 1840 mm

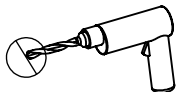


V3 H ≤ 975 mm

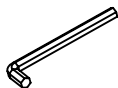




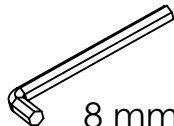
10



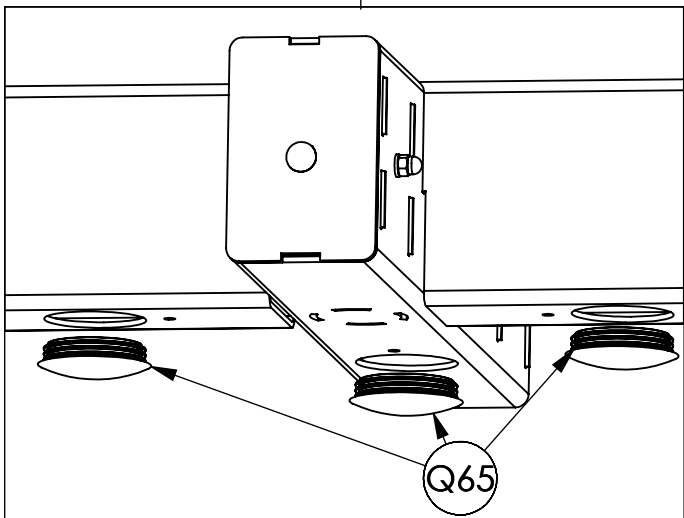
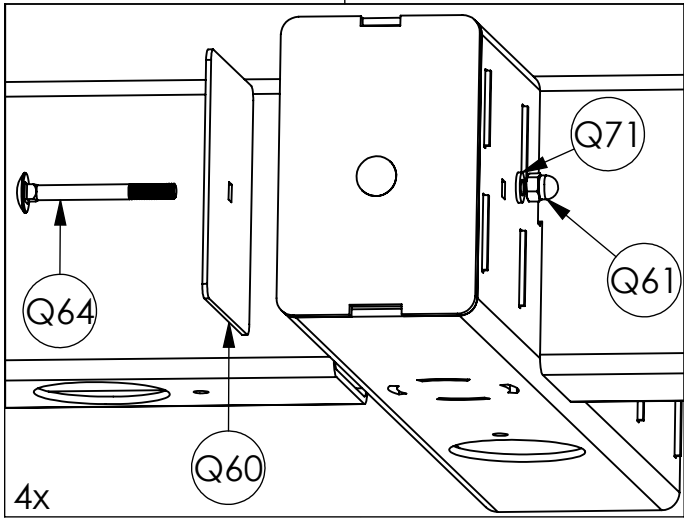
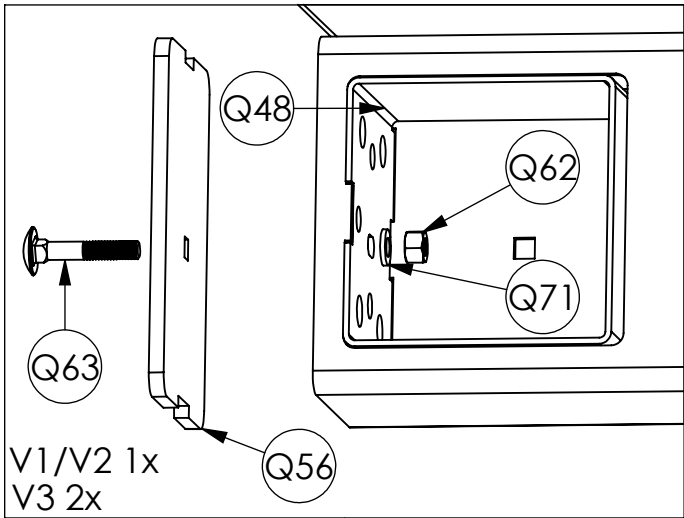
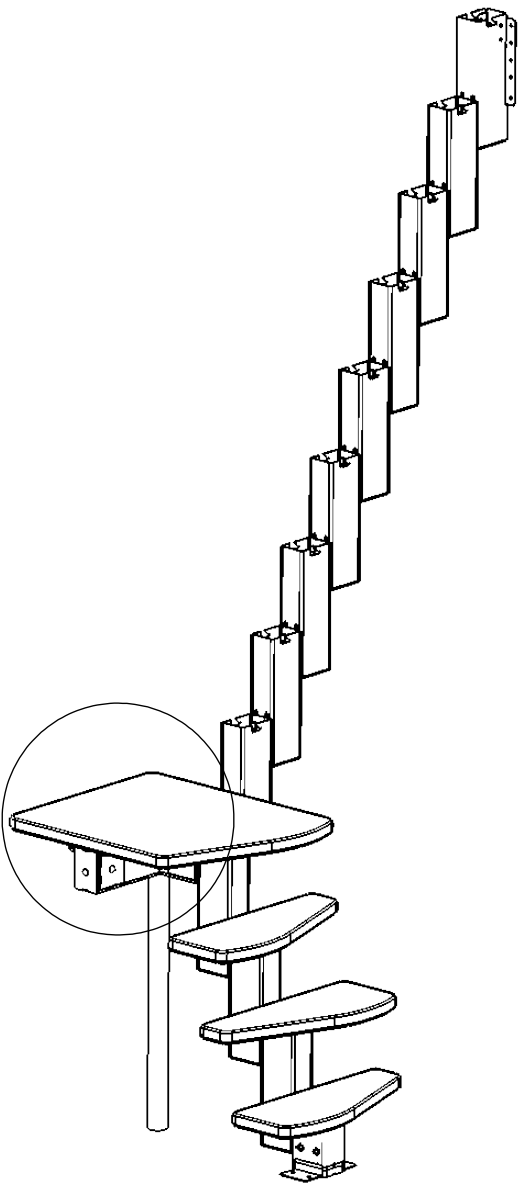
12 mm



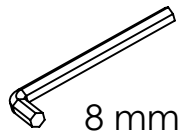
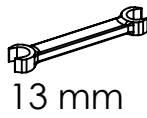
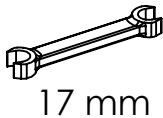
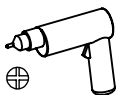
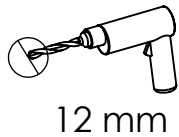
6 mm

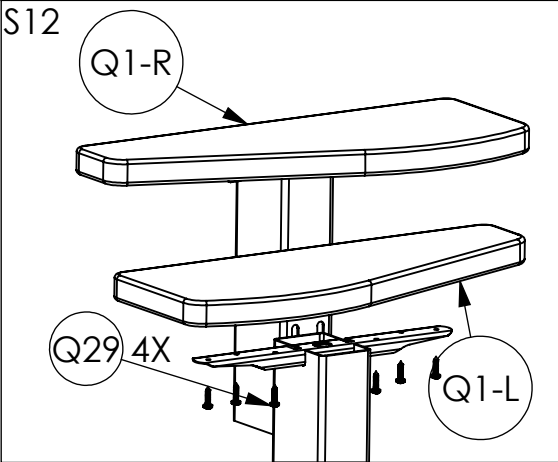
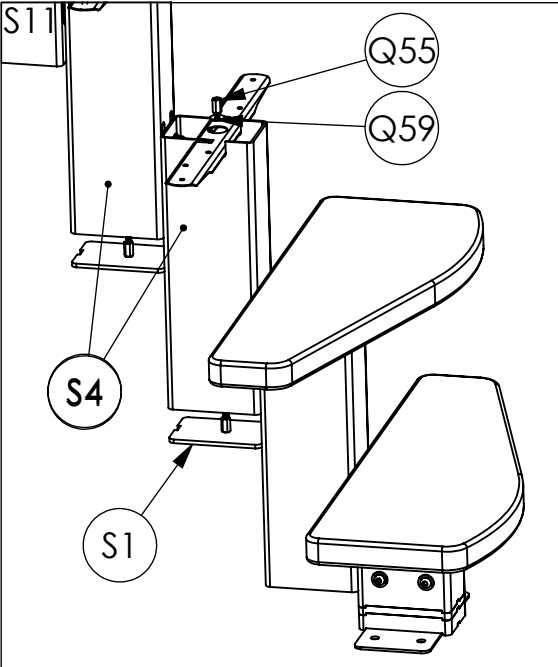
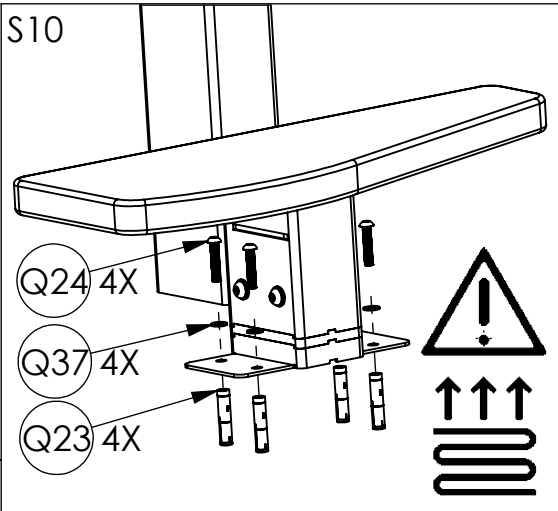
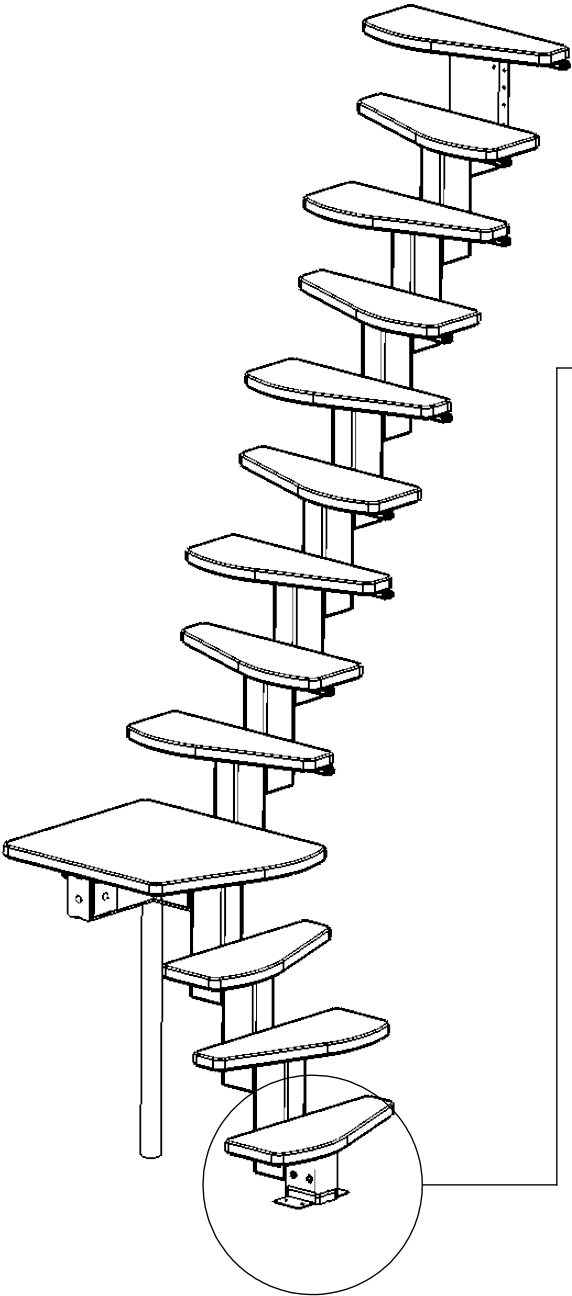


8 mm

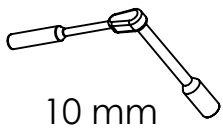
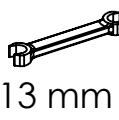
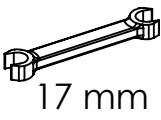
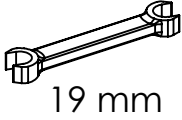
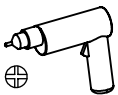
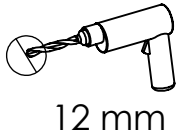


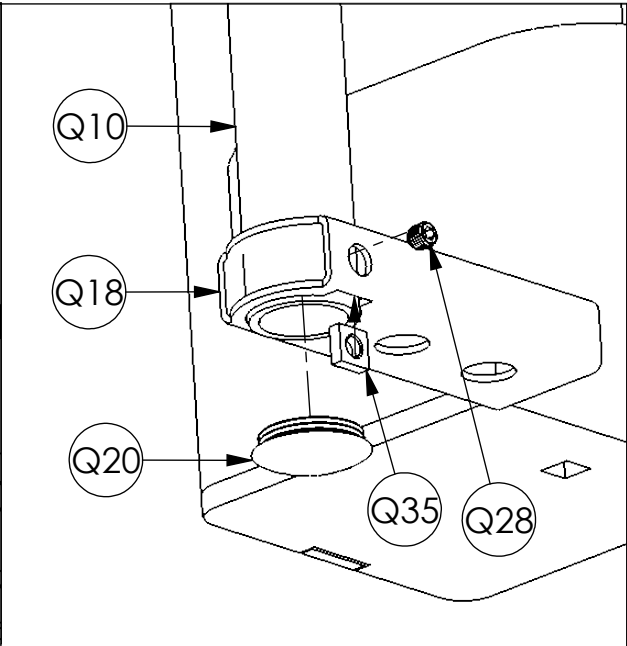
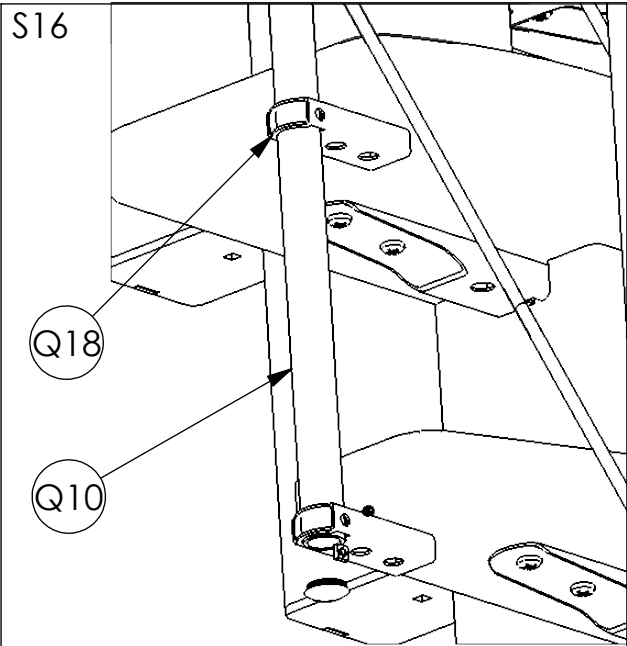
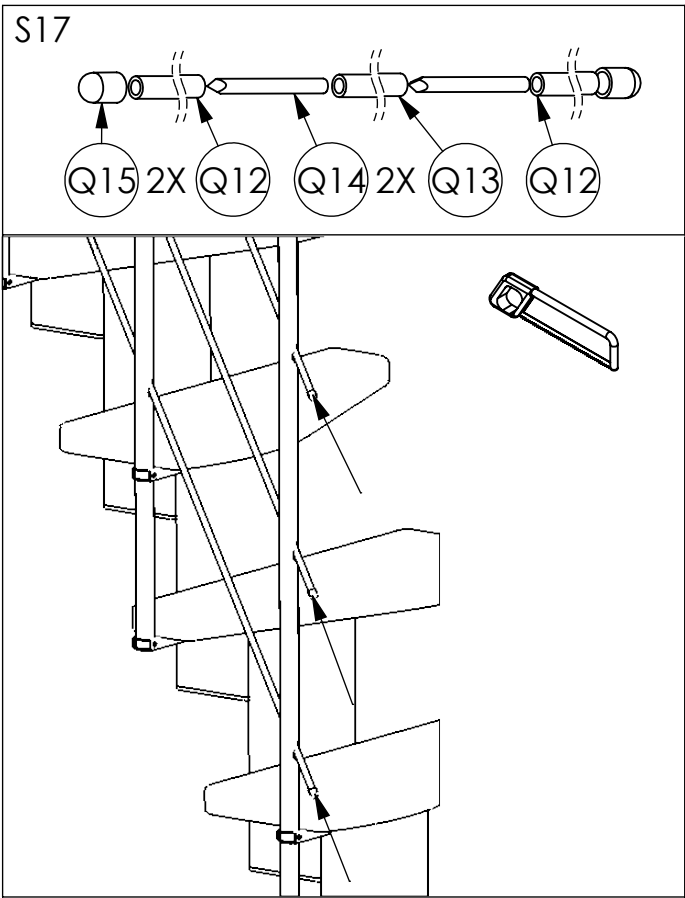
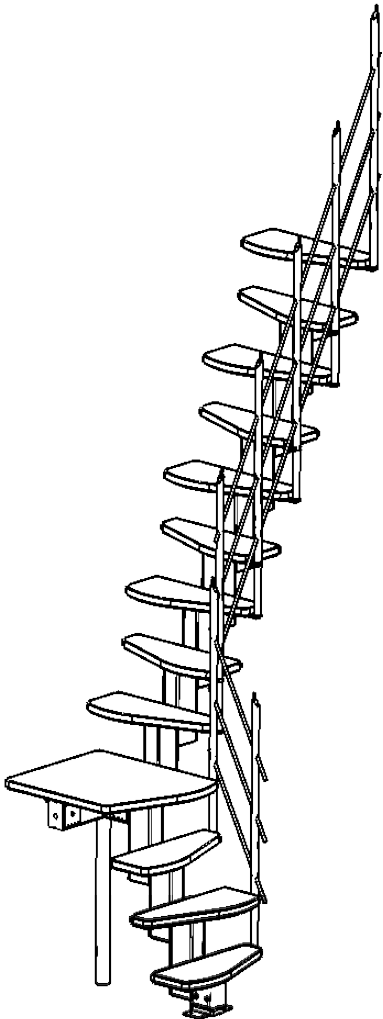
11



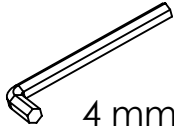


12





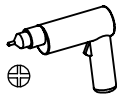
13



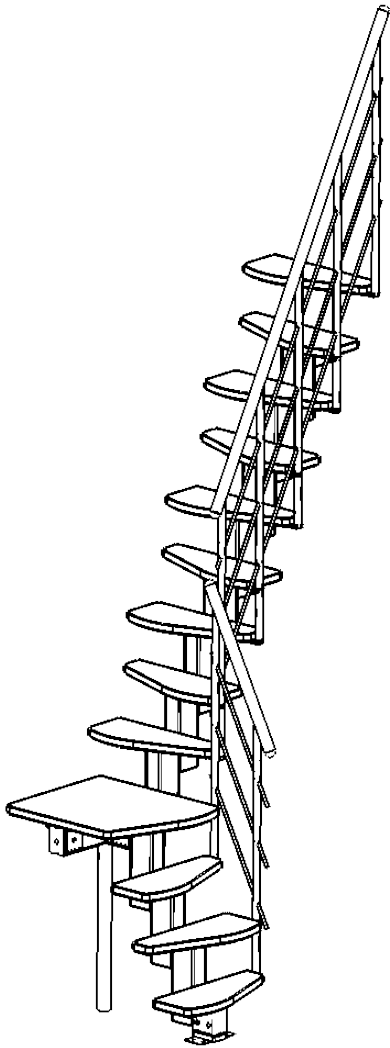
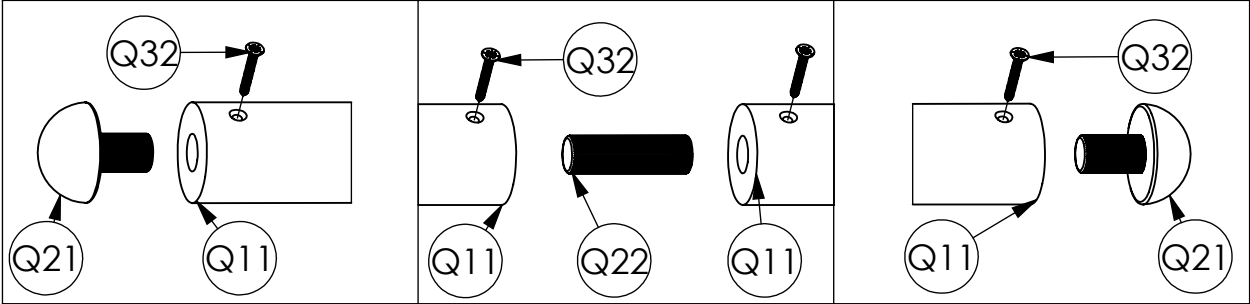
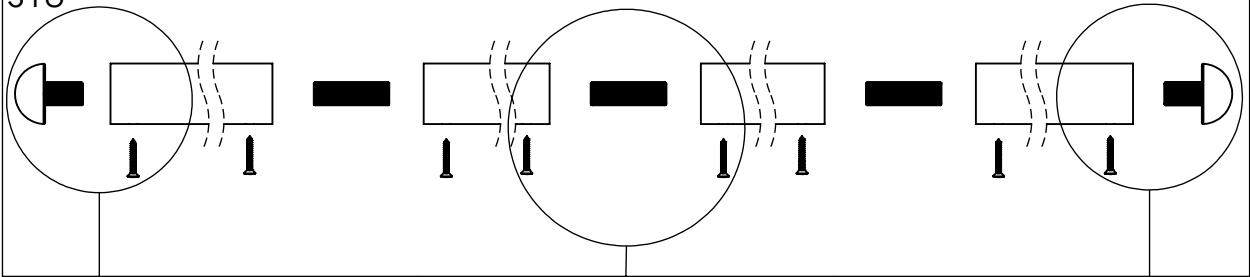
4 mm



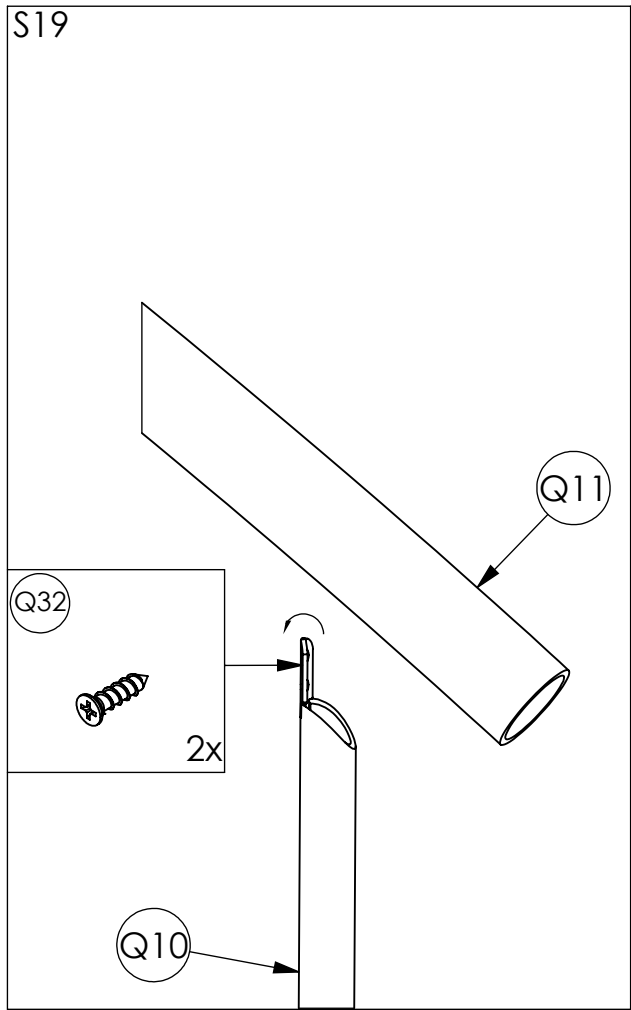
3 mm



S18



S19



14

