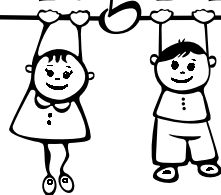


Noortje

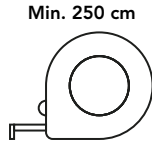
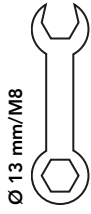
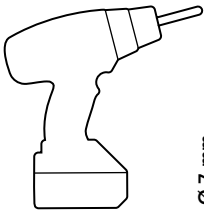
ART. NR. 7880108



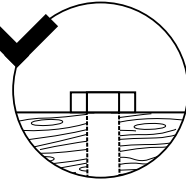
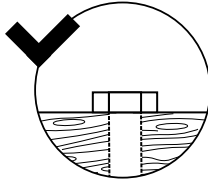
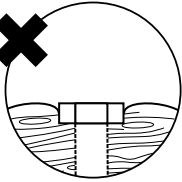
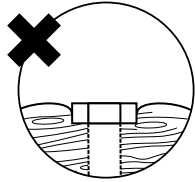
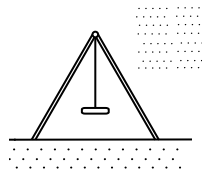
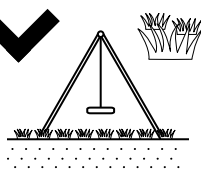
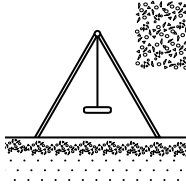
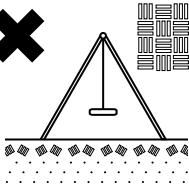
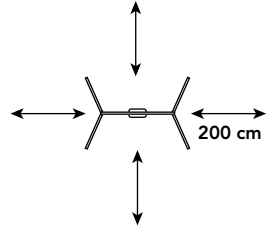
Swing King



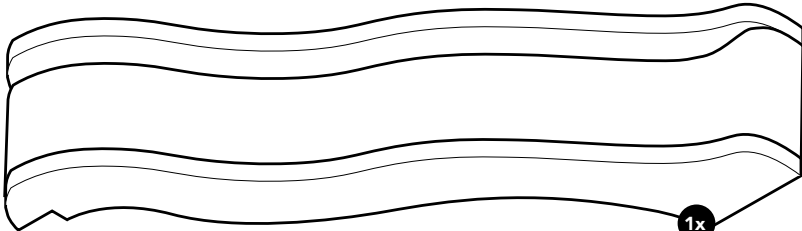
Noortje

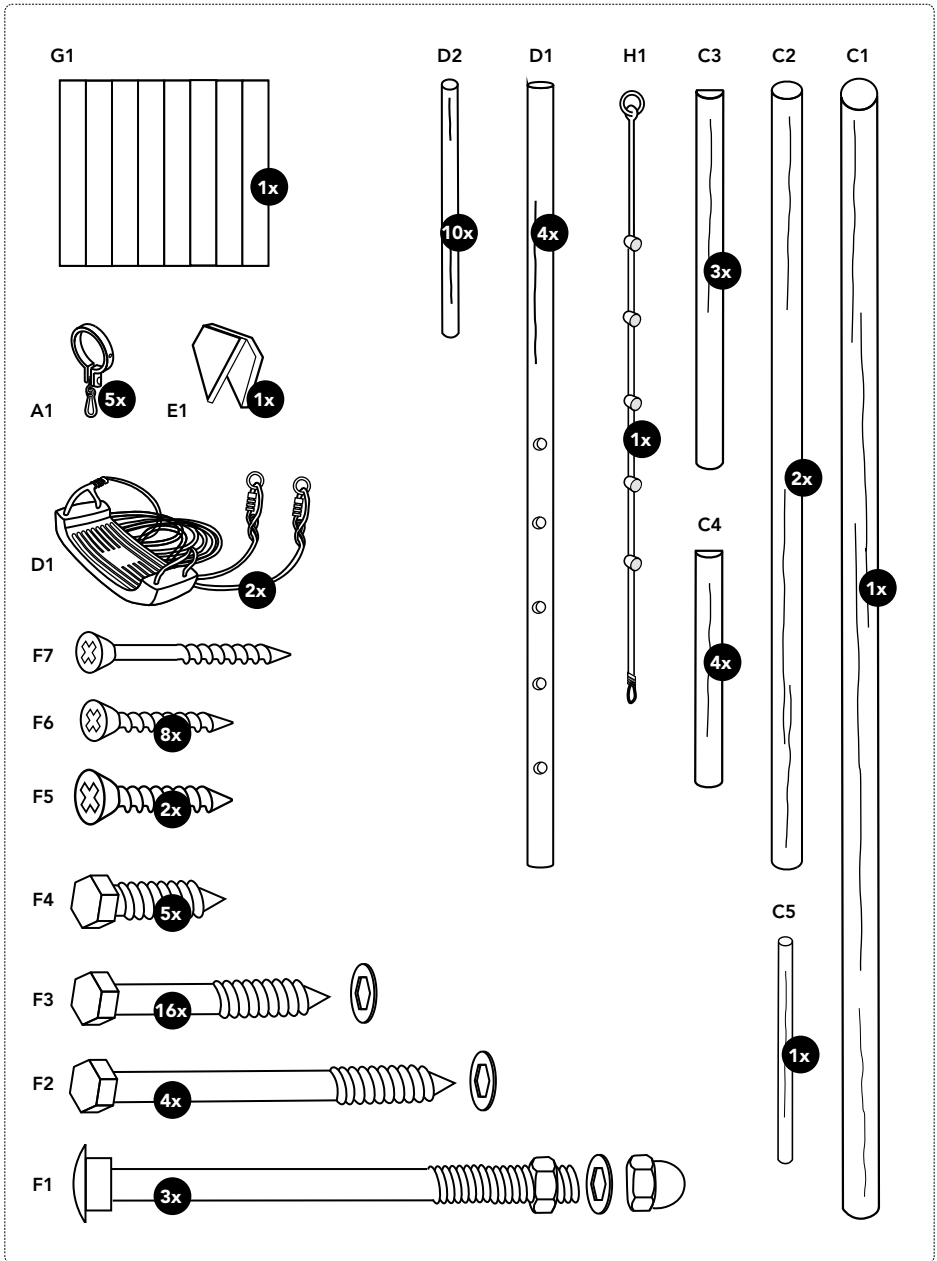


40 m²

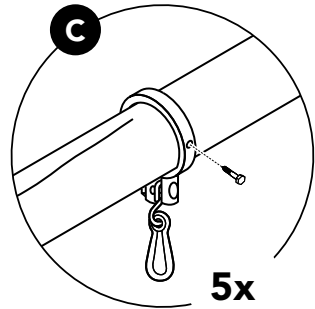
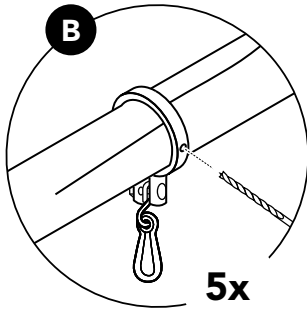
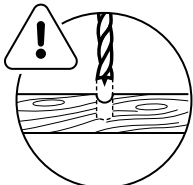
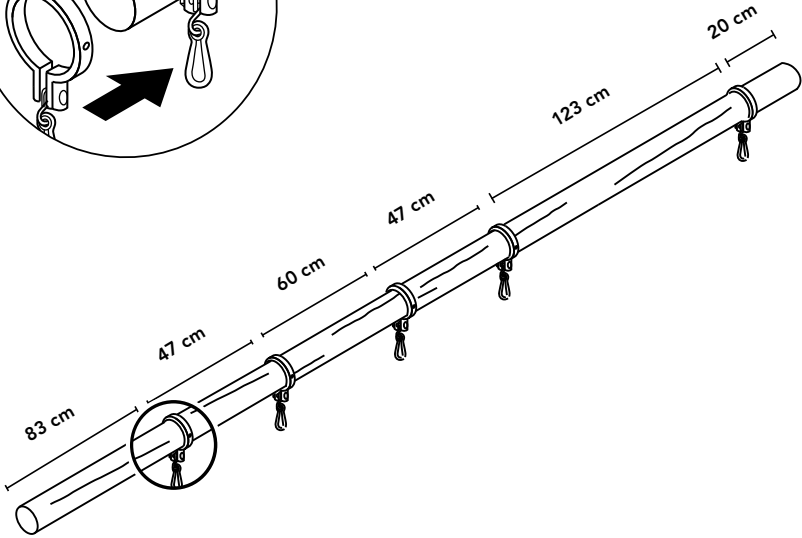
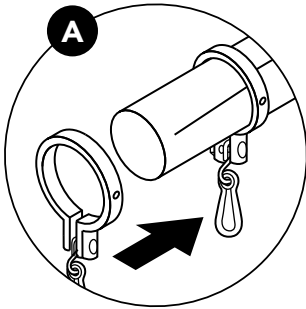
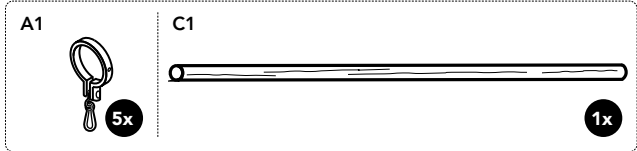


11

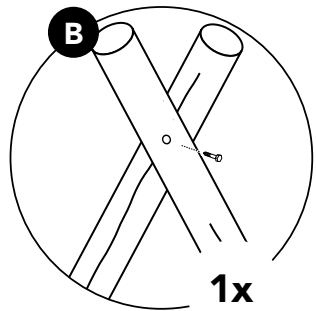
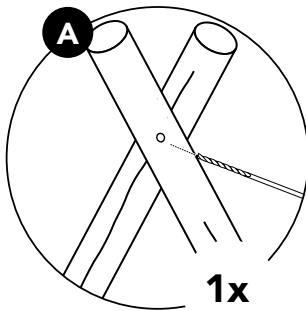
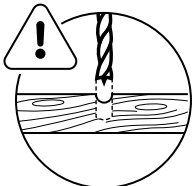
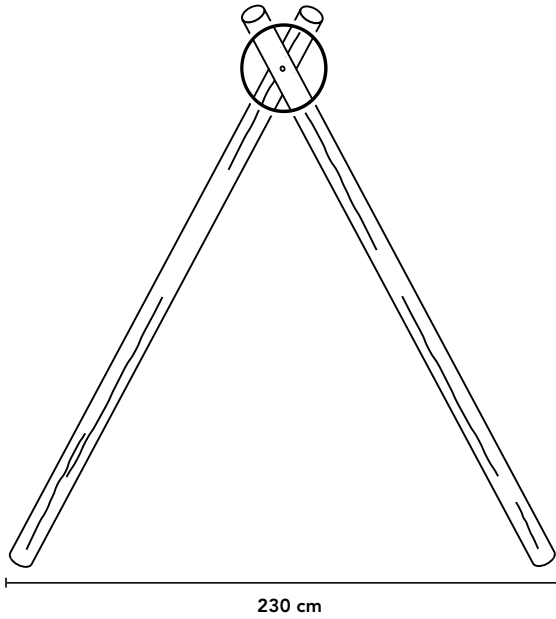
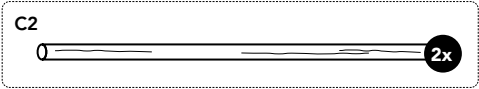
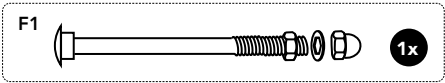




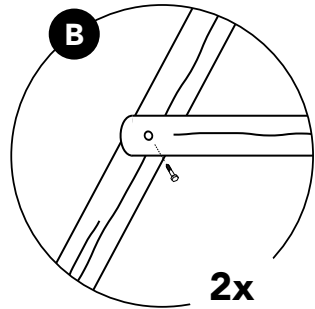
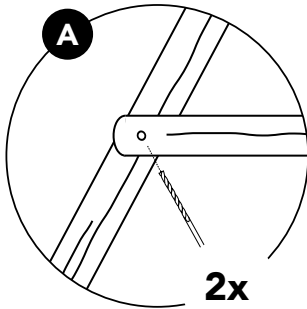
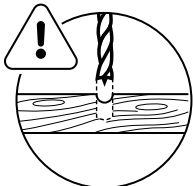
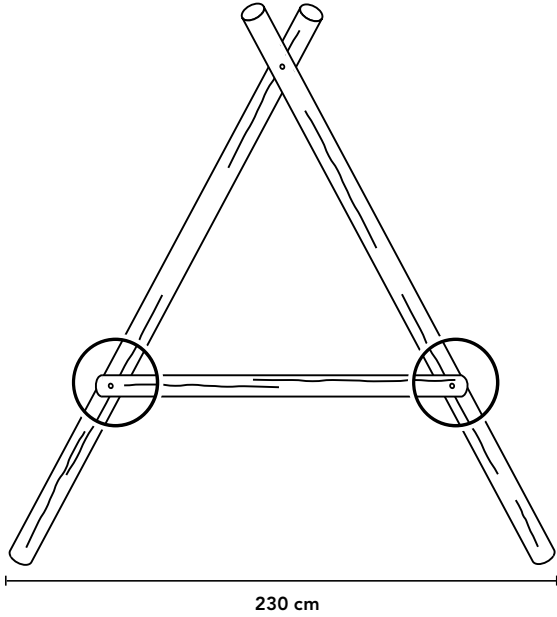
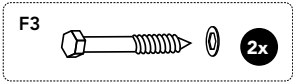
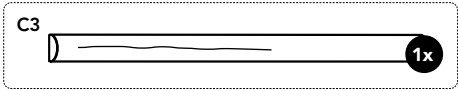
1



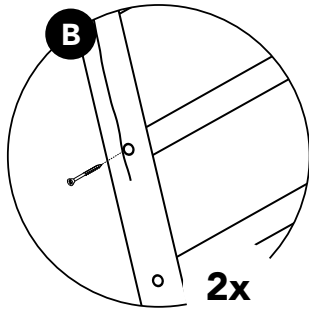
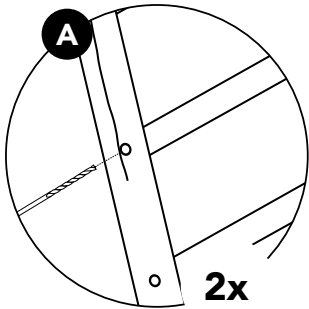
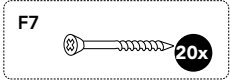
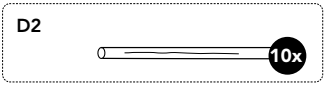
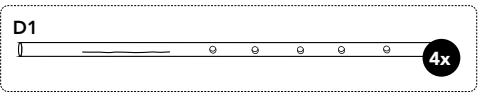
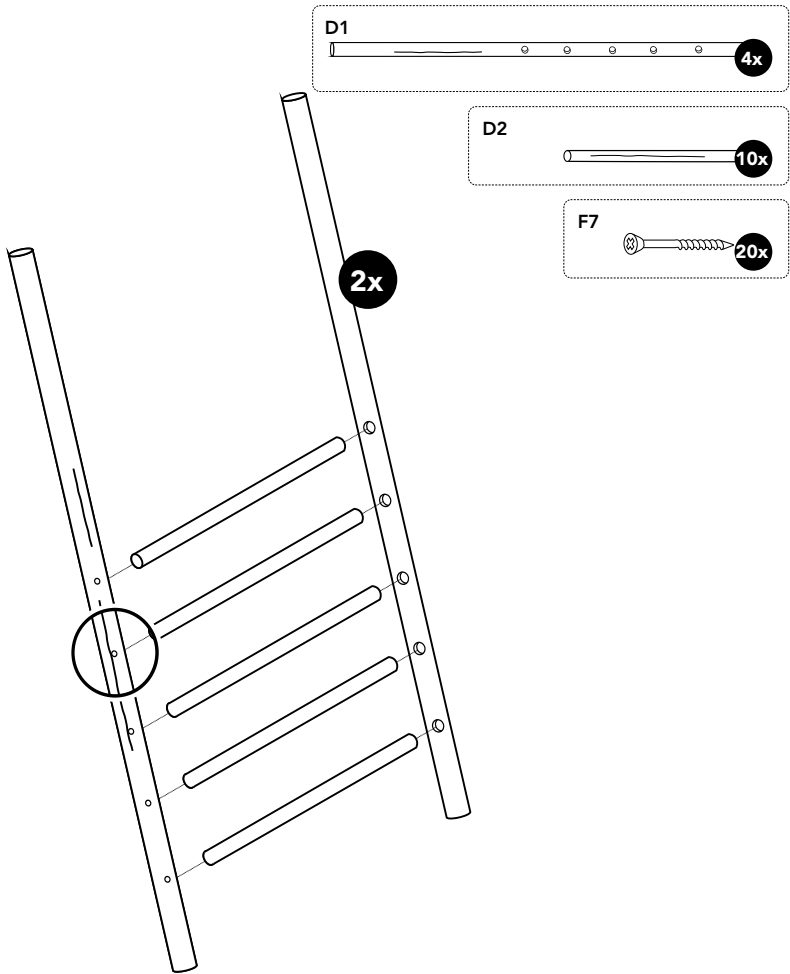
2



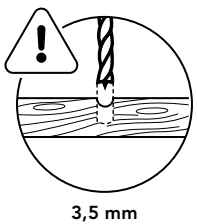
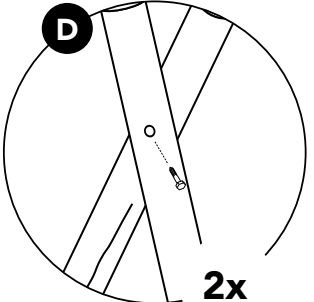
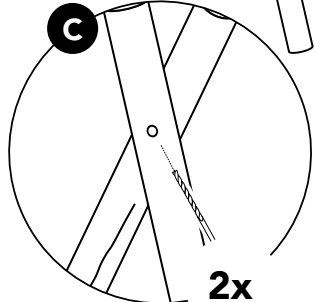
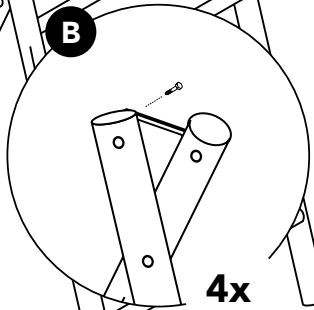
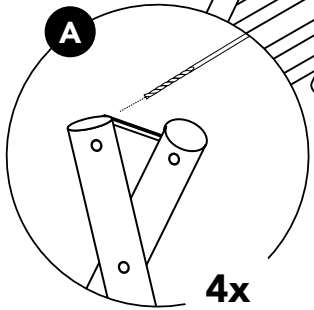
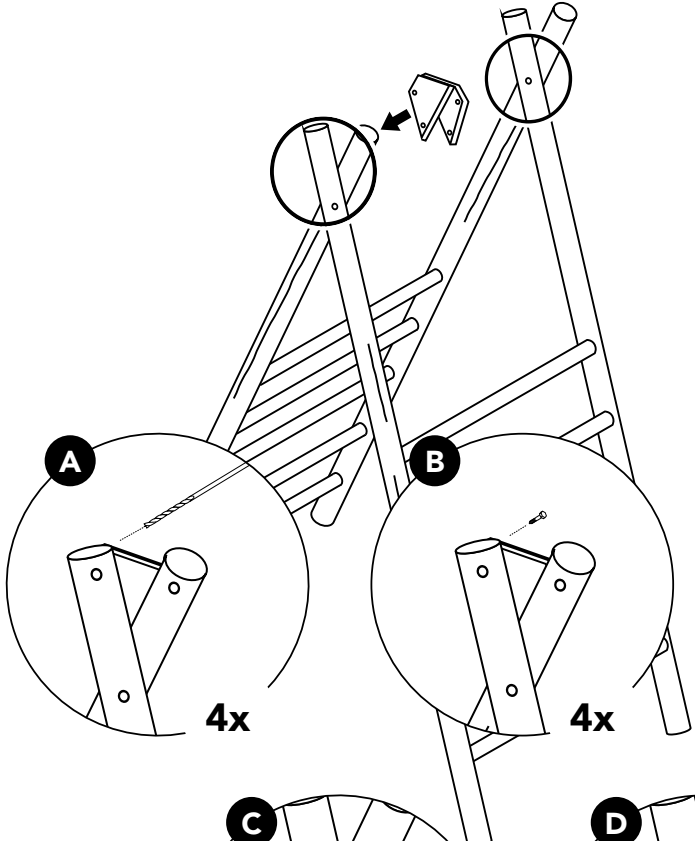
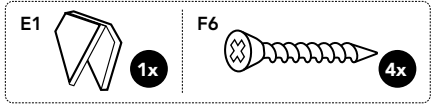
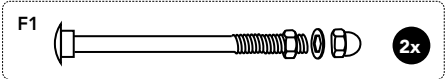
3



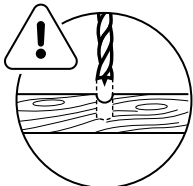
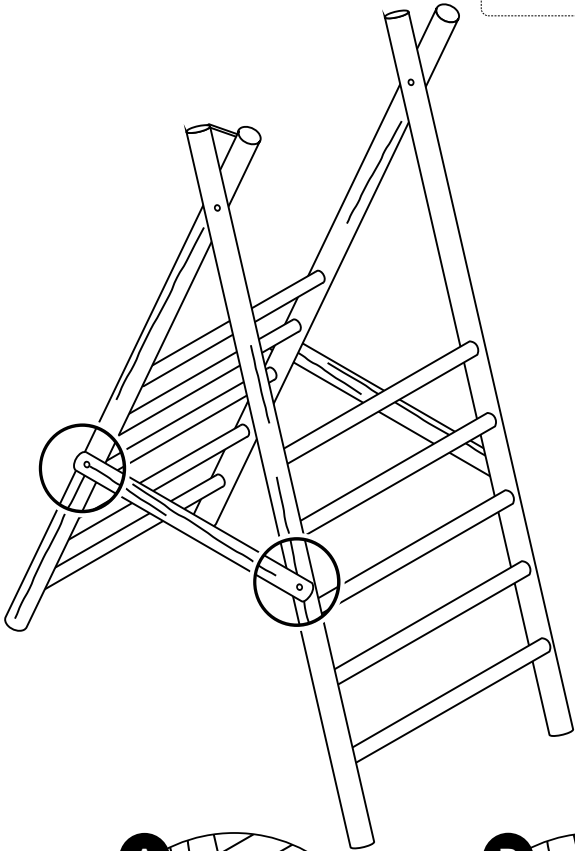
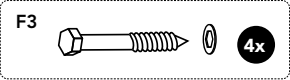
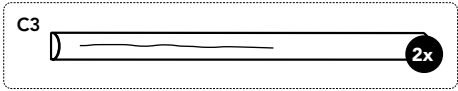
4



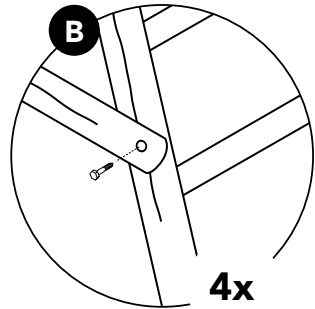
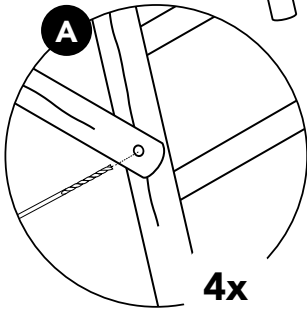
5



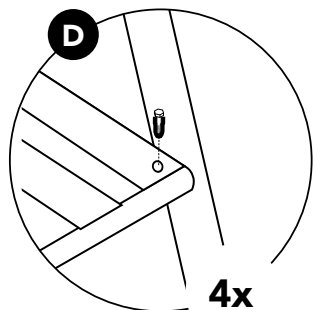
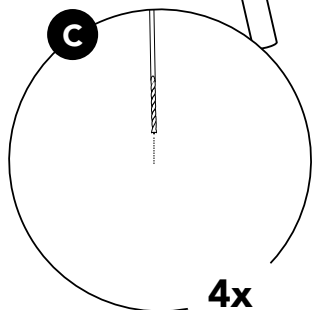
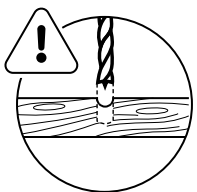
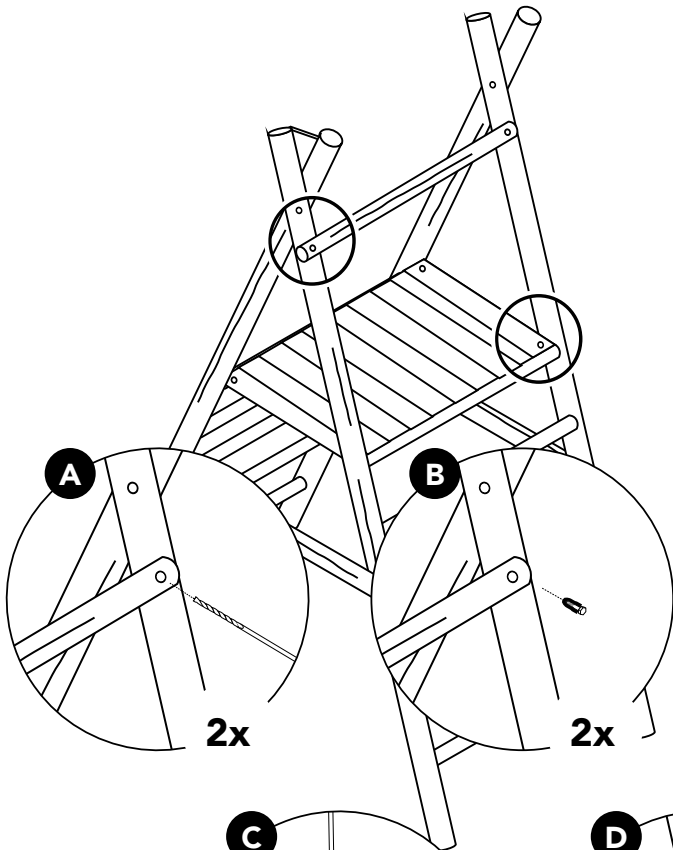
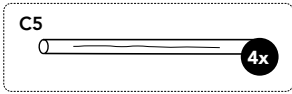
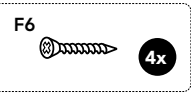
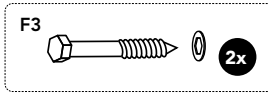
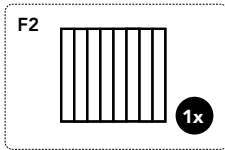
6



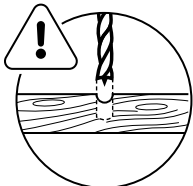
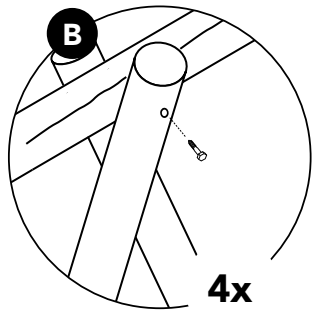
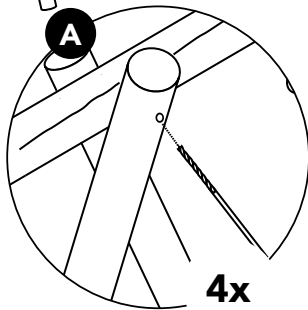
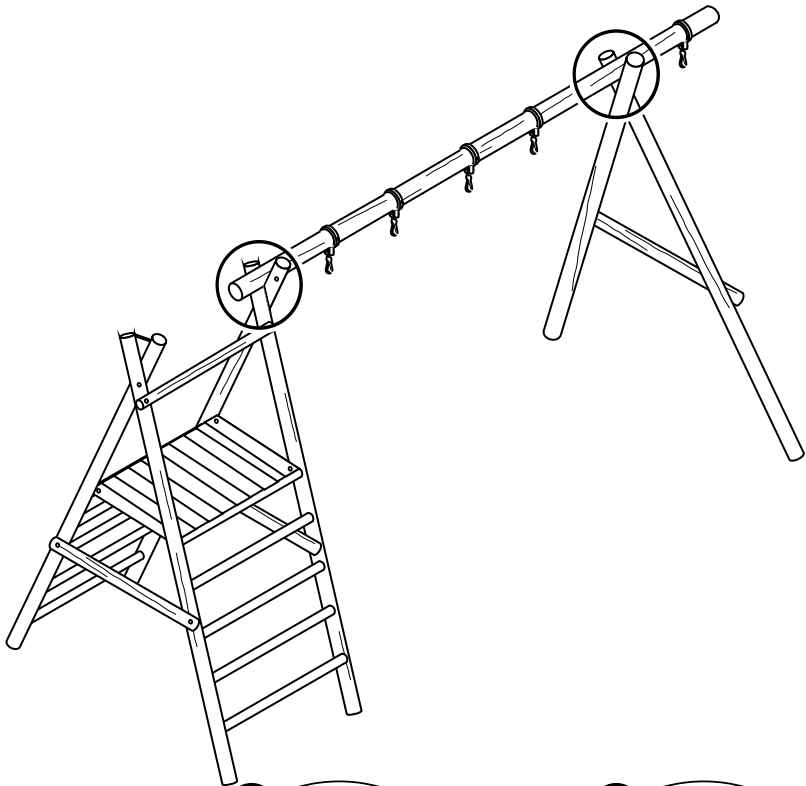
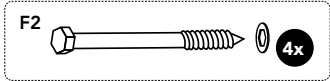
3,5 mm



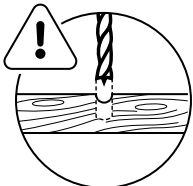
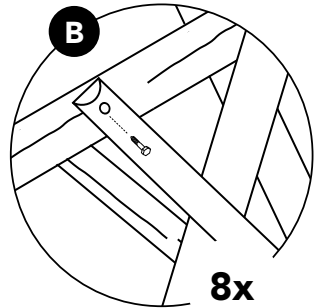
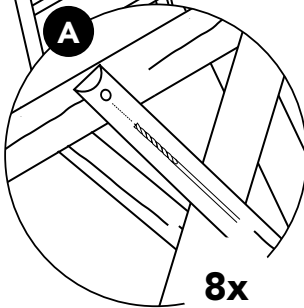
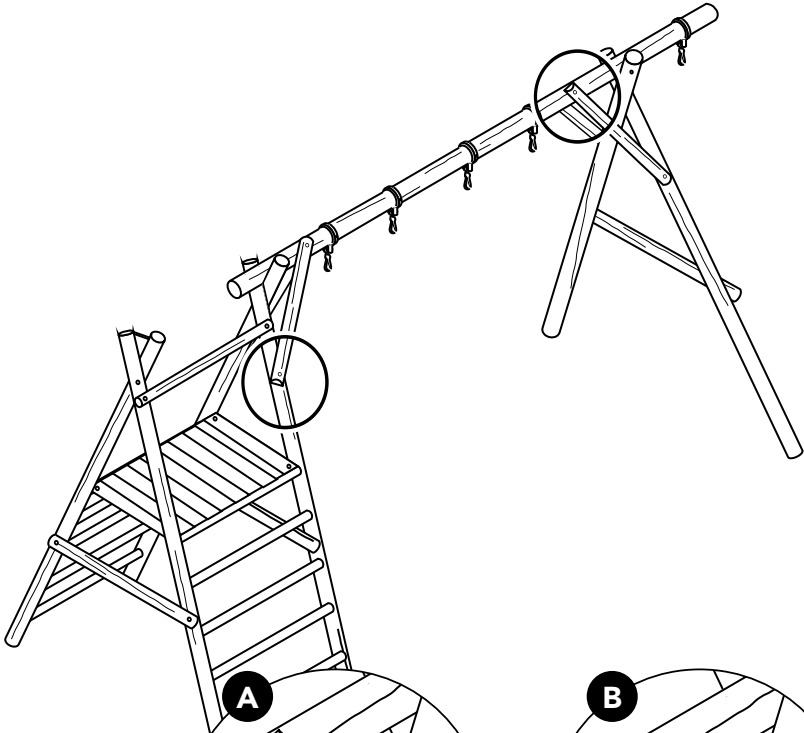
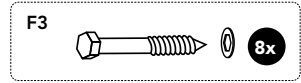
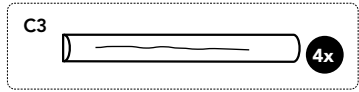
7



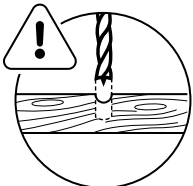
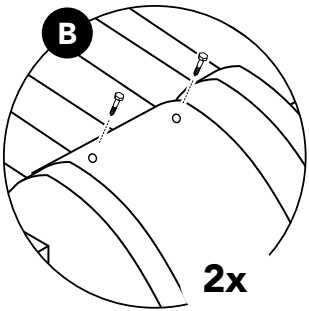
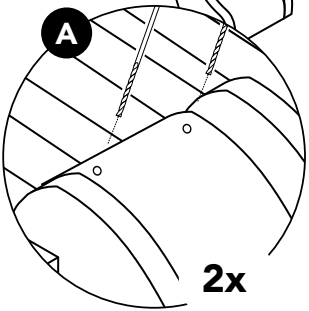
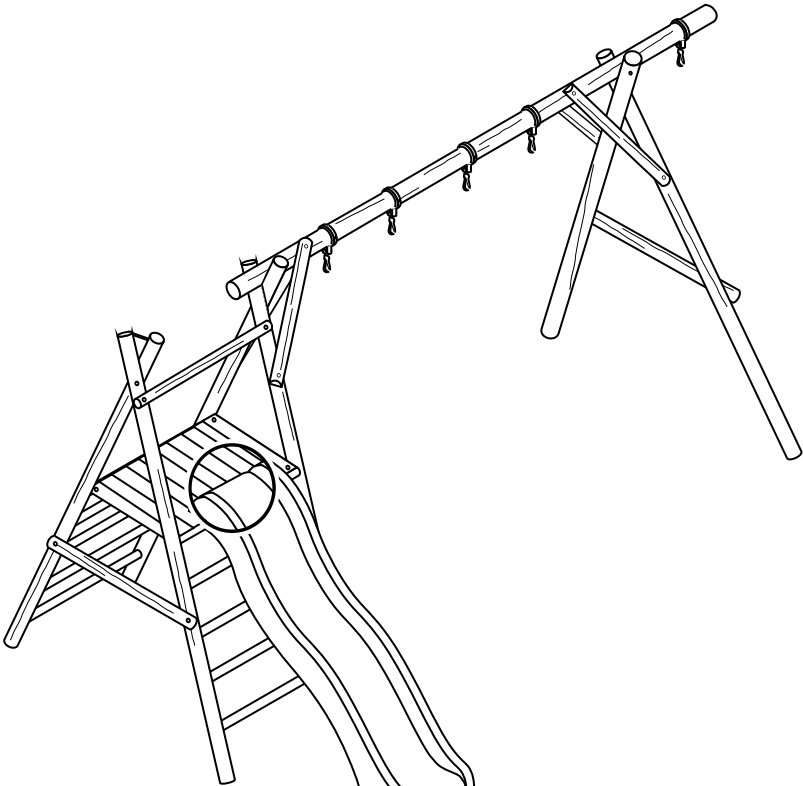
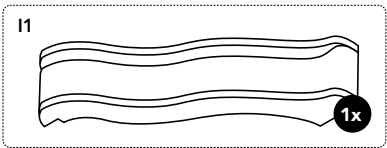
8



9

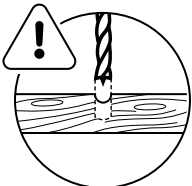
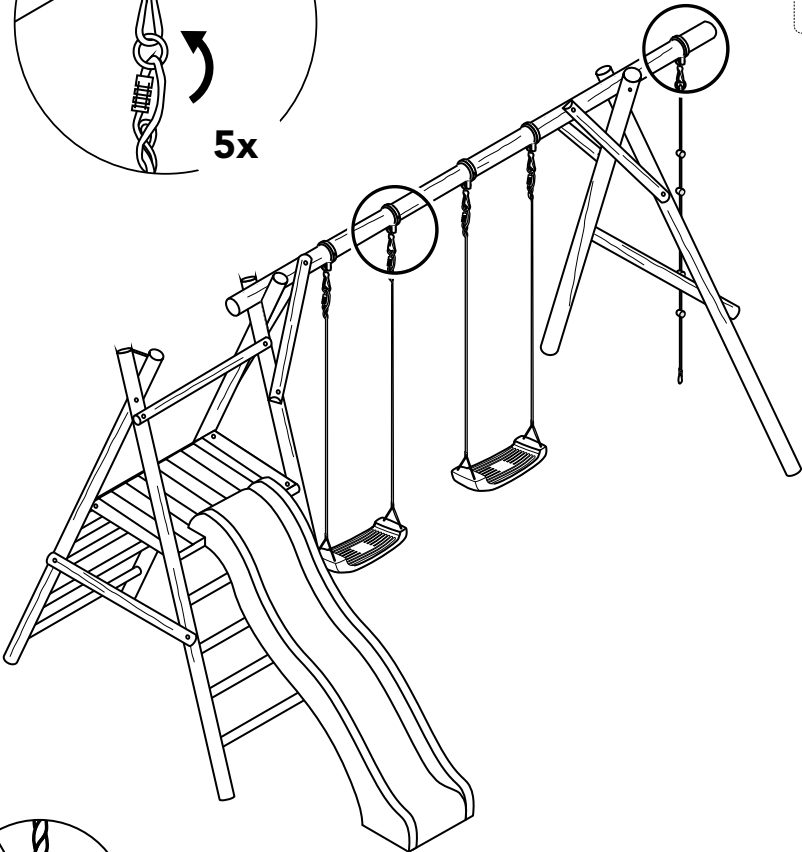
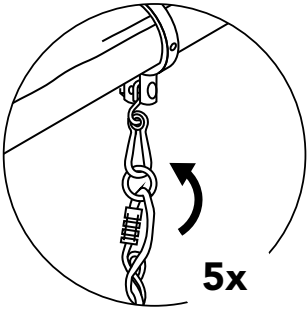
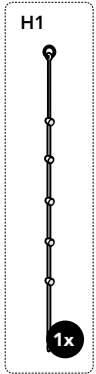
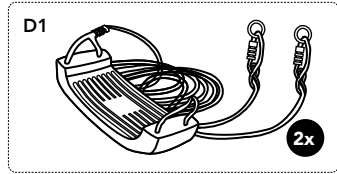


10

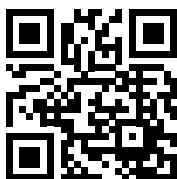


3,5 mm

11



3,5 mm



Scan for terms
and conditions

COLOR	EAN-CODE	ART. NO.
Blue	8717306719414	7880108
Red	8717306720984	7880108.RD
Yellow	8717306720960	7880108.GL
Apple green	8717306720946	7880108.AG
Green	8717306720977	7880108.GR
Turquoise	8717306720991	7880108.TB
Violet	8717306721004	7880108.VI

+31(0)318 692 221
www.swingking.nl

Swing King IS A BRAND OF:

HAPRO INTERNATIONAL



8 717306 719414 >