


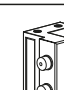

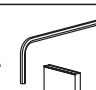
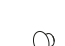







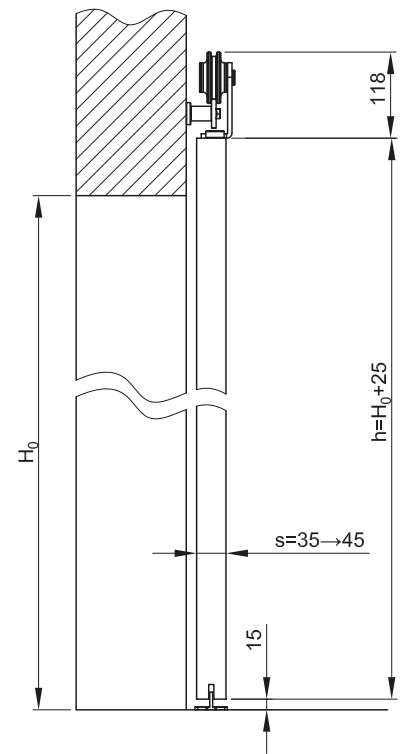
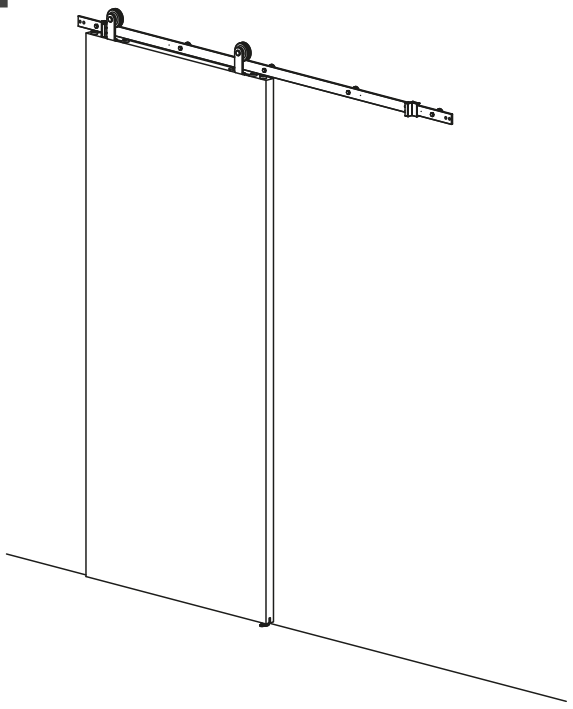


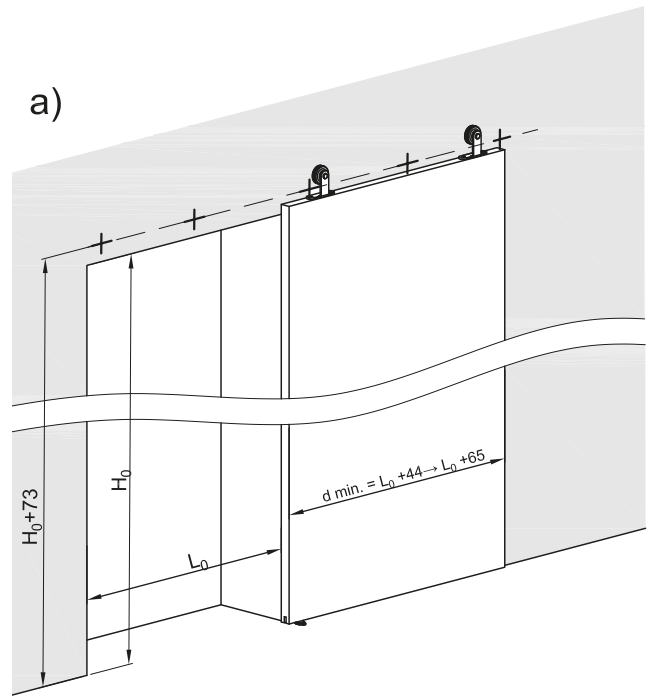


-  x1
-  x2
-  x5
-  x2
-  x2
-  x1
-  Ø6 x4
-  St 6,3x40 x4
-  St8x90 x5
-  M8x30 x5
-  M8x60 x5
-  Ø6x30 x2
-  St4,2x25
-  100 KG

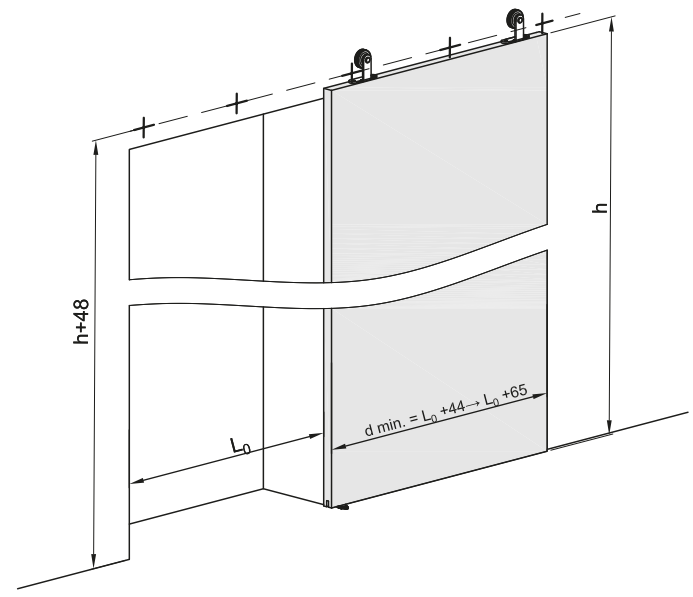
1

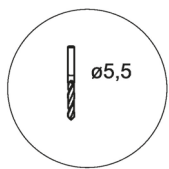


a)

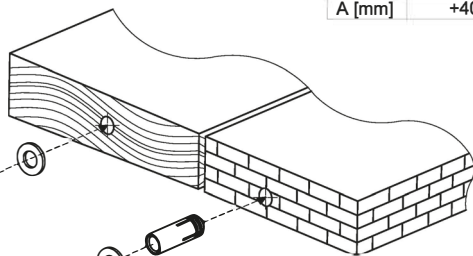


b)

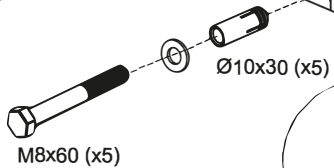




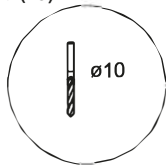
St 8x90 (x5)



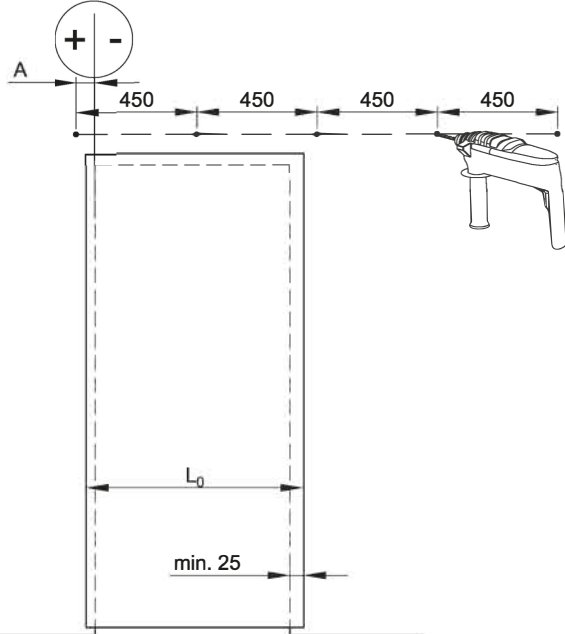
L_0 [mm]	$800 \leq L_0 < 900$	≥ 900
A [mm]	+40	-25



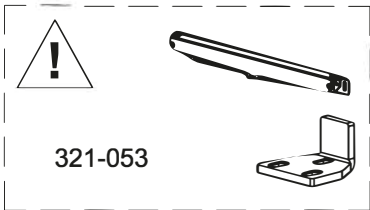
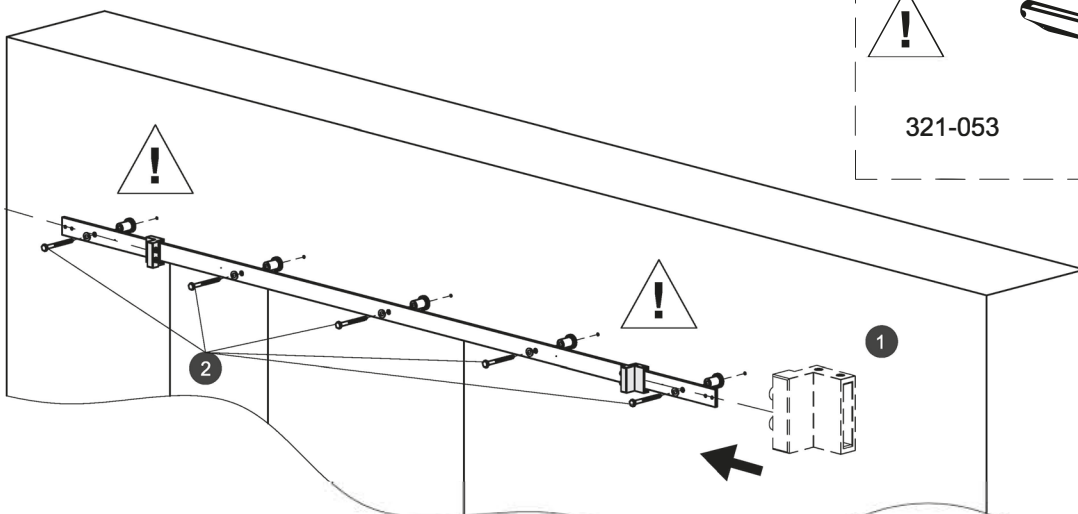
M8x60 (x5)



$\varnothing 10 \times 30$ (x5)

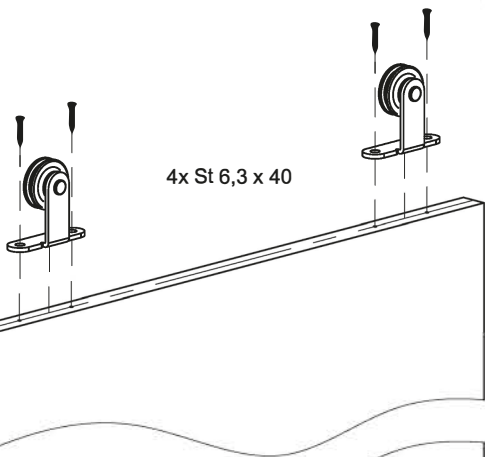


2

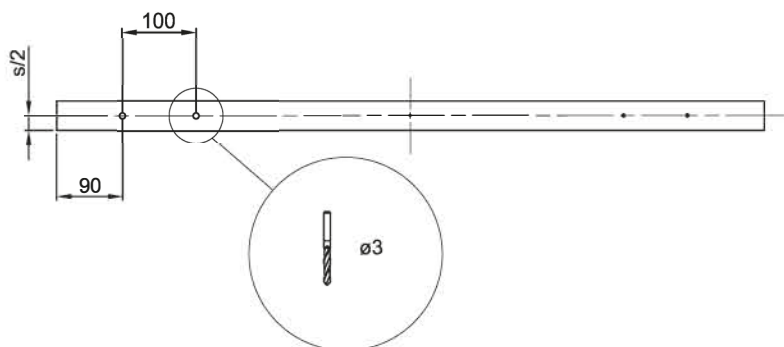
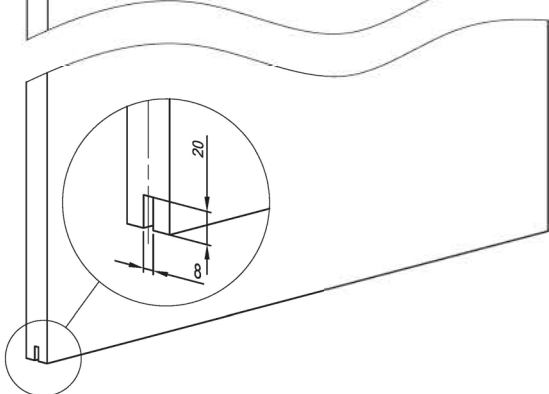
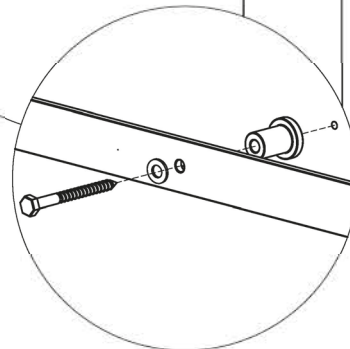


321-053

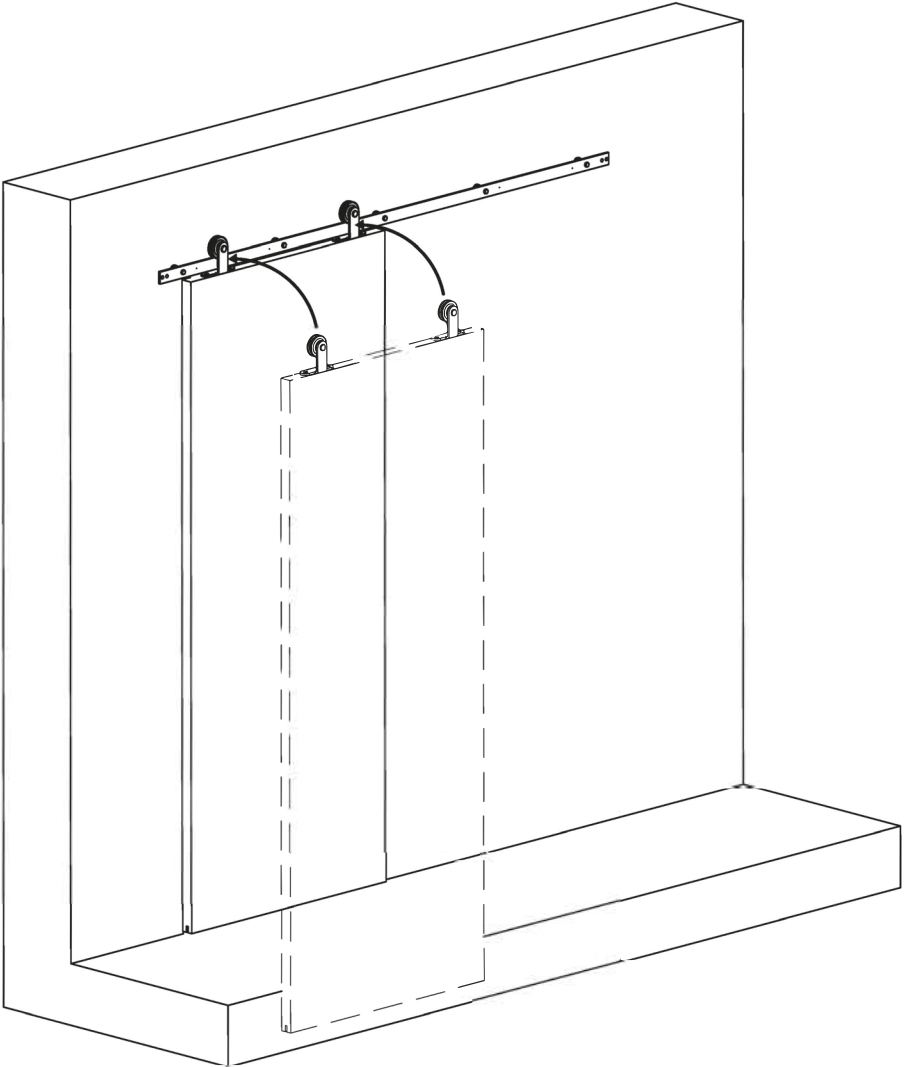
3



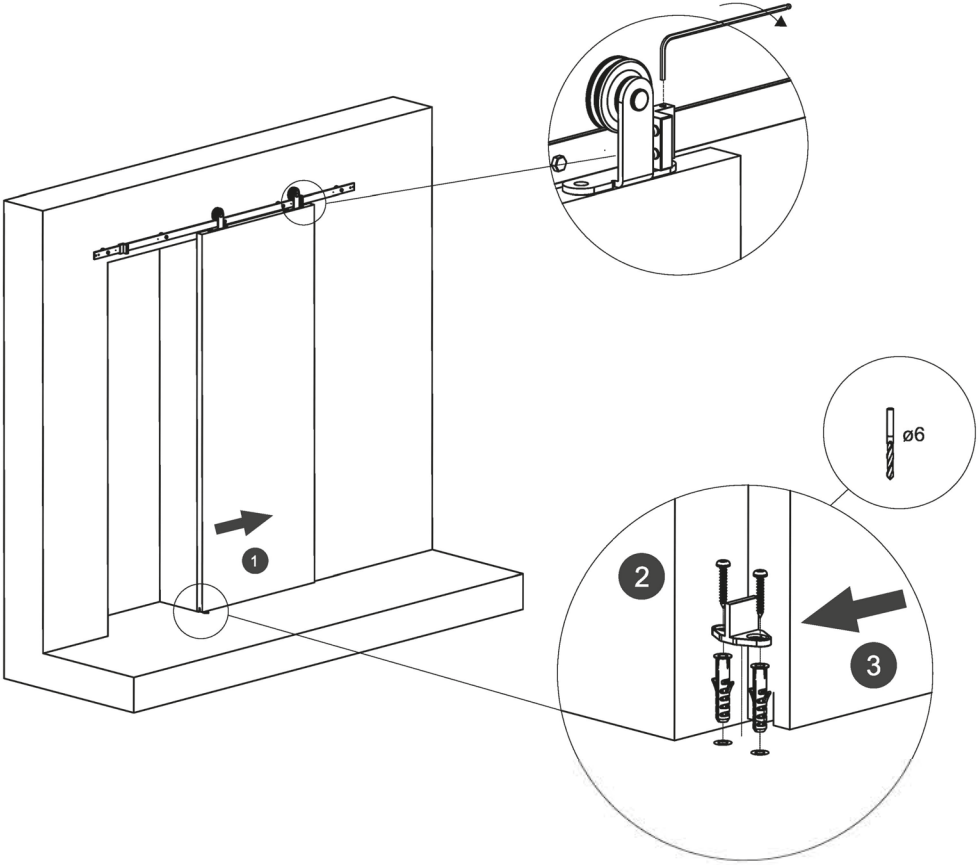
4x St 6,3 x 40



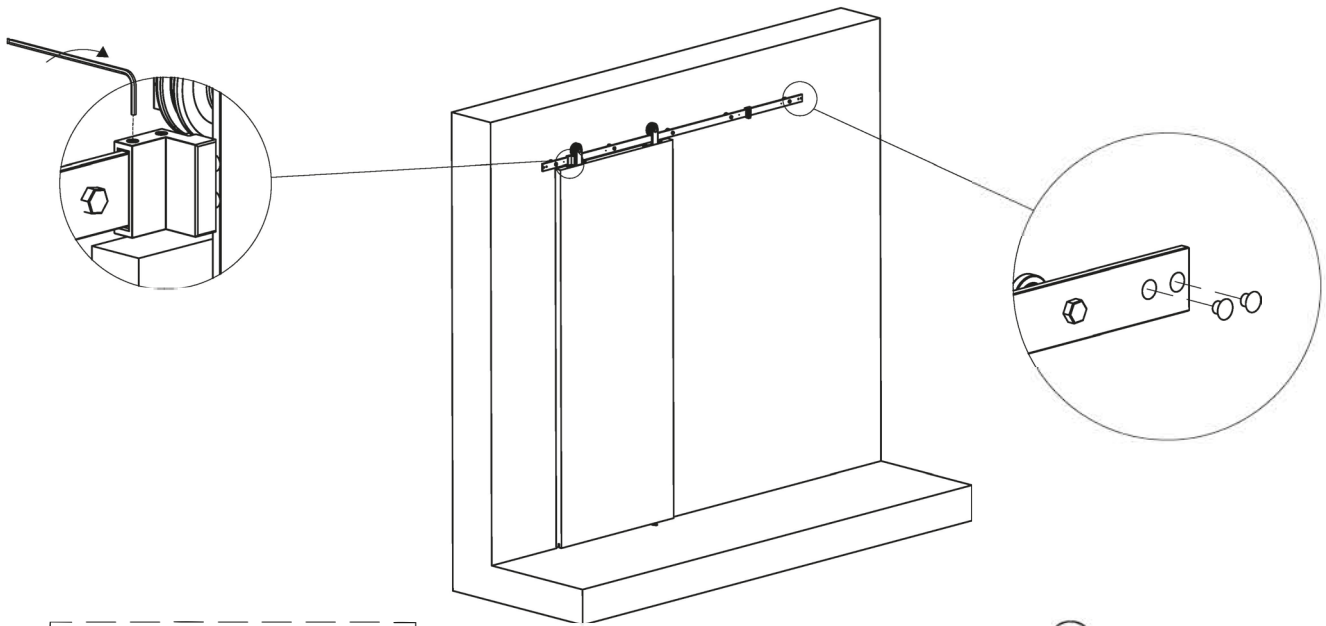
4



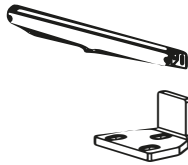
5



6



321-053



7

