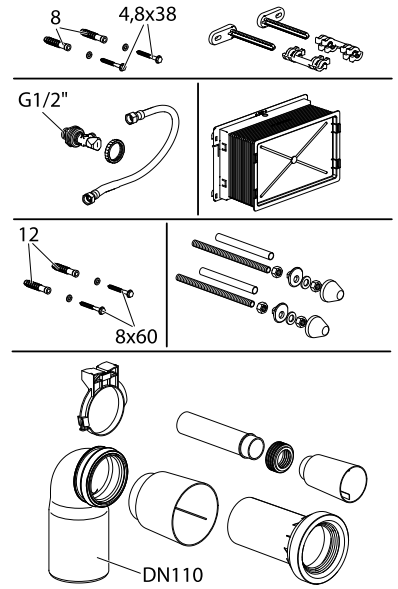
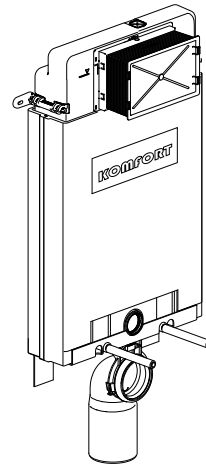
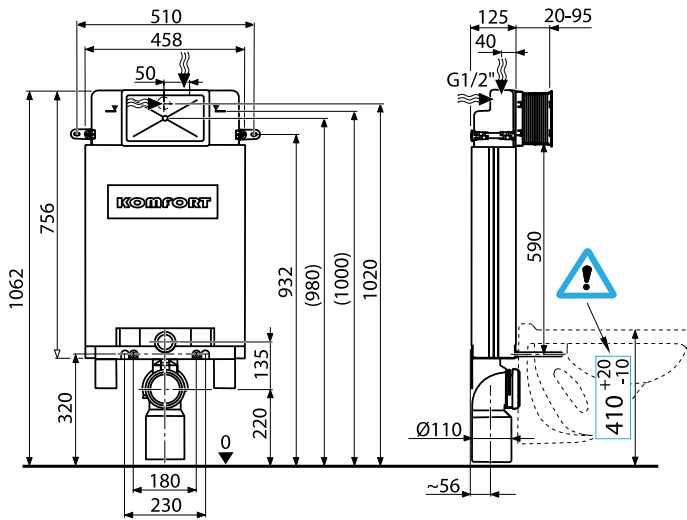


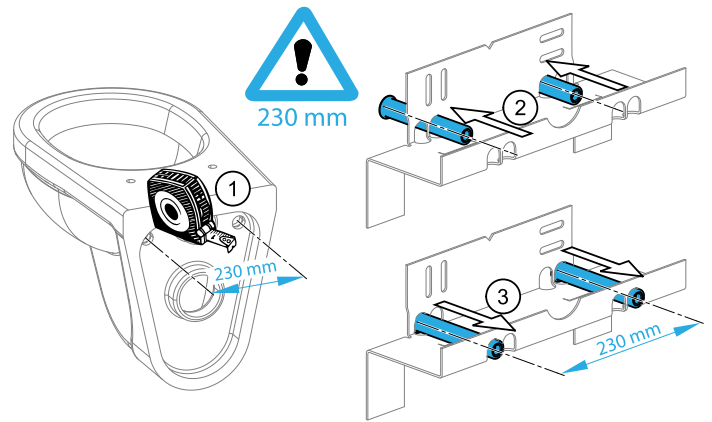
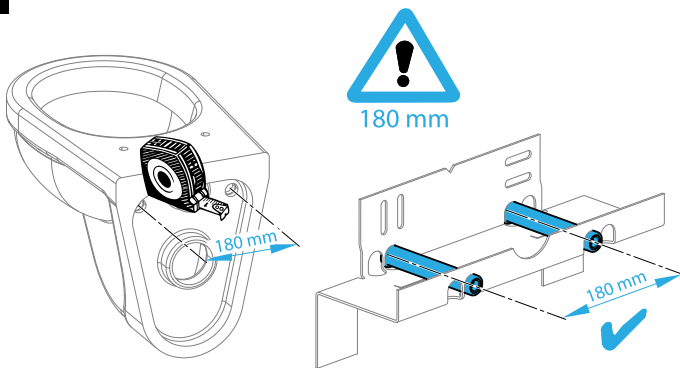


# C100 ■ C200

[ mm ]



1



2

