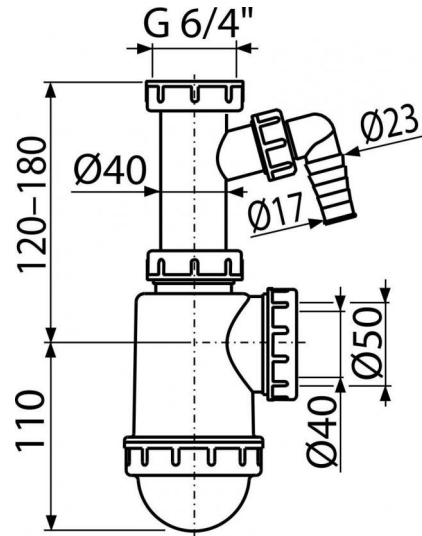


# A443P-DN50/40

Sink trap with coupling nut 6/4" and connector



### Application

For sink

### Features

- Material: polypropylene
- With connector for washing machine or dishwasher
- Waste outlet ready for connection to drain pipe Ø50 mm or Ø40 mm

### Scope of supply

- Nut to connect sink waste 6/4"
- Sink trap body with connector

### Order number, Logistic information

Code	EAN	Weight (kus   packing   palett)	Dimensions (piece   packing)	Quantity (packing   palett)
A443P-DN50/40	8594045937558	50 mm 0,2687   6,4450   200,4600 kg	260x90x140   590x240x390 mm	25   700 pcs

### Guarantee

2/3 years

### Customs code

39229000

### Norms

EN 274

### Technical specifications

- Hose connector 17-23 mm
- Flow rate 44 l/min
- Thermal resistance 95 °C
- Odour trap 53 mm